

Features

- Locking bow secure the Compact Flash card in the connector
- Locking bow must be used in combination with CF050P2-*03-00-DS connectors
- Locking bow is attached after the CF card is inserted into the connector



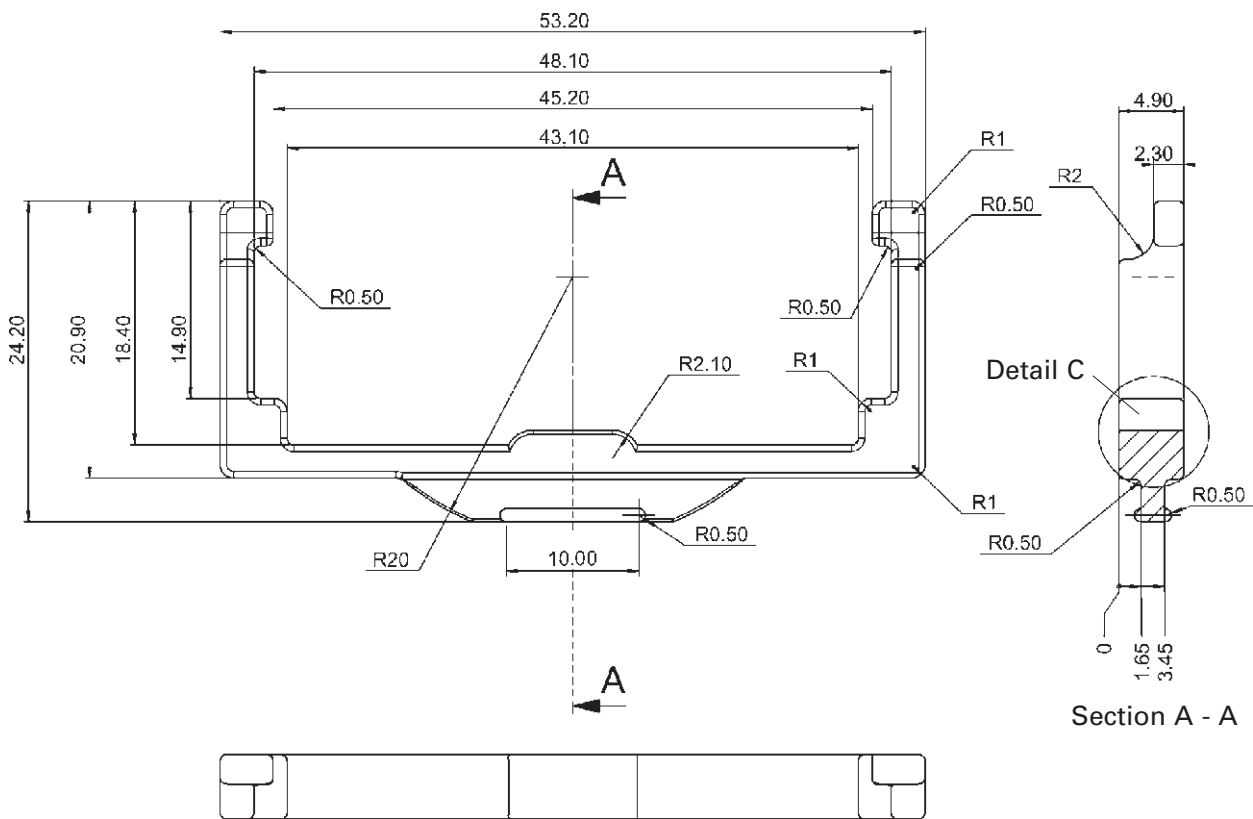
Part Number (Details)

CF 050P2-LT Rev3.0

Series

Design No.

Outline Dimensions



Detail C

