

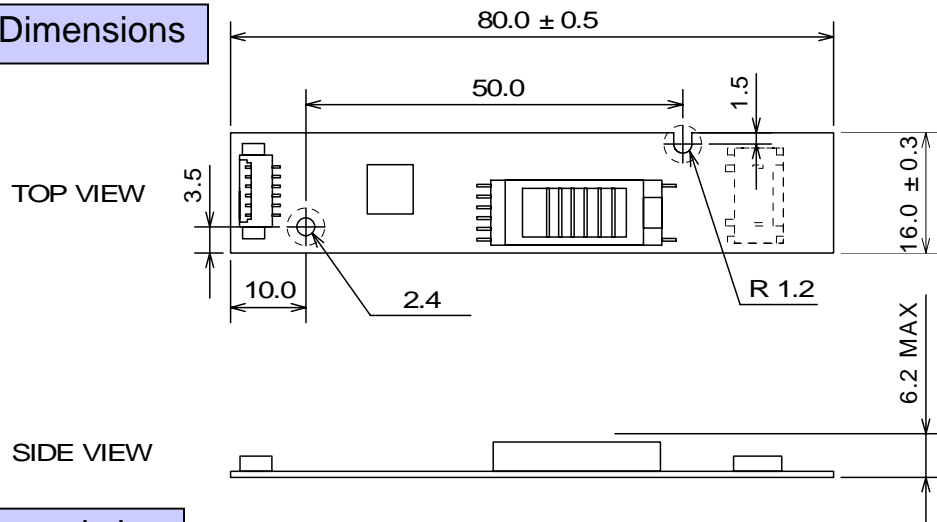
Type : **INVC695**

(2006.1.25)

Features

- 1) Higher efficiency.
- 2) 5V input voltage.
- 3) Very small and low power consumption design.
- 4) Backlight ON or OFF can be controlled by outer signal.
- 5) Dimmable with analog control voltage. (2.5V-0V)

Structure and Dimensions



Electrical characteristics

Type	Input Voltage	Input Current (A)		Output Current (mA)		Suitable LCM
		Dim MAX	Dim MIN	Dim MAX	Dim MIN	
INVC695	5 +/-5%	0.67 (typ)	0.46 (typ)	5.0 (typ)	2.8 (typ)	TX14D12VM1CBA

Input connector Pin

Pin No.	Symbol	Comment
1,2	Vcc	5V (4.75 - 5.25 V)
3	Dim	Brightness MAX : 2.5V~Vcc , MIN : 0V
4	ON/OFF	OFF at Low, ON at 2.5V~Vcc
5,6	GND	GND

Output connector Pin

Pin No.	Signal
1	High V
2	---
3	Low V

Input connector

Input connector	User connector housing
Molex : 53261-0671	Molex : 51021-0600