

Specifications

Insulation Resistance: 1,000MΩ min.
 Withstanding Voltage: 500V AC rms for 1 minute
 Contact Resistance: 40mΩ max. (initial resistance)
 Voltage Rating: 250V AC
 Current Rating: 0.5A
 Operating Temp. Range: -20°C to +60°C

Materials and Finish

Contact: PB / Ni-Au
 Insulator Base: PA, black
 Cover: Stainless Steel

Features

- SMT type terminals
- Acceptable for automation mounting machine
- Space saving design and low profile (2.9mm height)



Part Number (Details)

CN015 RZ - 31 2 3 - 0

Series No.

RZ = 3.3V for SmartMedia Card (3.3V)

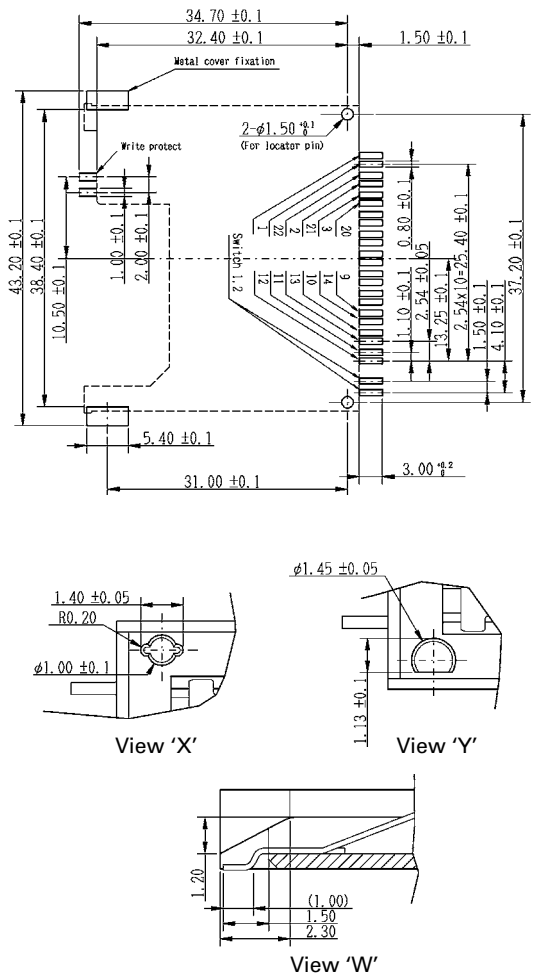
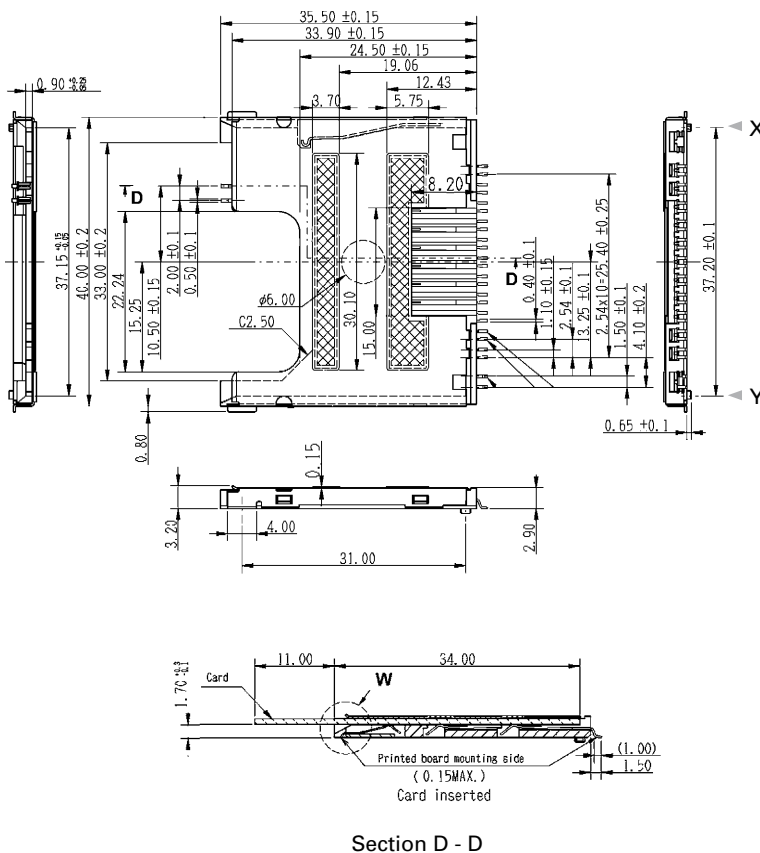
Type 31

PCB Mounting: 3 = SMT Fixing Metal Pads

Height of Stand-off:
 0 = 0.0mm

Type 31 with SMT Metal Pads (3.3V)

Recommended PCB Layout Top View



Note:
 The Switch should be open when card is not inserted, and should be closed when card is inserted

Function Table

Part Number	Voltage of SmartMedia	Ejector	Mis-insertion Protection	Sequential Contact	Write Protection Switch
CN015RZ-3123-0	3.3V	No	Yes	Yes	Yes

CN015 Series - Type 31

Direct Mounting with Metal Cover (w/o Ejector)

Specifications

Insulation Resistance: 1,000MΩ min.
 Withstanding Voltage: 500V AC rms for 1 minute
 Contact Resistance: 40mΩ max. (Initial resistance)
 Voltage Rating: 250V AC
 Current Rating: 0.5A
 Operating Temp. Range: -20°C to +60°C

Materials and Finish

Contact: Copper Alloy (contact position Gold Plating)
 Insulator Base: Synthetic Resin (black), UL94V-0
 Power Switch Contact: Copper Alloy (contact position Gold Plating)
 Polarity Key: Stainless Steel
 Cover: Stainless Steel

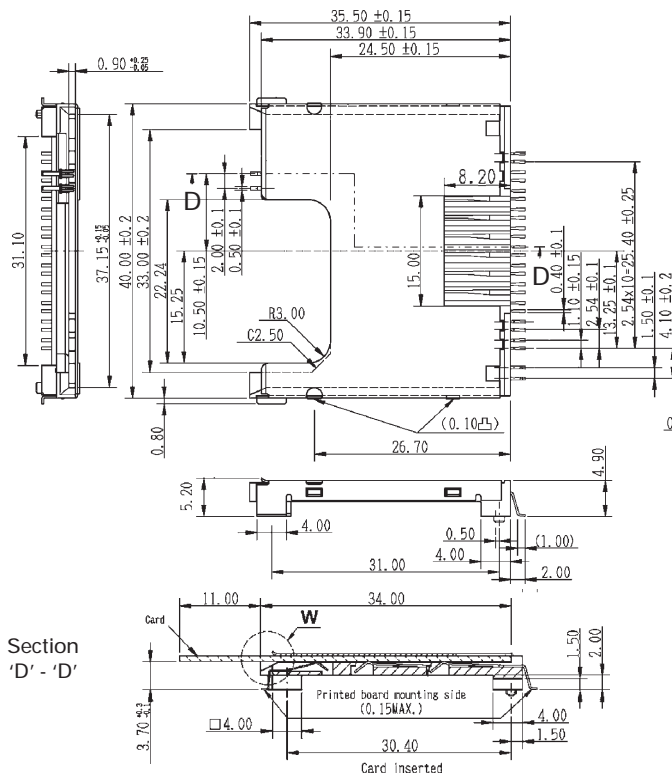


Features

- ◇ SMT type terminals
- ◇ Acceptable for automation mounting machine
- ◇ Space saving design with 2.0mm Stand-off height



Type 31 with SMT Metal Pads (3.3V)



Part Number (Details)

CN015 RZ - 31 1 3 - 2

Series No.

RZ = 3.3V for SmartMedia Card (3.3V)

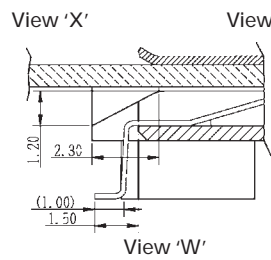
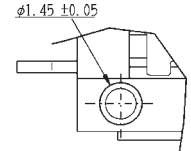
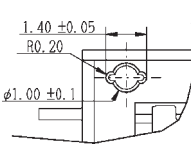
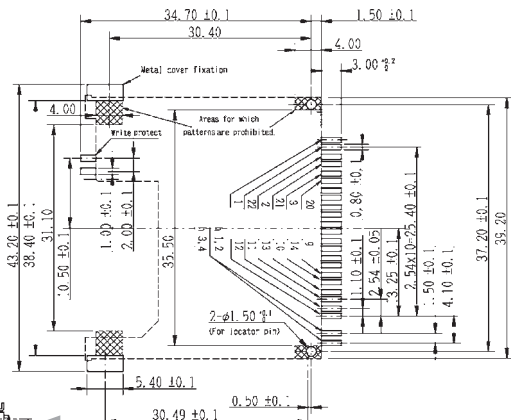
Type 31

PCB Mounting: 3 = SMT Fixing Metal Pads

Height of Stand-off = 2.00mm

Recommended PCB Layout

Top View



Info:
 The Switch should be open when card is not inserted, and should be closed when card is inserted

Function Table

Part Number	Voltage of SmartMedia	Ejector	Mis-insertion Protection	Sensor Switch (See Note)	Write Protection Switch	Pieces per Tray
CN015RZ-3113-2	3.3V	No	Yes	Yes	Yes	10 pcs.



