

NEC

User's Manual

IE-78K0-NS-P01

I/O Board

Target Devices
78K/0 Subseries

Document No. U16106EJ1V0UM00 (1st edition)
Date Published June 2002 N CP(K)

© NEC Corporation 2002
Printed in Japan

[MEMO]

Windows is either a registered trademark or a trademark of Microsoft Corporation in the United States and/or other countries.

PC/AT is a trademark of International Business Machines Corporation.

- **The information in this document is current as of March, 2002. The information is subject to change without notice. For actual design-in, refer to the latest publications of NEC's data sheets or data books, etc., for the most up-to-date specifications of NEC semiconductor products. Not all products and/or types are available in every country. Please check with an NEC sales representative for availability and additional information.**

- No part of this document may be copied or reproduced in any form or by any means without prior written consent of NEC. NEC assumes no responsibility for any errors that may appear in this document.
- NEC does not assume any liability for infringement of patents, copyrights or other intellectual property rights of third parties by or arising from the use of NEC semiconductor products listed in this document or any other liability arising from the use of such products. No license, express, implied or otherwise, is granted under any patents, copyrights or other intellectual property rights of NEC or others.
- Descriptions of circuits, software and other related information in this document are provided for illustrative purposes in semiconductor product operation and application examples. The incorporation of these circuits, software and information in the design of customer's equipment shall be done under the full responsibility of customer. NEC assumes no responsibility for any losses incurred by customers or third parties arising from the use of these circuits, software and information.
- While NEC endeavours to enhance the quality, reliability and safety of NEC semiconductor products, customers agree and acknowledge that the possibility of defects thereof cannot be eliminated entirely. To minimize risks of damage to property or injury (including death) to persons arising from defects in NEC semiconductor products, customers must incorporate sufficient safety measures in their design, such as redundancy, fire-containment, and anti-failure features.
- NEC semiconductor products are classified into the following three quality grades:
"Standard", "Special" and "Specific". The "Specific" quality grade applies only to semiconductor products developed based on a customer-designated "quality assurance program" for a specific application. The recommended applications of a semiconductor product depend on its quality grade, as indicated below. Customers must check the quality grade of each semiconductor product before using it in a particular application.

"Standard": Computers, office equipment, communications equipment, test and measurement equipment, audio and visual equipment, home electronic appliances, machine tools, personal electronic equipment and industrial robots

"Special": Transportation equipment (automobiles, trains, ships, etc.), traffic control systems, anti-disaster systems, anti-crime systems, safety equipment and medical equipment (not specifically designed for life support)

"Specific": Aircraft, aerospace equipment, submersible repeaters, nuclear reactor control systems, life support systems and medical equipment for life support, etc.

The quality grade of NEC semiconductor products is "Standard" unless otherwise expressly specified in NEC's data sheets or data books, etc. If customers wish to use NEC semiconductor products in applications not intended by NEC, they must contact an NEC sales representative in advance to determine NEC's willingness to support a given application.

(Note)

(1) "NEC" as used in this statement means NEC Corporation and also includes its majority-owned subsidiaries.

(2) "NEC semiconductor products" means any semiconductor product developed or manufactured by or for NEC (as defined above).

M8E 00.4

Regional Information

Some information contained in this document may vary from country to country. Before using any NEC product in your application, please contact the NEC office in your country to obtain a list of authorized representatives and distributors. They will verify:

- Device availability
- Ordering information
- Product release schedule
- Availability of related technical literature
- Development environment specifications (for example, specifications for third-party tools and components, host computers, power plugs, AC supply voltages, and so forth)
- Network requirements

In addition, trademarks, registered trademarks, export restrictions, and other legal issues may also vary from country to country.

NEC Electronics Inc. (U.S.)

Santa Clara, California
Tel: 408-588-6000
800-366-9782
Fax: 408-588-6130
800-729-9288

NEC do Brasil S.A.

Electron Devices Division
Guarulhos-SP, Brasil
Tel: 11-6462-6810
Fax: 11-6462-6829

NEC Electronics (Europe) GmbH

Duesseldorf, Germany
Tel: 0211-65 03 01
Fax: 0211-65 03 327

• Sucursal en España

Madrid, Spain
Tel: 091-504 27 87
Fax: 091-504 28 60

• Succursale Française

Vélizy-Villacoublay, France
Tel: 01-30-67 58 00
Fax: 01-30-67 58 99

• Filiale Italiana

Milano, Italy
Tel: 02-66 75 41
Fax: 02-66 75 42 99

• Branch The Netherlands

Eindhoven, The Netherlands
Tel: 040-244 58 45
Fax: 040-244 45 80

• Branch Sweden

Taeby, Sweden
Tel: 08-63 80 820
Fax: 08-63 80 388

• United Kingdom Branch

Milton Keynes, UK
Tel: 01908-691-133
Fax: 01908-670-290

NEC Electronics Hong Kong Ltd.

Hong Kong
Tel: 2886-9318
Fax: 2886-9022/9044

NEC Electronics Hong Kong Ltd.

Seoul Branch
Seoul, Korea
Tel: 02-528-0303
Fax: 02-528-4411

NEC Electronics Shanghai, Ltd.

Shanghai, P.R. China
Tel: 021-6841-1138
Fax: 021-6841-1137

NEC Electronics Taiwan Ltd.

Taipei, Taiwan
Tel: 02-2719-2377
Fax: 02-2719-5951

NEC Electronics Singapore Pte. Ltd.

Novena Square, Singapore
Tel: 253-8311
Fax: 250-3583

INTRODUCTION

Product Overview

The IE-78K0-NS-P01 is designed to be used with an in-circuit emulator (IE-78K0-NS or IE-78K0-NS-A) and emulation board (IE-780xxx-NS-EM4) to debug 78K/0 Series 8-bit single-chip microcontrollers.

Target Readers

This manual is intended for engineers who will use an in-circuit emulator (IE-78K0-NS or IE-78K0-NS-A) and emulation board (IE-780xxx-NS-EM4) with the IE-78K0-NS-P01 to perform system debugging.

Engineers who use this manual are expected to be thoroughly familiar with the target device's functions and usage methods and to be knowledgeable about debugging.

Organization

When using the IE-78K0-NS-P01, refer to not only this manual (supplied with the IE-78K0-NS-P01) but also the manuals that are supplied with the in-circuit emulator (IE-78K0-NS or IE-78K0-NS-A) and the emulation board (IE-780xxx-NS-EM4).

The IE-78K0-NS used in combination with the IE-78K0-NS-PA is functionally equivalent to the IE-78K0-NS-A. Therefore, as necessary, read IE-78K0-NS + IE-78K0-NS-PA for IE-78K0-NS-A in this document.

IE-78K0-NS or IE-78K0-NS-A
User's Manual

- Basic specifications
- System configuration
- External interface functions

IE-780xxx-NS-EM4
User's Manual

- General
- Part names
- Installation
- Differences between target devices and target interface circuits

IE-78K0-NS-P01
User's Manual

- General
- Part names
- Installation

Purpose

This manual's purpose is to explain various debugging functions that can be performed when using the IE-78K0-NS-P01.

Terminology

The meanings of certain terms used in this manual are listed below.

Term	Meaning
Target device	This is the device that is the target for emulation.
Target system	This includes the target program and the hardware provided by the user. When defined narrowly, it includes only the hardware.
IE system	This refers to the combination of an in-circuit emulator (IE-78K0-NS or IE-78K0-NS-A), I/O board (IE-78K0-NS-P01), and emulation board (IE-780xxx-NS-EM4).

Conventions

Data significance: Higher digits on the left and lower digits on the right

Note: Footnote for item marked with **Note** in the text

Caution: Information requiring particular attention

Remark: Supplementary information

Related Documents

The related documents (user's manuals) indicated in this publication may include preliminary versions. However, preliminary versions are not marked as such.

Document Name	Document No.
IE-78K0-NS	U13731E
IE-78K0-NS-A	U14889E
IE-78K0-NS-P01	This manual
ID78K Series Integrated Debugger Ver. 2.30 or Later Operation Windows™ Based	U15185E

Caution The documents listed above are subject to change without notice. Be sure to use the latest documents when designing.

CONTENTS

CHAPTER 1 GENERAL	9
1.1 System Configuration	10
1.2 Hardware Configuration	12
CHAPTER 2 PART NAMES	13
2.1 Parts of Main Unit	14
CHAPTER 3 INSTALLATION	16
3.1 Connection	17
3.2 Clock Settings	18

LIST OF FIGURES

Figure No.	Title	Page
1-1	System Configuration	10
1-2	Basic Hardware Configuration (Using IE-78K0-NS)	12
1-3	Basic Hardware Configuration (Using IE-78K0-NS-A).....	12
2-1	Side Connected to IE-780xxx-NS-EM4.....	14
2-2	Side Connected to IE-78K0-NS or IE-78K0-NS-A	15

CHAPTER 1 GENERAL

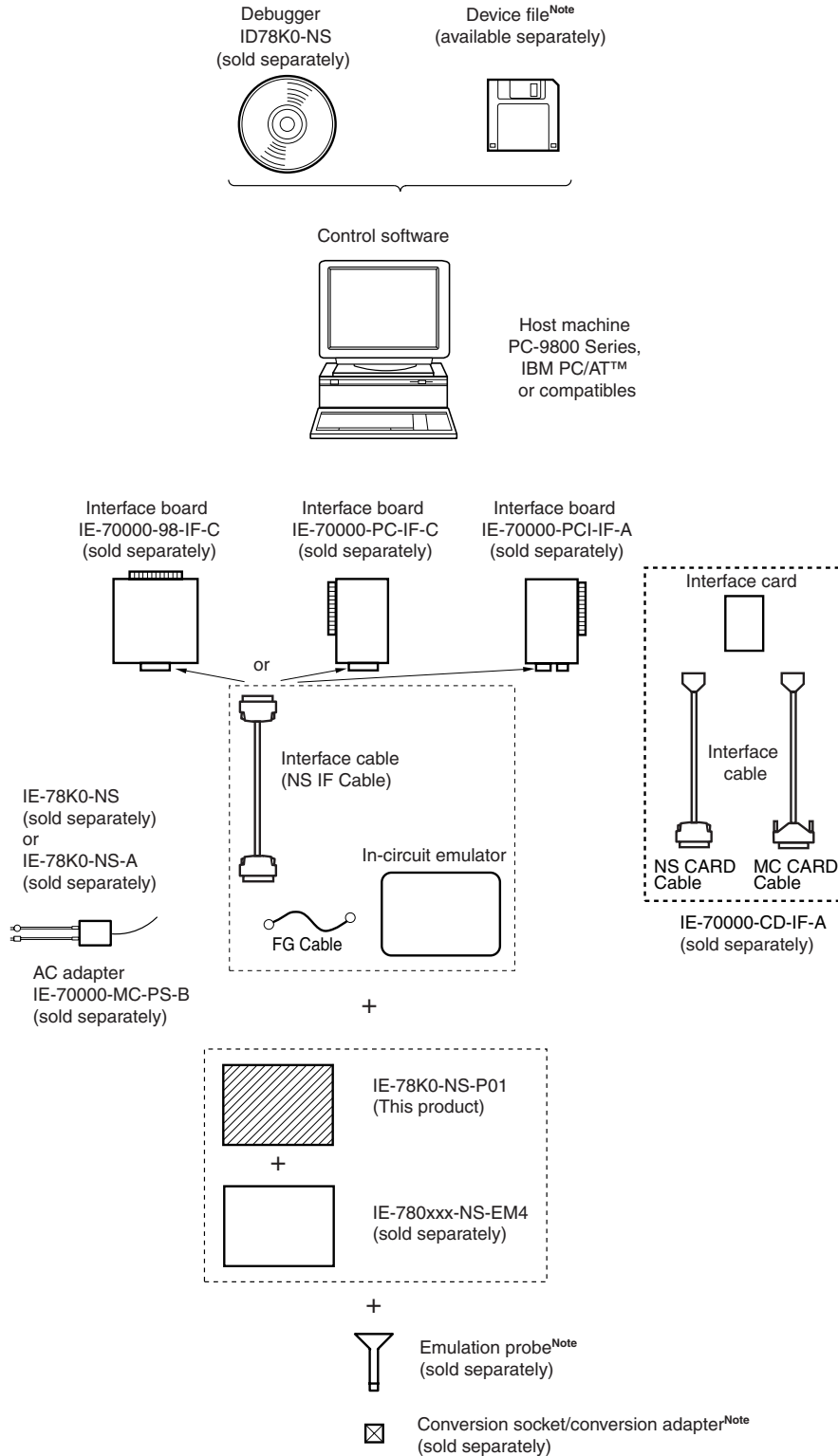
The IE-78K0-NS-P01 is a development tool for efficient debugging of hardware or software when using a 78K/0 Series 8-bit single-chip microcontroller.

This chapter describes the IE-78K0-NS-P01 system configuration and hardware configuration.

1.1 System Configuration

Figure 1-1 illustrates the IE-78K0-NS-P01 system configuration.

Figure 1-1. System Configuration



Note For the device file, emulation probe, and conversion socket/conversion adapter, refer to the user's manual that comes with the IE-780xxx-NS-EM4.

1.2 Hardware Configuration

Figures 1-2 and 1-3 show the IE-78K0-NS-P01's position in the basic hardware configuration.

Figure 1-2. Basic Hardware Configuration (Using IE-78K0-NS)

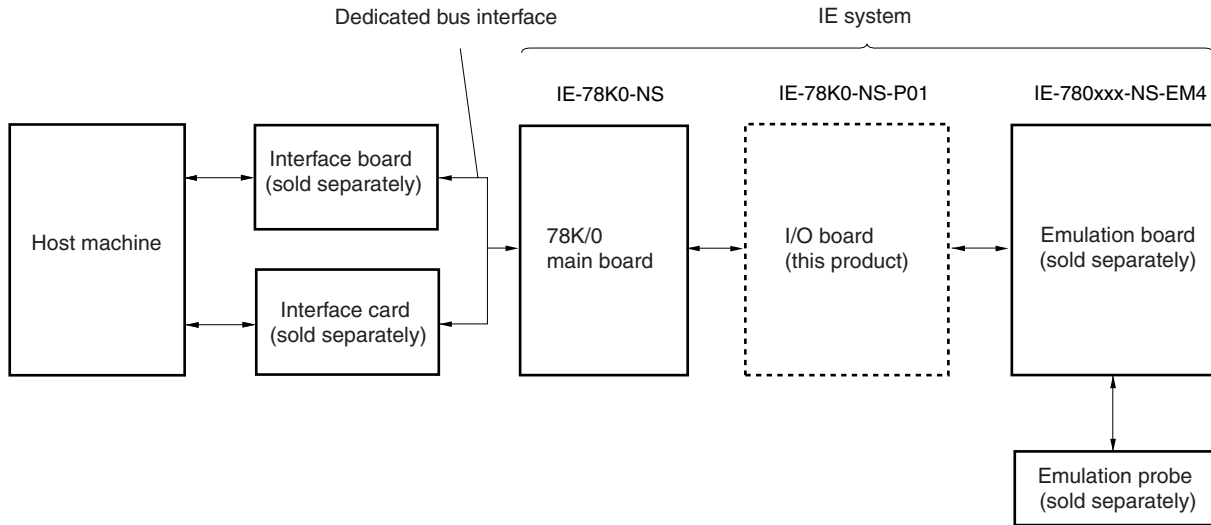
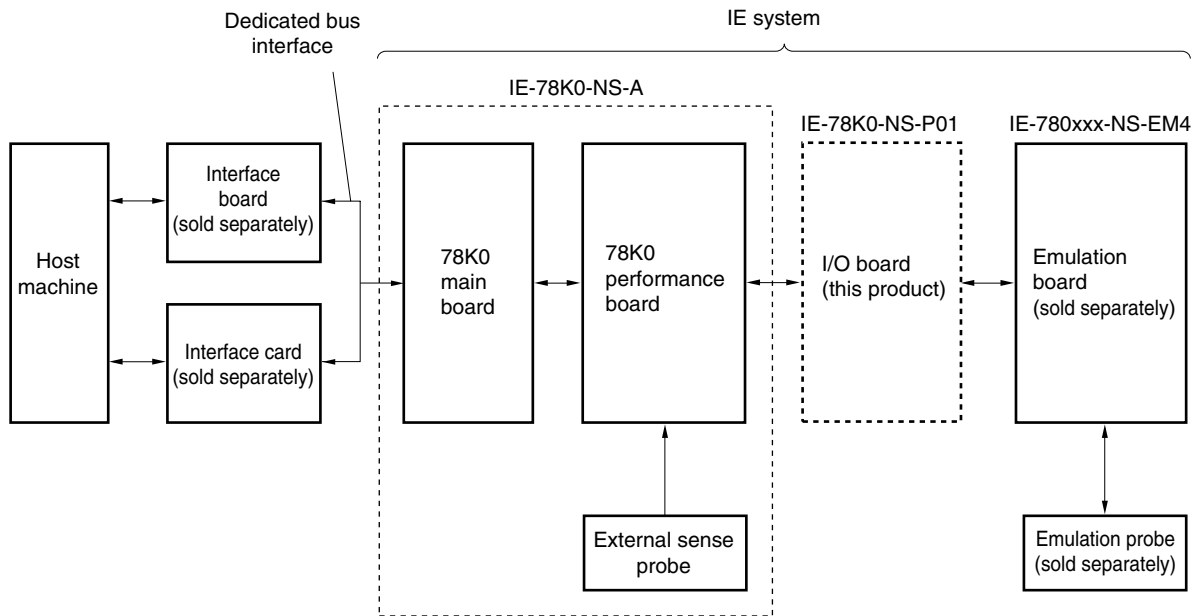


Figure 1-3. Basic Hardware Configuration (Using IE-78K0-NS-A)



CHAPTER 2 PART NAMES

This chapter introduces the parts of the IE-78K0-NS-P01 main unit.

The packing box contains the I/O board (IE-78K0-NS-P01), packing list, user's manual, and guarantee card.

If there are any missing or damaged items, please contact an NEC sales representative.

Fill out and return the guarantee card that comes with the main unit.

2.1 Parts of Main Unit

Figure 2-1. Side Connected to IE-780xxx-NS-EM4

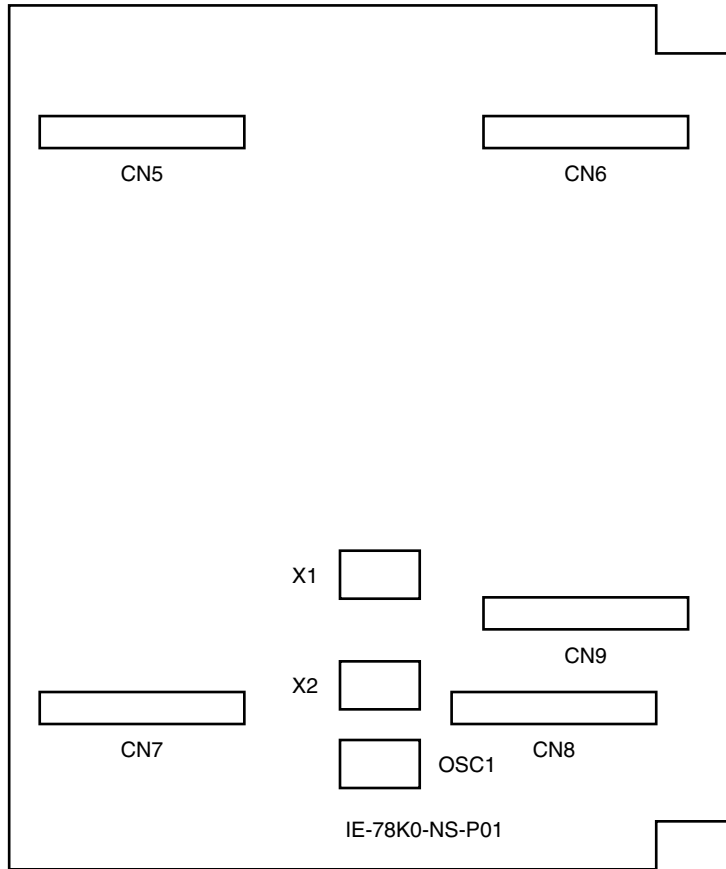
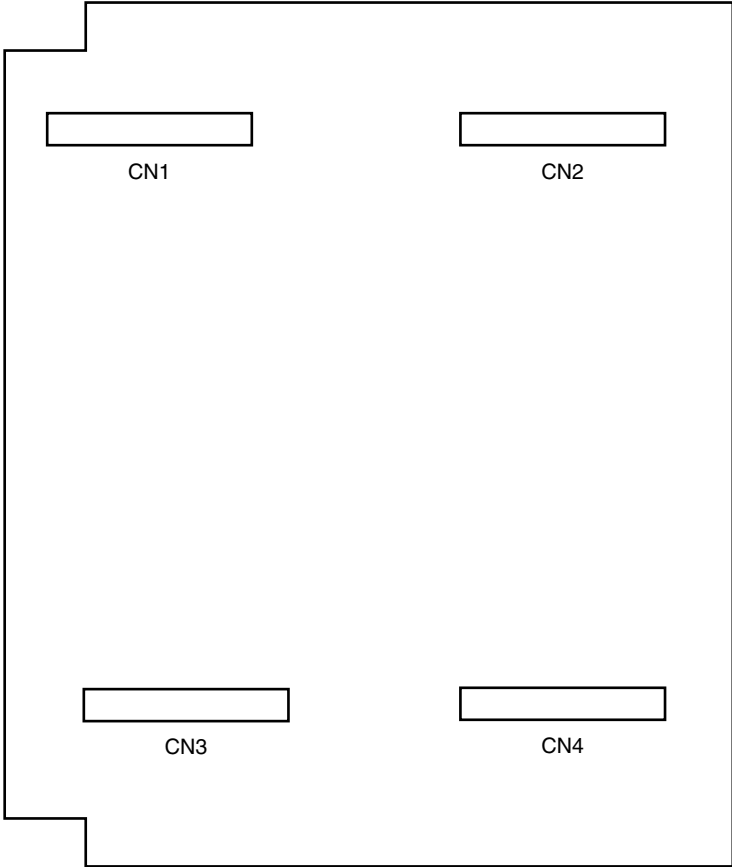


Figure 2-2. Side Connected to IE-78K0-NS or IE-78K0-NS-A



CHAPTER 3 INSTALLATION

This chapter describes methods for connecting the IE-78K0-NS-P01 to the in-circuit emulator (IE-78K0-NS or IE-78K0-NS-A), emulation probe, etc. Mode setting methods are also described.

Caution Connecting or removing components to or from the target system, or making switch or other setting changes must be carried out after the power supply to both the IE system and the target system has been switched OFF.

3.1 Connection

See the **IE-78K0-NS User's Manual (U13731E)** for a description of how to connect the IE-78K0-NS-P01 to the IE-78K0-NS and IE-780xxx-NS-EM4.

See the **IE-78K0-NS-A User's Manual (U14889E)** for a description of how to connect the IE-78K0-NS-P01 to the IE-78K0-NS-A and IE-780xxx-NS-EM4.

Caution **Incorrect connection may damage the IE system.**
Be sure to read the user's manual of each product for a detailed description of the connection method.

3.2 Clock Settings

The IE-78K0-NS-P01 includes the following oscillator and parts boards for the clock.

- (1) 8.388608 MHz (OSC1) (fixed mounting)
- (2) Parts board for clock (X1)
- (3) Parts board for clock (X2)

For the clock setting procedure of the IE-78K0-NS-P01, refer to the user's manual of the IE-78K0xxx-NS-EM4 to be used. If no instructions regarding clock settings are provided in the user's manual of the IE-78K0xxx-NS-EM4 to be used, clock setting is not necessary in the IE-78K0-NS-P01. Leave the parts boards for the clocks, X1 and X2, mounted in the IE-78K0-NS-P01 as they are.

Facsimile Message

Although NEC has taken all possible steps to ensure that the documentation supplied to our customers is complete, bug free and up-to-date, we readily accept that errors may occur. Despite all the care and precautions we've taken, you may encounter problems in the documentation. Please complete this form whenever you'd like to report errors or suggest improvements to us.

From:

Name

Company

Tel.

FAX

Address

Thank you for your kind support.

North America

NEC Electronics Inc.
Corporate Communications Dept.
Fax: +1-800-729-9288
+1-408-588-6130

Hong Kong, Philippines, Oceania

NEC Electronics Hong Kong Ltd.
Fax: +852-2886-9022/9044

Taiwan

NEC Electronics Taiwan Ltd.
Fax: +886-2-2719-5951

Europe

NEC Electronics (Europe) GmbH
Market Communication Dept.
Fax: +49-211-6503-274

Korea

NEC Electronics Hong Kong Ltd.
Seoul Branch
Fax: +82-2-528-4411

Asian Nations except Philippines

NEC Electronics Singapore Pte. Ltd.
Fax: +65-250-3583

South America

NEC do Brasil S.A.
Fax: +55-11-6462-6829

P.R. China

NEC Electronics Shanghai, Ltd.
Fax: +86-21-6841-1137

Japan

NEC Semiconductor Technical Hotline
Fax: +81- 44-435-9608

I would like to report the following error/make the following suggestion:

Document title: _____

Document number: _____ Page number: _____

If possible, please fax the referenced page or drawing.

Document Rating	Excellent	Good	Acceptable	Poor
Clarity	<input type="checkbox"/>	<input type="checkbox"/>	<input type="checkbox"/>	<input type="checkbox"/>
Technical Accuracy	<input type="checkbox"/>	<input type="checkbox"/>	<input type="checkbox"/>	<input type="checkbox"/>
Organization	<input type="checkbox"/>	<input type="checkbox"/>	<input type="checkbox"/>	<input type="checkbox"/>