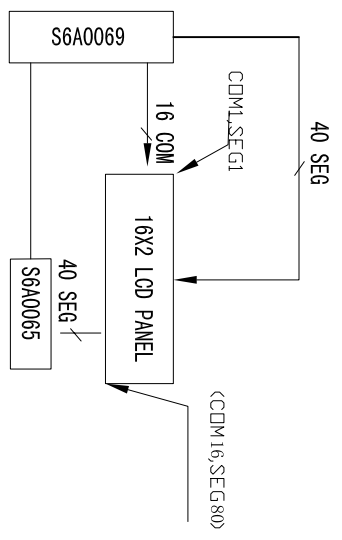
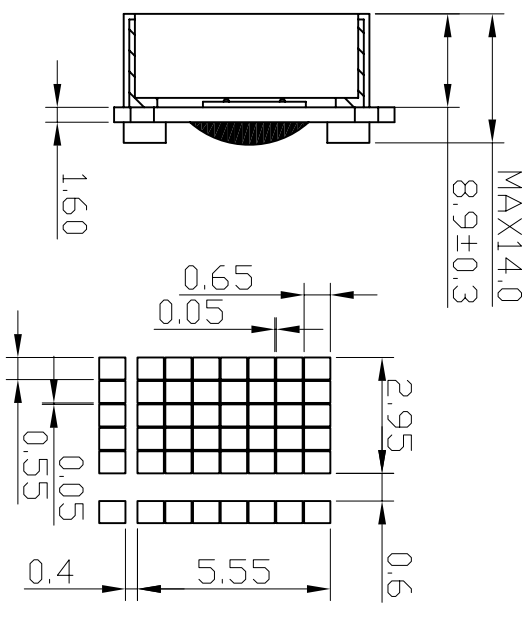
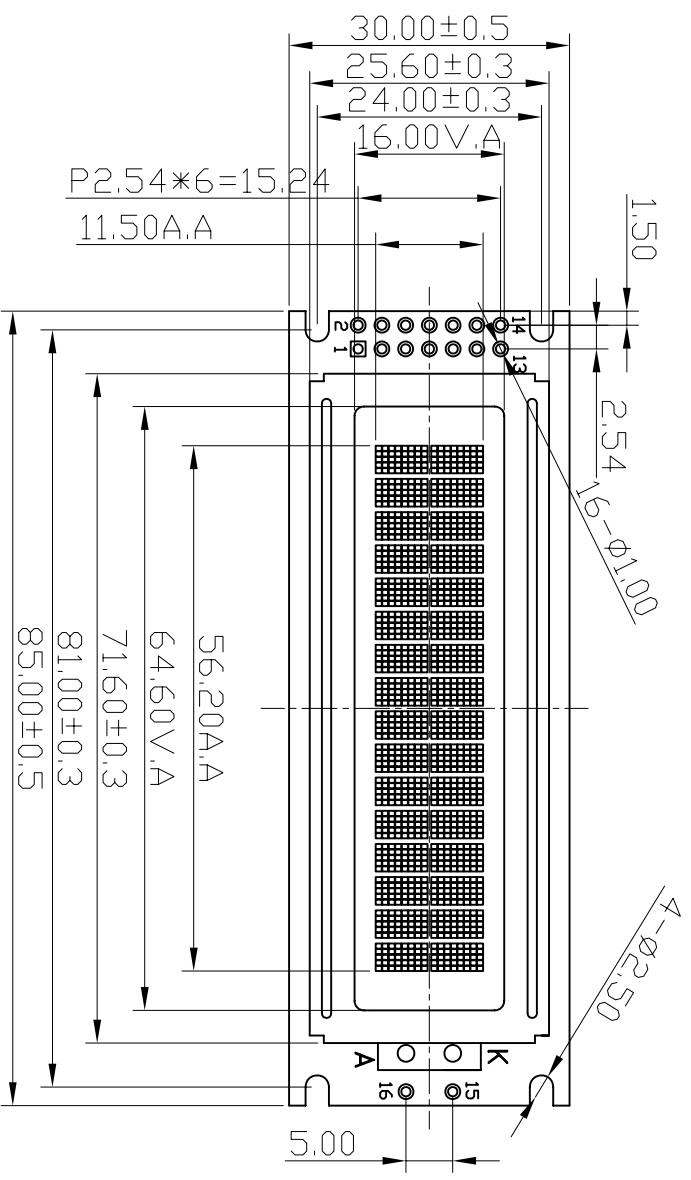


| REV. | CHANGE CONTENT | BY | DATE |
|------|----------------|----|------|
| | | | |
| | | | |
| | | | |



| PIN | 1 | 2 | 3 | 4 | 5 | 6 | 7 | 8 | 9 | 10 | 11 | 12 | 13 | 14 | 15 | 16 |
|--------|-----|-----|----|----|-----|---|----|----|----|----|----|----|----|----|------|------|
| SYMBOL | VDD | GND | V0 | RS | R/W | E | DD | D1 | D2 | D3 | D4 | D5 | D6 | D7 | LED+ | LED- |

- NOTE:
1. DISPLAY TYPE: STN-Y/G-POSITIVE
 2. DISPLAY MODE: TRANSFLECTIVE
 3. DRIVE METHOD: 1/16 DUTY, 1/5 BIAS, 4.6V Vop, 5V VDD
 4. VIEWING DIR.: 6:00
 5. OP. TEMP.: -20°C~70°C
 6. ST. TEMP.: -30°C~80°C
 7. BACKLIGHT: COLOR-Y/G, 5.0±0.2V, 130mA, MIN.80 CD/m
 8. DRIVER IC:S6A0069,S6A0065

| TOLERANCE | | HTDISPLAY CO., LTD. | | HTDISPLAY CO., LTD. | | DRAWING No. : HC160202C-YF62L-VA | |
|-----------|-------|---------------------|-------|---------------------|------------|----------------------------------|-------------|
| >0~6 | ±0.10 | DESIGN | ZOUYS | 05.11.05 | STANDARD | REV. : A | SCALE : - |
| >6~80 | ±0.20 | CHECKED | | | TECHNOLOGY | PROJECTIION: | UNIT : mm |
| >80~240 | ±0.30 | APPROVED | | | Q.A | | SHEET : 1/1 |
| >240~400 | ±0.50 | | | | | | |
| // 1.0 | ±0.10 | | | | | | |