

# LS5D18 Series Surface Mount Power Inductors



## Features

- Will Handle Up To 1.95A
- Economical Design
- Suitable For Pick And Place
- Withstands Solder Reflow
- Shielded Design

## Applications

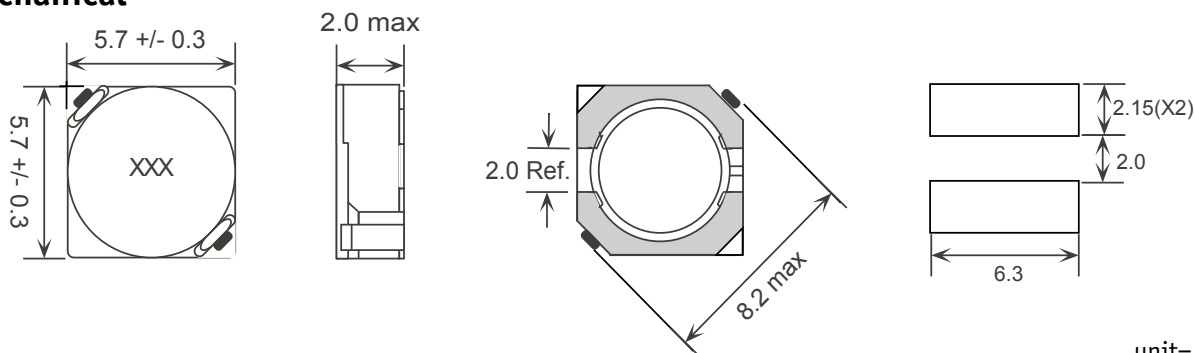
- DC/DC Converters
- Output Power Chokes
- Handheld And PDA Applications
- Battery Powered Or Low Voltage Applications

## Packaging

- Reel Diameter: 330mm
- Reel Width: 12.3mm
- Pieces Per Reel: 2000



## Mechanical



unit= mm

## Electrical Specifications

Part <sup>5</sup> Number	Inductance <sup>1</sup> ( $\mu\text{H} \pm 30\%$ )	Test Frequency (kHz)	DCR max ( $\Omega$ )	$I_{DC}$ max <sup>2</sup> (A)
LS5D18-4R1-RN	4.1	10	0.057	1.95
LS5D18-5R4-RN	5.4	10	0.076	1.60
LS5D18-6R2-RN	6.2	10	0.096	1.40
LS5D18-8R9-RN	8.9	10	0.116	1.25
LS5D18-100-RN	10	10	0.124	1.20
LS5D18-120-RN	12	10	0.153	1.10
LS5D18-150-RN	15	10	0.196	0.97
LS5D18-180-RN	18	10	0.210	0.85
LS5D18-220-RN	22	10	0.290	0.80
LS5D18-270-RN	27	10	0.330	0.75
LS5D18-330-RN	33	10	0.386	0.65
LS5D18-390-RN	39	10	0.520	0.57
LS5D18-470-RN	47	10	0.595	0.54
LS5D18-560-RN	56	10	0.665	0.50
LS5D18-680-RN	68	10	0.840	0.43
LS5D18-820-RN	82	10	0.978	0.41
LS5D18-101-RN	100	10	1.20	0.36
LS5D18-121-RN	120	10	1.50	0.33
LS5D18-151-RN	150	10	1.71	0.31
LS5D18-181-RN	180	10	2.24	0.28
LS5D18-221-RN	220	10	2.44	0.23
LS5D18-271-RN	270	10	3.38	0.21
LS5D18-331-RN	330	10	4.34	0.18

1. Tested @ 10kHz, 0.1Vrms.
2. Inductance drop = 35% at rated  $I_{DC}$  max.
3. Electrical specifications at 25°C.
4. Operating temperature range: -40°C to +85°C.
5. Meets UL 94V-0.
6. Optional Tolerances: 10%(K), 15%(L), and 20%(M).