



8-Channel/Dual 4-Channel, Low-Leakage, CMOS Analog Multiplexers

MAX3338/MAX3339

General Description

The MAX3338/MAX3339 are monolithic, CMOS analog multiplexers (muxes). The 8-channel MAX3338 is designed to connect one of eight inputs to a common output by control of a 3-bit binary address. The dual, 4-channel MAX3339 is designed to connect one of four inputs to a common output by control of a 2-bit binary address. Both devices can be used as either a mux or a demux. On-resistance is 400Ω max, and the devices conduct current equally well in both directions.

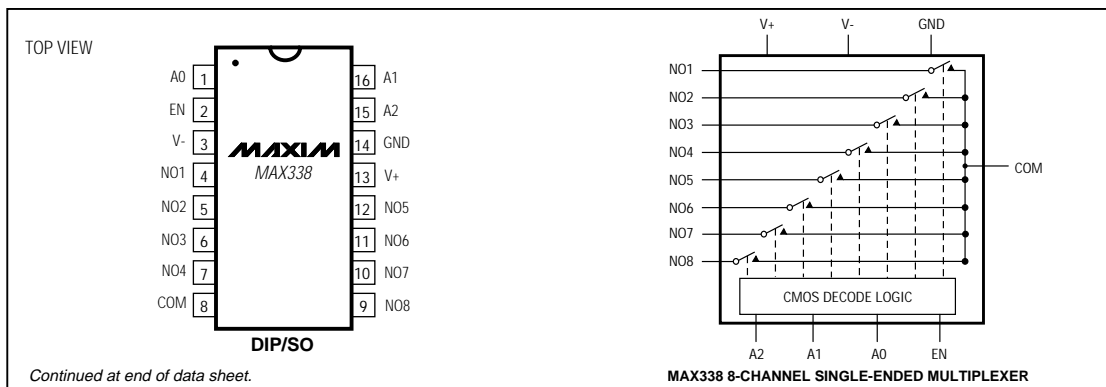
These muxes feature extremely low off leakages (less than 20pA at +25°C), and extremely low on-channel leakages (less than 50pA at +25°C). The new design offers guaranteed low charge injection (1.5pC typ) and electrostatic discharge (ESD) protection greater than 2000V, per method 3015.7. These improved muxes are pin-compatible upgrades for the industry-standard DG508A and DG509A. For similar Maxim devices with lower leakage and charge injection but higher on-resistance, see the MAX328 and MAX329.

The MAX3338/MAX3339 operate from a single +4.5V to +30V supply or from dual supplies of ±4.5V to ±20V. All control inputs (whether address or enable) are TTL compatible (+0.8V to +2.4V) over the full specified temperature range and over the ±4.5V to ±18V supply range. These parts are fabricated with Maxim's 44V silicon-gate process.

Applications

Data-Acquisition Systems	Sample-and-Hold Circuits
Test Equipment	Heads-Up Displays
Military Radios	Communications Systems
Guidance and Control Systems	
PBX, PABX	

Pin Configurations/Functional Diagrams/Truth Tables



Features

- ♦ **On-Resistance, <400Ω max**
- ♦ **Transition Time, <500ns**
- ♦ **On-Resistance Match, <10Ω**
- ♦ **NO-Off Leakage Current, <20pA at +25°C**
- ♦ **1.5pC Charge Injection**
- ♦ **Single-Supply Operation (+4.5V to +30V)
Bipolar-Supply Operation (±4.5V to ±20V)**
- ♦ **Plug-In Upgrade for Industry-Standard
DG508A/DG509A**
- ♦ **Rail-to-Rail Signal Handling**
- ♦ **TTL/CMOS-Logic Compatible**
- ♦ **ESD Protection >2000V, per Method 3015.7**

Ordering Information

PART	TEMP. RANGE	PIN-PACKAGE
MAX3338CPE	0°C to +70°C	16 Plastic DIP
MAX3338CSE	0°C to +70°C	16 Narrow SO
MAX3338C/D	0°C to +70°C	Dice*
MAX3338EPE	-40°C to +85°C	16 Plastic DIP
MAX3338ESE	-40°C to +85°C	16 Narrow SO
MAX3338EJE	-40°C to +85°C	16 CERDIP
MAX3338MJE	-55°C to +125°C	16 CERDIP**

Ordering Information continued at end of data sheet.

* Contact factory for dice specifications.

** Contact factory for availability.



Maxim Integrated Products 1

Call toll free 1-800-998-8800 for free samples or literature.

8-Channel/Dual 4-Channel, Low-Leakage, CMOS Analog Multiplexers

ABSOLUTE MAXIMUM RATINGS

Voltage Referenced to V-		Continuous Power Dissipation (TA = +70°C)
V+	-0.3V, 44V	Plastic DIP (derate 10.53mW/°C above +70°C)
GND	-0.3V, 25V	Narrow SO (derate 8.70mW/°C above +70°C)
Digital Inputs, NO, COM (Note 1)	(V- - 2V) to (V+ + 2V) or 30mA (whichever occurs first)	CERDIP (derate 10.00mW/°C above +70°C)
Continuous Current (any terminal)	30mA	Operating Temperature Ranges
Peak Current, NO or COM	(pulsed at 1ms, 10% duty cycle max)	MAX33_C
	100mA	MAX33_E
		MAX33_MJE
		Storage Temperature Range
		Lead Temperature (soldering, 10sec)

Note 1: Signals on NO, COM, EN, A0, A1, or A2 exceeding V+ or V- are clamped by internal diodes. Limit forward current to maximum current ratings.

Stresses beyond those listed under "Absolute Maximum Ratings" may cause permanent damage to the device. These are stress ratings only, and functional operation of the device at these or any other conditions beyond those indicated in the operational sections of the specifications is not implied. Exposure to absolute maximum rating conditions for extended periods may affect device reliability.

ELECTRICAL CHARACTERISTICS—Dual Supplies

(V+ = +15V, V- = -15V, GND = 0V, VAH = +2.4V, VAL = +0.8V, TA = TMIN to TMAX, unless otherwise noted.)

PARAMETER	SYMBOL	CONDITIONS		MIN	TYP (Note 2)	MAX	UNITS	
SWITCH								
Analog Signal Range	VNO, VCOM	(Note 3)		-15		15	V	
On-Resistance	RON	I _{NO} = 0.2mA, V _{COM} = ±10V	TA = +25°C		220	400	Ω	
			TA = TMIN to TMAX			500		
On-Resistance Matching Between Channels	ΔRON	I _{NO} = 0.2mA, V _{COM} = ±10V (Note 4)	TA = +25°C		4	10	Ω	
			TA = TMIN to TMAX			15		
NO-Off Leakage Current (Note 5)	I _{NO(OFF)}	V _{COM} = ∓10V, V _{NO} = ±10V, VEN = 0V	TA = +25°C	-0.02	0.001	0.02	nA	
			TA = TMIN to TMAX	C, E	-1.25	1.25		
				M	-20	20		
COM-Off Leakage Current (Note 5)	I _{COM(OFF)}	V _{NO} = ±10V, V _{COM} = ∓10V, VEN = 0V	MAX338	TA = +25°C	-0.05	0.005	nA	
				TA = TMIN to TMAX	C, E	-3.25		3.25
					M	-40		40
		V _{NO} = ∓10V, V _{COM} = ±10V, VEN = 0V	MAX339	TA = +25°C	-0.05	0.005	nA	
				TA = TMIN to TMAX	C, E	-1.65		1.65
					M	-20		20
COM-On Leakage Current (Note 5)	I _{COM(ON)}	V _{COM} = ±10V, V _{NO} = ±10V, sequence each switch on	MAX338	TA = +25°C	-0.05	0.006	nA	
				TA = TMIN to TMAX	C, E	-3.25		3.25
					M	-40		40
			MAX339	TA = +25°C	-0.05	0.008	nA	
				TA = TMIN to TMAX	C, E	-1.65		1.65
					M	-20		20

8-Channel/Dual 4-Channel, Low-Leakage, CMOS Analog Multiplexers

MAX3338/MAX3339

ELECTRICAL CHARACTERISTICS—Dual Supplies (continued)

(V₊ = +15V, V₋ = -15V, GND = 0V, V_{AH} = +2.4V, V_{AL} = +0.8V, T_A = T_{MIN} to T_{MAX}, unless otherwise noted.)

PARAMETER	SYMBOL	CONDITIONS		MIN	TYP (Note 2)	MAX	UNITS
INPUT							
Input Current with Input Voltage High	I _{AH}	V _A = 2.4V or 15V		-1.0	0.001	1.0	μA
Input Current with Input Voltage Low	I _{AL}	V _{EN} = 0V or 2.4V, V _A = 0V		-1.0		1.0	μA
SUPPLY							
Power-Supply Range				±4.5		±20	V
Positive Supply Current	I ₊	V _{EN} = V _A = 0V	T _A = +25°C		50	100	μA
			T _A = T _{MIN} to T _{MAX}			150	
Positive Supply Current	I ₊	V _{EN} = 2.4V, V _{A(ALL)} = 2.4V	T _A = +25°C		290	500	μA
			T _A = T _{MIN} to T _{MAX}			600	
Negative Supply Current	I ₋	V _{EN} = 0V or 2.4V, V _{A(ALL)} = 0V, 2.4V or 5V	T _A = +25°C		-1	1	μA
			T _A = T _{MIN} to T _{MAX}			-10	
DYNAMIC							
Transition Time	t _{TRANS}	Figure 2	T _A = +25°C		200	500	ns
Break-Before-Make Interval	t _{OPEN}	Figure 4	T _A = +25°C	10	140		ns
Enable Turn-On Time	t _{ON(EN)}	Figure 3	T _A = +25°C		160	500	ns
			T _A = T _{MIN} to T _{MAX}			750	
Enable Turn-Off Time	t _{OFF(EN)}	Figure 3	T _A = +25°C		100	500	ns
			T _A = T _{MIN} to T _{MAX}			750	
Charge Injection (Note 3)	Q	C _L = 100pF, V _{NO} = 0V, R _S = 0Ω, Figure 6	T _A = +25°C		1.5	5	pC
Off Isolation (Note 6)	V _{ISO}	V _{EN} = 0V, R _L = 1kΩ, f = 100kHz	T _A = +25°C		-75		dB
Crosstalk Between Channels	V _{CT}	V _{EN} = 2.4V, f = 100kHz, V _{GEN} = 1V _{P-P} , R _L = 1kΩ, Figure 7	T _A = +25°C		-92		dB
Logic Input Capacitance	C _{IN}	f = 1MHz	T _A = +25°C		2		pF
NO-Off Capacitance	C _{NO(OFF)}	f = 1MHz, V _{EN} = V _{NO} = 0V, Figure 8	T _A = +25°C		3		pF
COM-Off Capacitance	C _{COM(OFF)}	f = 1MHz, V _{EN} = 0.8V, V _{COM} = 0V, Figure 8	T _A = +25°C	MAX338		11	pF
				MAX339		6	
COM-On Capacitance	C _{COM(ON)}	f = 1MHz, V _{EN} = 2.4V, V _{COM} = 0V, Figure 8	T _A = +25°C	MAX338		16	pF
				MAX339		9	

8-Channel/Dual 4-Channel, Low-Leakage, CMOS Analog Multiplexers

MAX338/MAX339

ELECTRICAL CHARACTERISTICS—Single Supply

(V+ = +12V, V- = 0V, GND = 0V, V_{AH} = +2.4V, V_{AL} = +0.8V, T_A = T_{MIN} to T_{MAX}, unless otherwise noted.)

PARAMETER	SYMBOL	CONDITIONS		MIN	TYP (Note 2)	MAX	UNITS
SWITCH							
Analog Signal Range	V _{NO} , V _{COM}	(Note 3)		0		12	V
On-Resistance	R _{ON}	I _{NO} = 0.2mA V _{COM} = 3V or 10V	T _A = +25°C		460	650	Ω
DYNAMIC							
Transition Time (Note 3)	t _{TRANS}	V _{NO1} = 8V, V _{NO8} = 0V, V _{IN} = 2.4V, Figure 1	T _A = +25°C		210	500	ns
Enable Turn-On Time (Note 3)	t _{ON(EN)}	V _{INH} = 2.4V, V _{INL} = 0V, V _{NO1} = 5V, Figure 3	T _A = +25°C		280	500	ns
Enable Turn-Off Time (Note 3)	t _{OFF(EN)}	V _{INH} = 2.4V, V _{INL} = 0V, V _{NO1} = 5V, Figure 3	T _A = +25°C		110	500	ns
Charge Injection (Note 3)	Q	C _L = 100pF, V _{NO} = 0V, R _S = 0Ω	T _A = +25°C		1.8	5	pC

Note 2: The algebraic convention where the most negative value is a minimum and the most positive value a maximum is used in this data sheet.

Note 3: Guaranteed by design.

Note 4: $\Delta R_{ON} = R_{ON(MAX)} - R_{ON(MIN)}$.

Note 5: Leakage parameters are 100% tested at the maximum rated hot temperature and guaranteed by correlation at +25°C.

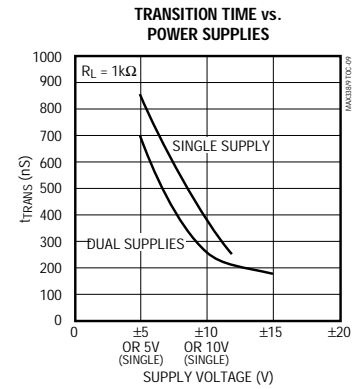
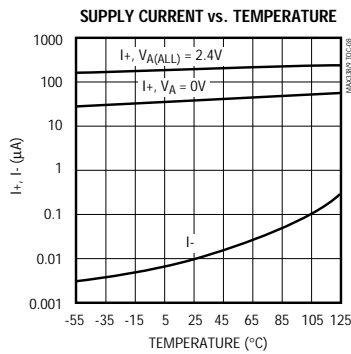
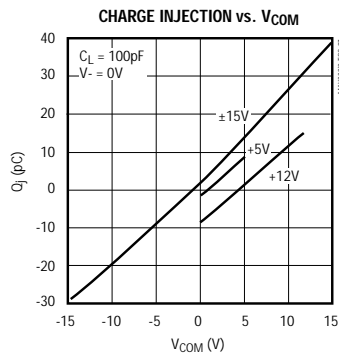
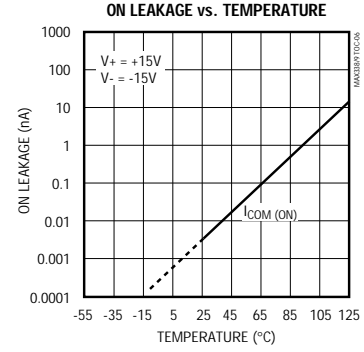
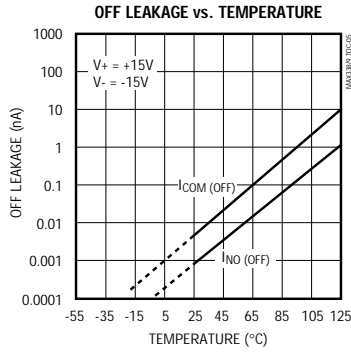
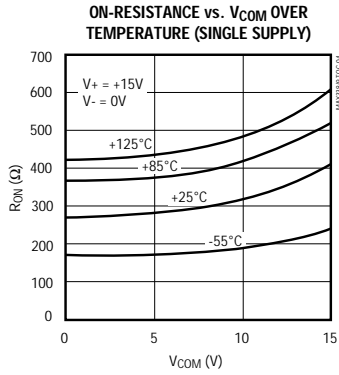
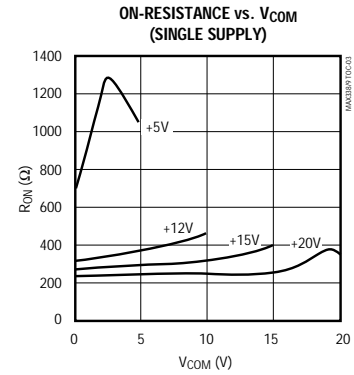
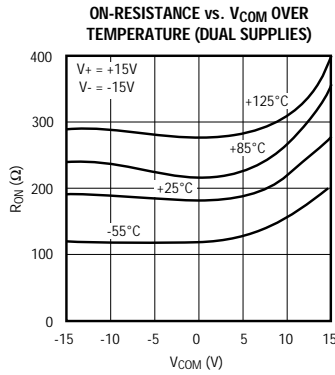
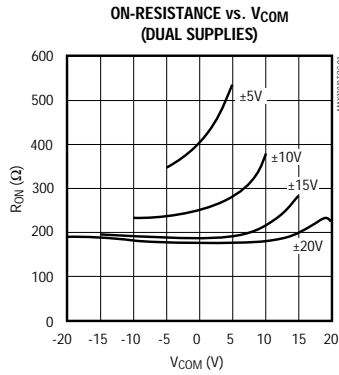
Note 6: Worst-case isolation is on channel 4 because of its proximity to the drain pin. Off isolation = $20 \log V_{COM}/V_{NO}$, where V_{COM} = output and V_{NO} = input to off switch.

8-Channel/Dual 4-Channel, Low-Leakage, CMOS Analog Multiplexers

Typical Operating Characteristics

($T_A = +25^\circ\text{C}$, unless otherwise noted.)

MAX338/MAX339



8-Channel/Dual 4-Channel, Low-Leakage, CMOS Analog Multiplexers

Pin Description

PIN		NAME	FUNCTION
MAX338	MAX339		
1, 15, 16	—	A0, A2, A1	Address Inputs
—	1, 16	A0, A1	Address Inputs
2	2	EN	Enable Input
3	3	V-	Negative Supply Voltage Input
4-7	—	NO1-NO4	Analog Inputs—bidirectional
—	4-7	NO1A-NO4A	Analog Inputs—bidirectional
8	—	COM	Analog Output—bidirectional
—	8, 9	COMA, COMB	Analog Outputs—bidirectional
9-12	—	NO8-NO5	Analog Inputs—bidirectional
—	10-13	NO4B-NO1B	Analog Inputs—bidirectional
13	14	V+	Positive Supply Voltage Input
14	15	GND	Ground

Applications Information

Operation with Supply Voltages Other than 15V

Using supply voltages less than $\pm 15V$ will reduce the analog signal range. The MAX338/MAX339 switches operate with $\pm 4.5V$ to $\pm 20V$ bipolar supplies or with a $+4.5V$ to $+30V$ single supply. Connect V- to GND when operating with a single supply. Both device types can also operate with unbalanced supplies such as $+24V$ and $-5V$. The *Typical Operating Characteristics* graphs show typical on-resistance with 20V, 15V, 10V, and 5V supplies. (Switching times increase by a factor of two or more for operation at 5V.)

Overvoltage Protection

Proper power-supply sequencing is recommended for all CMOS devices. Do not exceed the absolute maximum ratings, because stresses beyond the listed ratings may cause permanent damage to the devices. Always sequence V+ on first, then V-, followed by the logic inputs NO and COM. If power-supply sequencing is not possible, add two small signal diodes in series with supply pins for overvoltage protection (Figure 1). Adding diodes reduces the analog signal range to 1V below V+ and 1V above V-, but does not affect the devices' low switch resistance and low leakage characteristics. Device operation is unchanged, and the difference between V+ and V- should not exceed 44V.

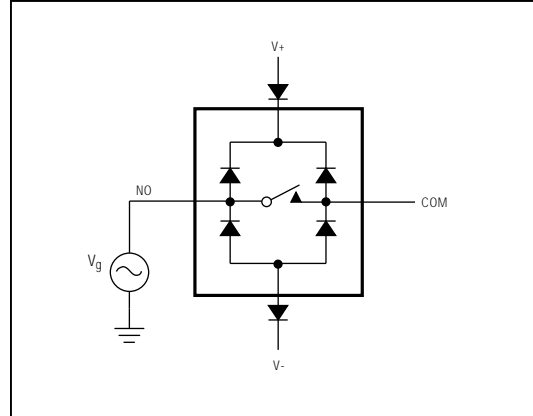


Figure 1. Overvoltage Protection Using External Blocking Diodes

8-Channel/Dual 4-Channel, Low-Leakage, CMOS Analog Multiplexers

Test Circuits/Timing Diagrams

MAX338/MAX339

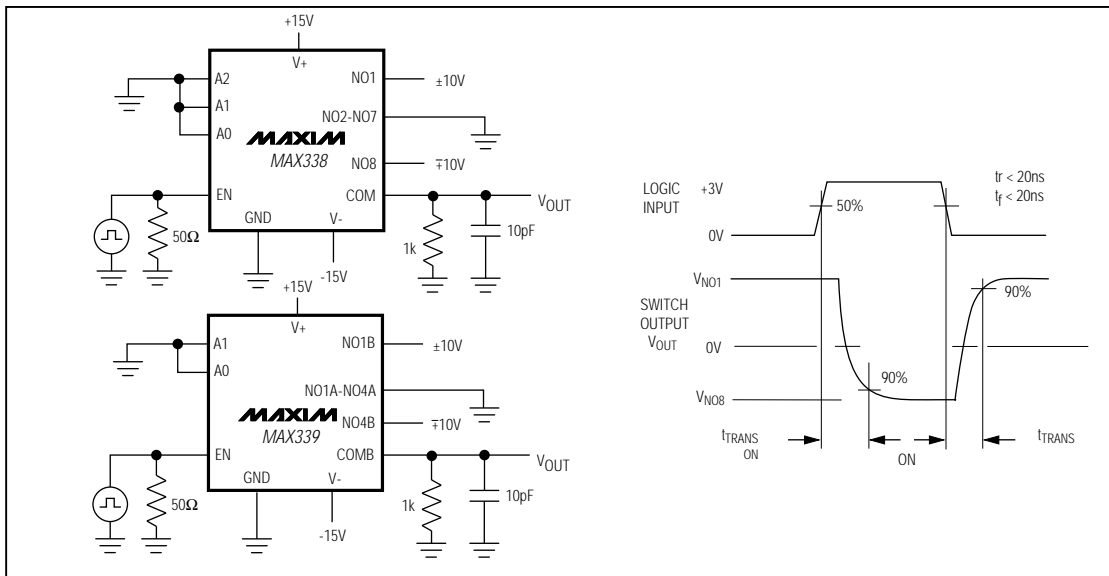


Figure 2. Transition Time

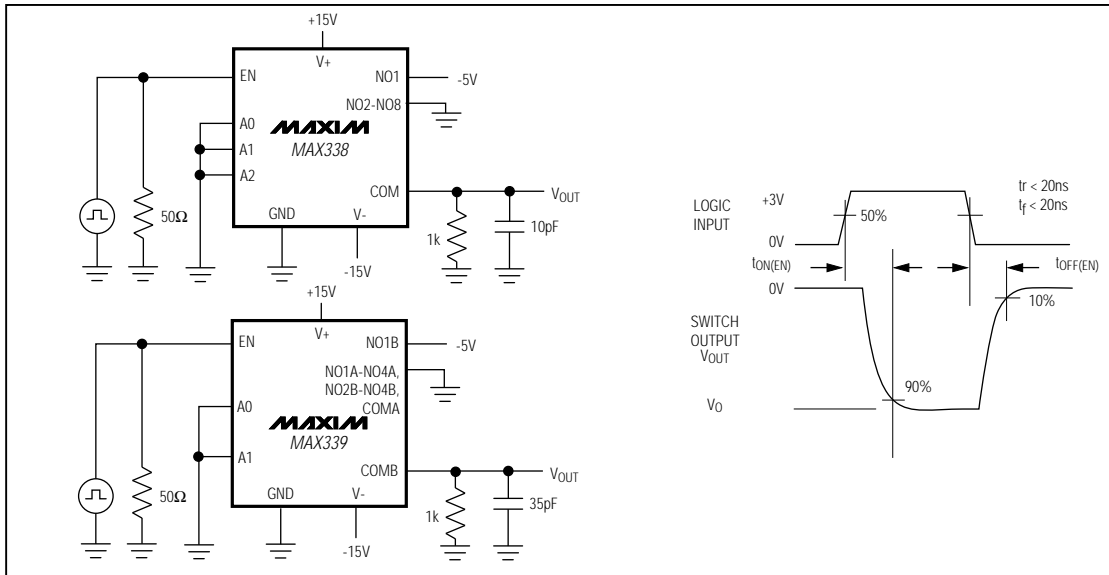


Figure 3. Enable Switching Time

8-Channel/Dual 4-Channel, Low-Leakage, CMOS Analog Multiplexers

Test Circuits/Timing Diagrams (continued)

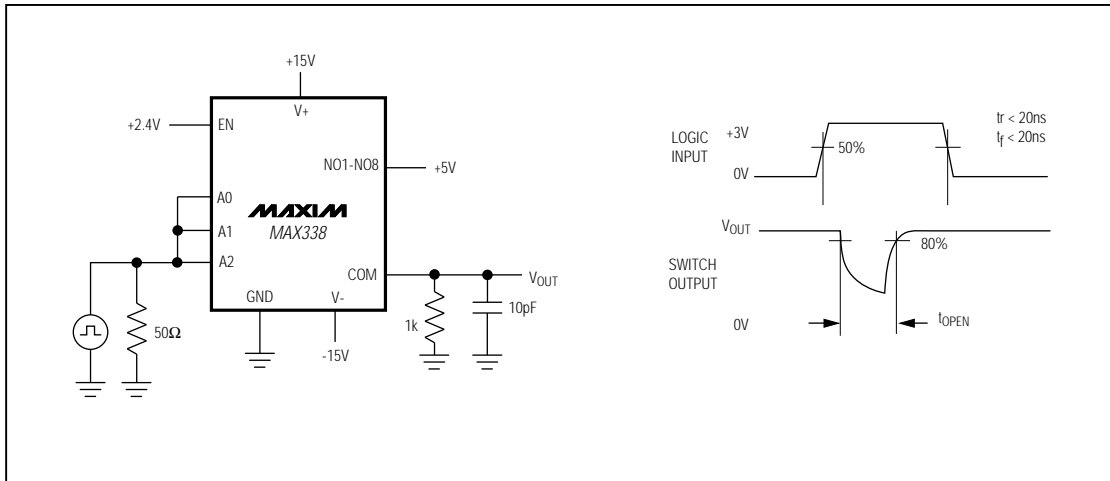


Figure 4. Break-Before-Make Interval

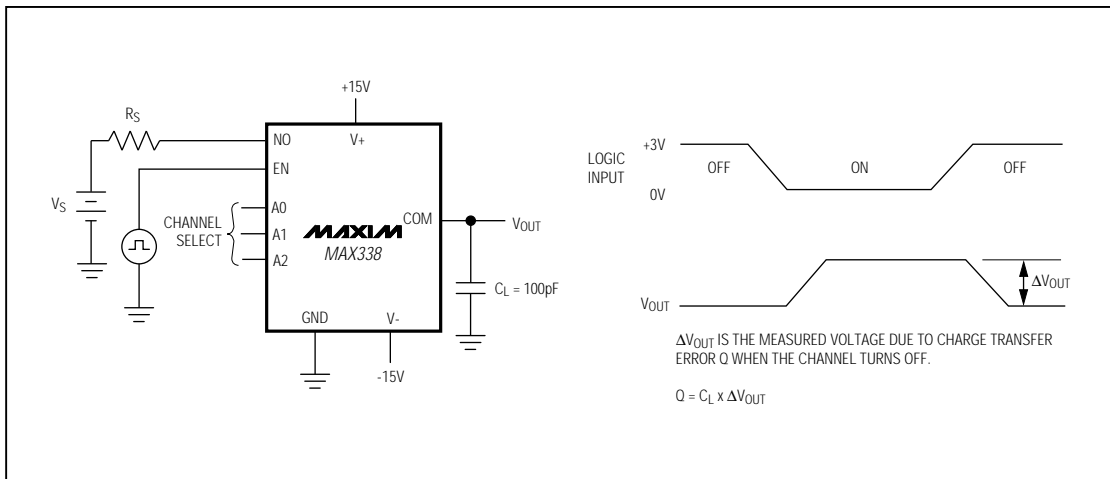


Figure 5. Charge Injection

8-Channel/Dual 4-Channel, Low-Leakage, CMOS Analog Multiplexers

Test Circuits/Timing Diagrams (continued)

MAX338/MAX339

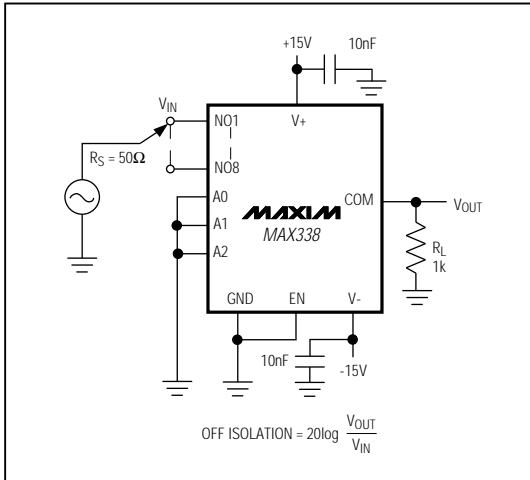


Figure 6. Off Isolation

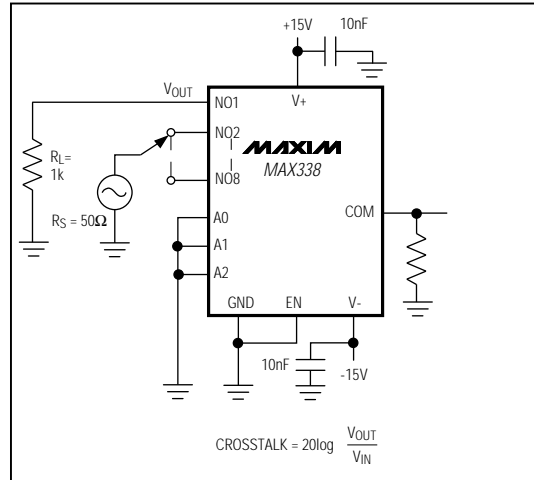


Figure 7. Crosstalk

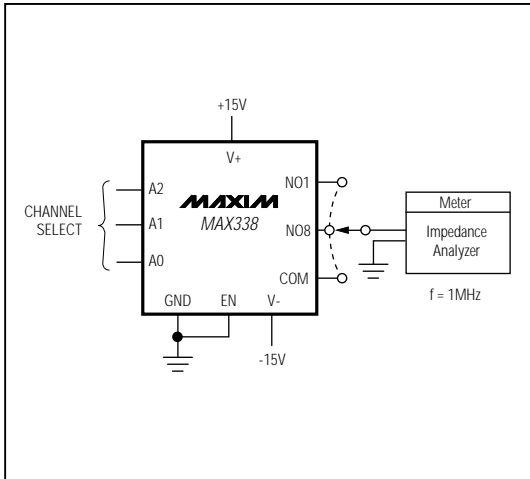
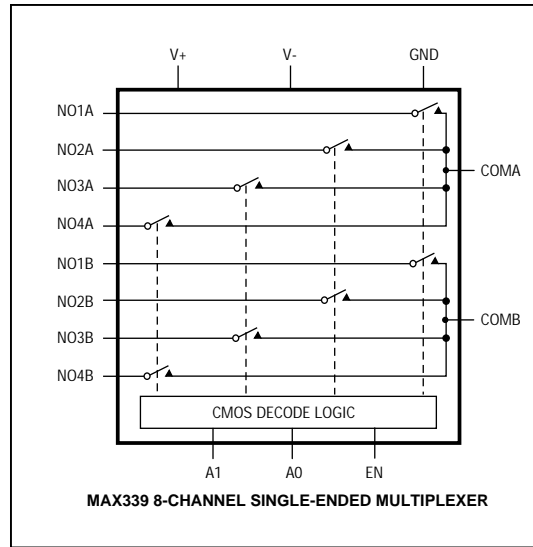
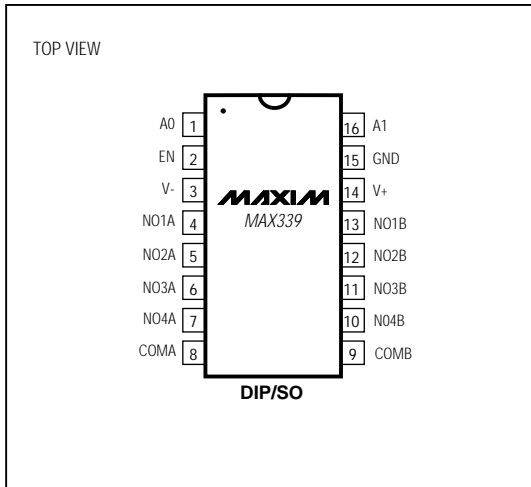


Figure 8. NO/COM Capacitance

8-Channel/Dual 4-Channel, Low-Leakage, CMOS Analog Multiplexers

Pin Configurations/Functional Diagrams/Truth Tables (continued)



A2	A1	A0	EN	ON SWITCH
X	X	X	0	None
0	0	0	1	1
0	0	1	1	2
0	1	0	1	3
0	1	1	1	4
1	0	0	1	5
1	0	1	1	6
1	1	0	1	7
1	1	1	1	8

MAX338

LOGIC "0" $V_{AL} \leq 0.8V$, LOGIC "1" $V_{AH} \geq 2.4V$

A1	A0	EN	ON SWITCH
X	X	0	None
0	0	1	1
0	1	1	2
1	0	1	3
1	1	1	4

MAX339

LOGIC "0" $V_{AL} \leq 0.8V$, LOGIC "1" $V_{AH} \geq 2.4V$

8-Channel/Dual 4-Channel, Low-Leakage, CMOS Analog Multiplexers

_Ordering Information (continued)

PART	TEMP. RANGE	PIN-PACKAGE
MAX339 CPE	0°C to +70°C	16 Plastic DIP
MAX339CSE	0°C to +70°C	16 Narrow SO
MAX339C/D	0°C to +70°C	Dice*
MAX339EPE	-40°C to +85°C	16 Plastic DIP
MAX339ESE	-40°C to +85°C	16 Narrow SO
MAX339EJE	-40°C to +85°C	16 CERDIP
MAX339MJE	-55°C to +125°C	16 CERDIP**

* Contact factory for dice specifications.

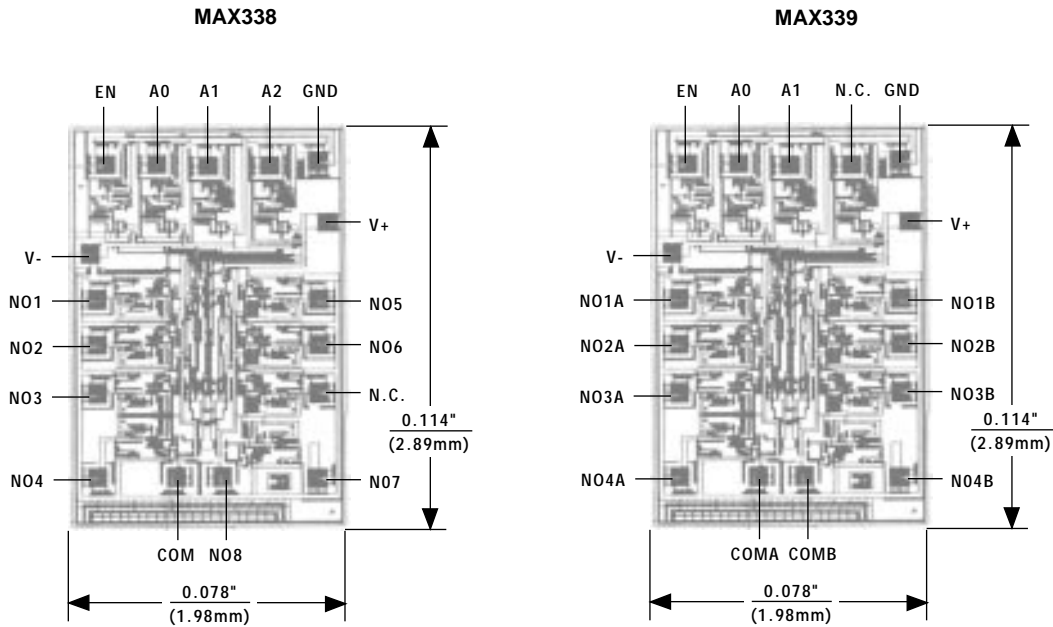
** Contact factory for availability.

MAX338/MAX339

8-Channel/Dual 4-Channel, Low-Leakage, CMOS Analog Multiplexers

Chip Topographies

MAX338/MAX339



N.C. = NO INTERNAL CONNECTION

TRANSISTOR COUNT: 224
SUBSTRATE IS INTERNALLY CONNECTED TO V+

TRANSISTOR COUNT: 224
SUBSTRATE IS INTERNALLY CONNECTED TO V+

Maxim cannot assume responsibility for use of any circuitry other than circuitry entirely embodied in a Maxim product. No circuit patent licenses are implied. Maxim reserves the right to change the circuitry and specifications without notice at any time.

12 Maxim Integrated Products, 120 San Gabriel Drive, Sunnyvale, CA 94086 (408) 737-7600

© 1994 Maxim Integrated Products

Printed USA

MAXIM is a registered trademark of Maxim Integrated Products.