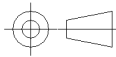


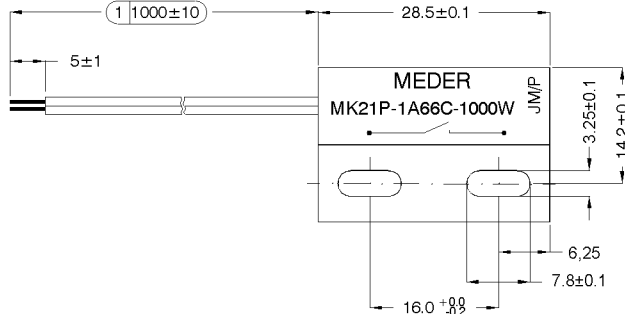
CABLE

PVC - LIYZ 2x0.14 mm²
 Colour: white

PVC - LIYZ 2x0.14 mm²
 Farbe: weiss



Abmessungen / dimensions (mm)



MARKING

MEDER-Label, Type
 Production code EN60062/
 Factory code
 Circuit diagram

MEDER-Logo, Typ
 Produktionscode EN60062
 Fertigungsstätte
 Schaltbild

CIRCUIT DIAGRAM



Magnetic properties	Conditions	Min	Typ	Max	Unit
Pull-In excitation (Reference value)	Reed switch unmodified measured in coil- "define operation"	37		57	AT
Test equipment		KMS-14			

Special Product Data	Conditions	Min	Typ	Max	Unit
Contact - form		A - NO			
Contact rating	Any DC combination of V & A not to exceed their individual max.'s			10	W
Switching voltage	DC or Peak AC			180	V
Carry current	DC or Peak AC			0,5	A
Switching current	DC or Peak AC			1	A
Sensor-resistance	measured with 40% overdrive			420	mOhm
Housing material		Polyester			
Case color		black			
Sealing compound		Polyurethan			

Environmental data	Conditions	Min	Typ	Max	Unit
Shock	1/2 sine wave duration 11ms			50	g
Vibration	from 10 - 2000 Hz			20	g
Operating temperature	cable not moved	-30		70	°C
Operating temperature	cable moved	-5		70	°C
Storage temperature		-30		70	°C

General data	Conditions	Min	Typ	Max	Unit
Mounting advice		over 5m cable, a resistor is recommended.			
Tightening torque	Screw M3 ISO 1207 Disk ISO 7089			0,5	Nm