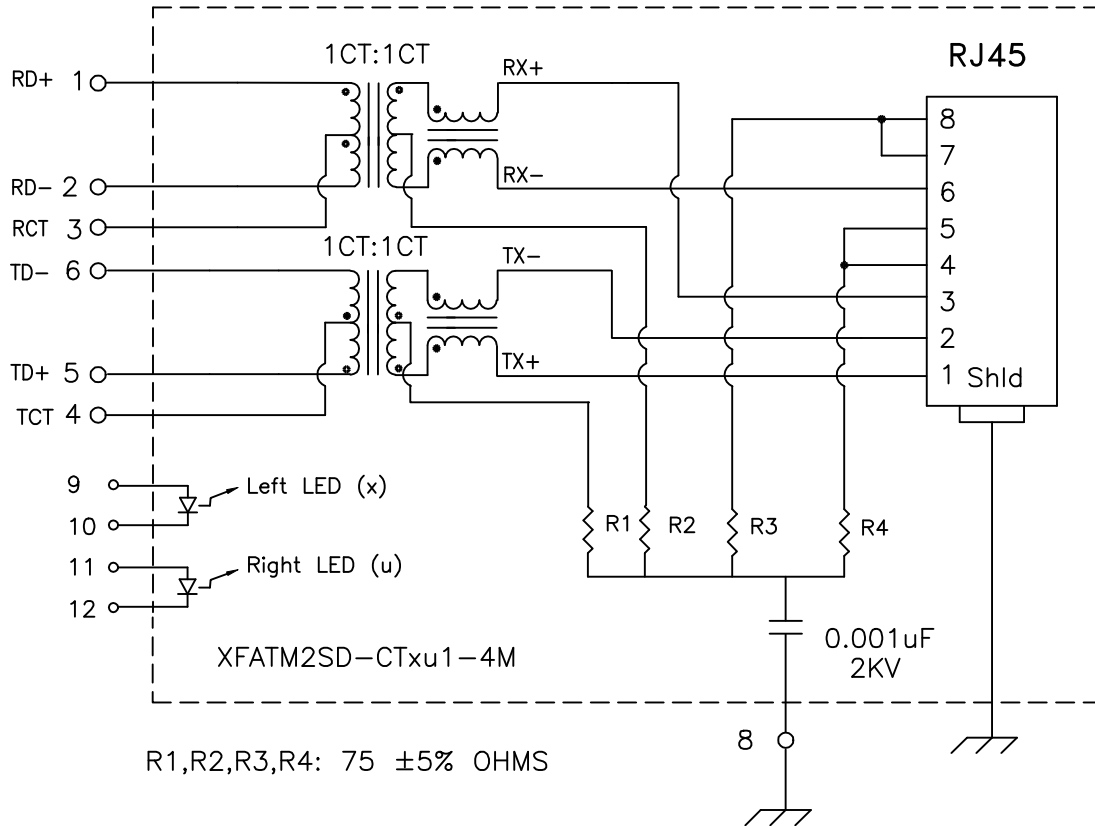


**Schematic:**



**Electrical Specifications: @25°C**

Isolation Voltage: 1500 Vrms (INPUT to OUTPUT)

UTP SIDE OCL: 350uH Min @100KHz 100mV 8mADC

Rise Time (10-90%): 2.5ns Typical

Insertion Loss: 300KHz-100MHz -1.0dB Maximum

Return Loss: 300KHz-30MHz -18dB Minimum

30MHz-60MHz -15dB Typ

60MHz-100MHz -12dB Typ

Crosstalk: 300KHz-60MHz -43dB Minimum

60.1MHz-100MHz -38dB Minimum

Common Mode to Differential Mode Rejection:

300KHz-60MHz -46dB Min (Tx) / -35dB Min (Rx)

60MHz-100MHz -42dB Min (Tx) / -33dB Min (Rx)

Complete the Combo P/N as follows:

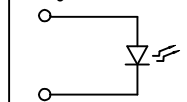
Replace 'x' & 'u' in the part number with one of the LED color letters:

Y=Yellow 'x' = Left LED Color  
G=Green 'u' = Right LED Color

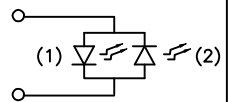
A=Amber  
R=Red

N=Yellow(1)/Green(2) Bicolor  
M=Green(1)/Yellow(2) Bicolor

Single Color LED:

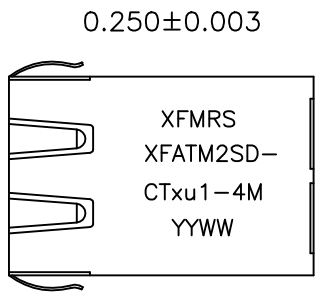
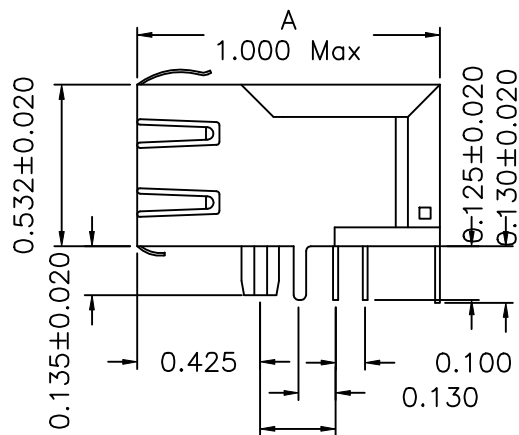
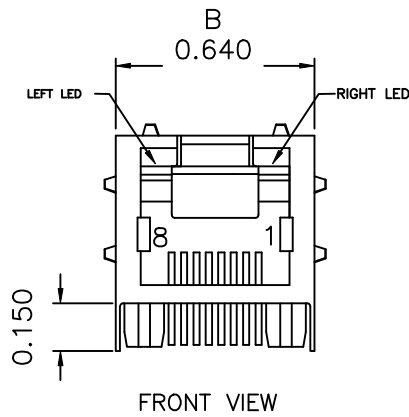


Bi-Color LED:



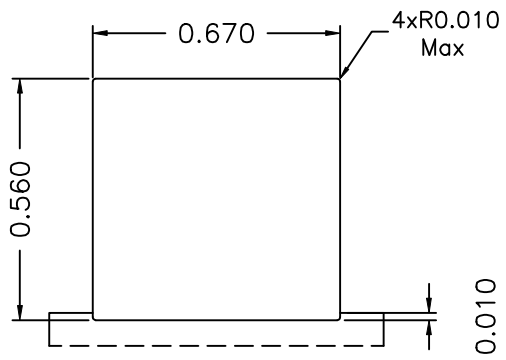
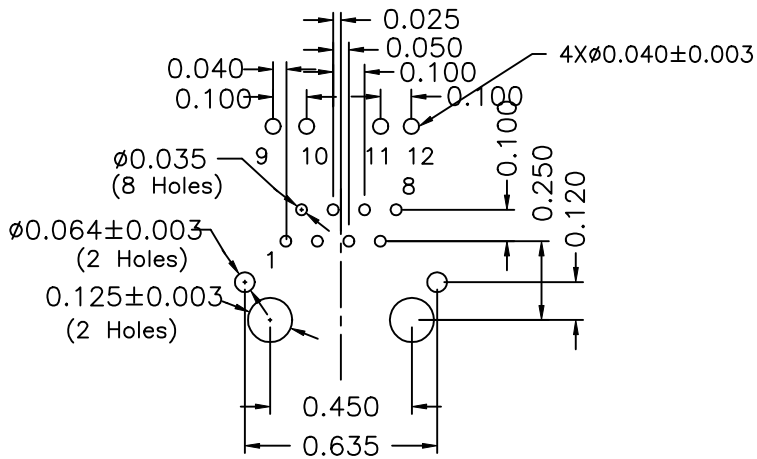
<b>XFMRs Inc.</b> <small>UNLESS OTHERWISE SPECIFIED  TOLERANCES:  .xxx ±0.010  Dimensions in Inch</small>	Title: <b>SINGLE PORT COMBO</b>		
	XFATM2SD-CTxu1-4M		REV. B
	DWN.	罗振江	Jun-25-03
	CHK.	廖玉坤	Jun-25-03
SHEET 1 OF 2	APP.	BW	Jun-25-03

**Mechanical Dimensions:**



TOP VIEW

**Mounting Pattern:**



FACE VIEW  
RECOMMENDED PANEL CUTOUT

DOC. REV: B/1

<b>XFMRS Inc.</b> UNLESS OTHERWISE SPECIFIED TOLERANCES: .xxx ±0.010 Dimensions in Inch SHEET 2 OF 2	Title: Mechanical Dimensions For TAB UB RJ45 COMBO		
	P/N: XFATM2SD-CTxu1-4M	REV. B	
DWN.	罗振江	Jun-25-03	
CHK.	廖玉坤	Jun-25-03	
APP.	BW	Jun-25-03	