



TAI-SAW TECHNOLOGY CO., LTD.

No. 3, Industrial 2nd Rd., Ping-Chen Industrial District,
Taoyuan, 324, Taiwan, R.O.C.

TEL: 886-3-4690038 FAX: 886-3-4697532

E-mail: tstsales@mail.taisaw.com Web: www.taisaw.com

Approval Sheet For Product Specification

Issued Date: 2007/11/7 (REV NO : 1)

Product Name: 7.0x5.0 XO 100 MHz PECL Output Oscillator

TST Parts No.: TW0283A

Customer Parts No.: _____

| |
|---------------------|
| Company: _____ |
| Division: _____ |
| Approved by : _____ |
| Date: _____ |

Checked by: _____ Ryan Huang

Approval by: _____ Robert Chang

Date: _____ 2007/11/7



TAI-SAW TECHNOLOGY CO., LTD.

No. 3, Industrial 2nd Rd., Ping-Chen Industrial District,
Taoyuan, 324, Taiwan, R.O.C.

TEL: 886-3-4690038 FAX: 886-3-4697532

E-mail: tstsales@mail.taisaw.com Web: www.taisaw.com

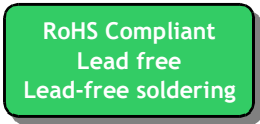
7.0x5.0 100 MHz PECL Output Oscillator

MODEL NO.: TW0283A

REV. NO.: 1

Features:

- 3.3V Operation / Complementary PECL Output
- Enable / Disable Tristate Function (6-Pad)
- Main application: WLAN, SONET/SDH/DWDM, Gigabite Ethernet, Storage Area Network, Digital Video



Electrical Specifications:

Measurement shall be made under room temperature and humidity at below conditions.

Temperature: 25+/-3 °C

Humidity: Below 70% RH

Operating Temperature: 0 °C to +70 °C

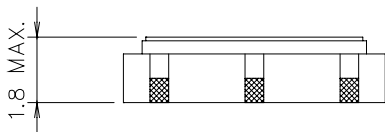
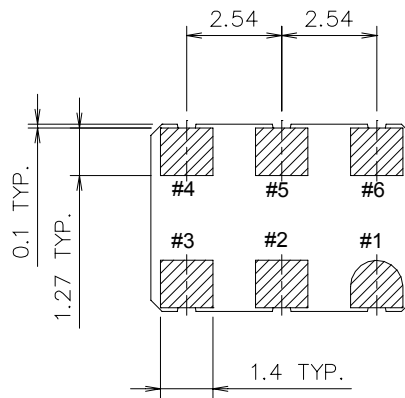
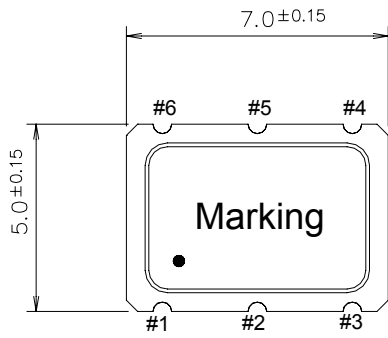
Storage Temperature: -40 °C to +85 °C

| Characteristics | Units | Minimum | Typical | Maximum |
|--------------------------|-------------|--|----------|-----------|
| Center Frequency | MHz | | 100 | |
| * Frequency Stability | ppm | -100 | - | 100 |
| Poser Supply Voltage | VDC | - | 3.3+/-5% | - |
| Power Supply Current | mA | - | - | 100 |
| Output | | | | |
| Load | ohm | - | 50 | - |
| Output Low (Logic "0") | VDC | - | - | Vdd-1.620 |
| Output High (Logic "1") | VDC | Vdd-1.025 | - | - |
| Duty Cycle | % | 45% | 50% | 55% |
| Rise Time (10%->90% VDD) | nSec | - | 0.6 | 1.5 |
| Fall Time (90%->10% VDD) | nSec | - | 0.6 | 1.5 |
| Enable/Disable Function | | PIN#2: High or Open , PIN#4: Enable PIN#2: Low , PIN#4: Disable | | |
| Package size | | SMD7.0x5.0x1.8mm | | |

Parameter denoted with an asterisk(*)

* Note1 : Frequency stability includes 25°C tolerance, operating temperature range, aging and input voltage or load change.

Mechanical Dimensions (mm):



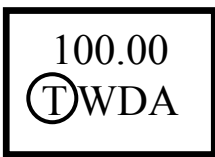
Pin Connection

- #1 OE
- #2 No Connection
- #3 GND
- #4 Output 1 (Q)
- #5 Output 2 (Qbar)
- #6 VDD

Marking:

Line 1: 100.00 (Frequency)

Line 2: $\text{\textcircled{T}}$ WDA (TST logo + Product Code + Data Code + TST Internal Code)



Product Code Table

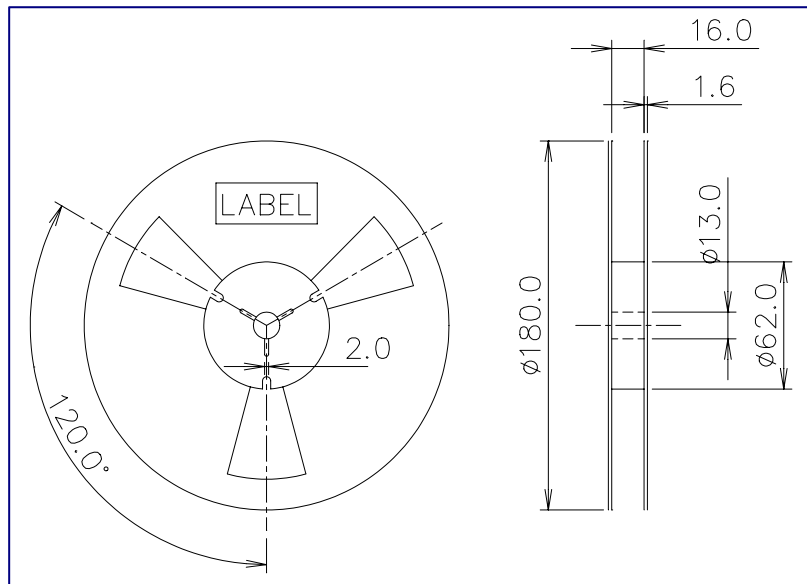
| Year | 2001 2005 | 2002 2006 | 2003 2007 | 2004 2008 |
|--------------|--------------|--------------|--------------|--------------|
| Product Code | W | w | <u>W</u> | <u>w</u> |

Date Code Table

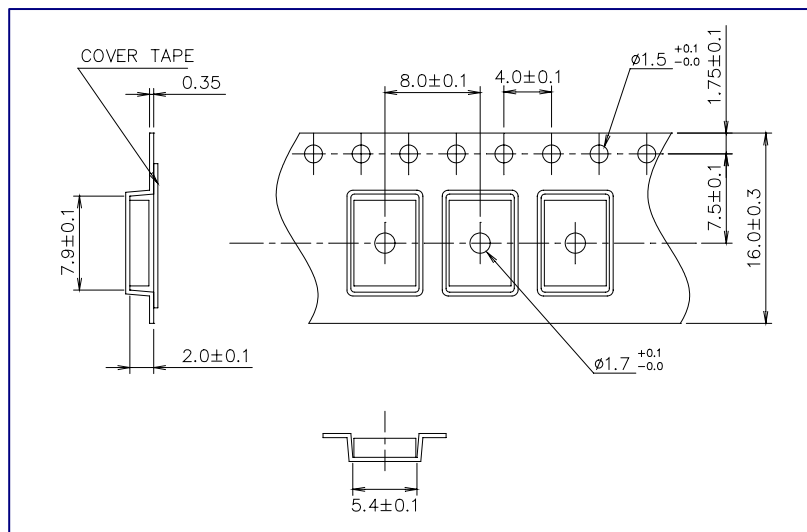
| | | | | | | | | | | | | |
|------|------|------|------|------|------|------|------|------|------|------|------|------|
| WK01 | WK02 | WK03 | WK04 | WK05 | WK06 | WK07 | WK08 | WK09 | WK10 | WK11 | WK12 | WK13 |
| A | B | C | D | E | F | G | H | I | J | K | L | M |
| WK14 | WK15 | WK16 | WK17 | WK18 | WK19 | WK20 | WK21 | WK22 | WK23 | WK24 | WK25 | WK26 |
| N | O | P | Q | R | S | T | U | V | W | X | Y | Z |
| WK27 | WK28 | WK29 | WK30 | WK31 | WK32 | WK33 | WK34 | WK35 | WK36 | WK37 | WK38 | WK39 |
| a | b | c | d | e | f | g | h | i | j | k | l | m |
| WK40 | WK41 | WK42 | WK43 | WK44 | WK45 | WK46 | WK47 | WK48 | WK49 | WK50 | WK51 | WK52 |
| n | o | p | q | r | s | t | u | v | w | x | y | z |

Tape & Reel:

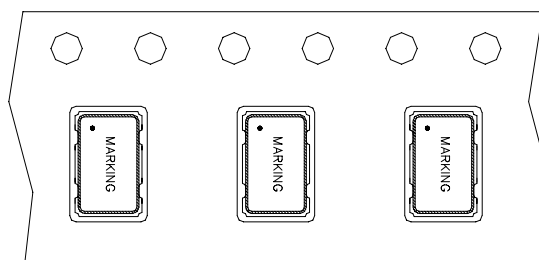
- Packing Quantity: 1k /Reel
- Reel dimension (unit: mm)



- Tape dimension (unit: mm)



- Packing direction



Reflow Profile:

