

PLEASE CHECK WWW.MOLEX.COM FOR LATEST PART INFORMATION

Part Number: [0758614104](#)
Status: **Active**
Overview: [gbx_backplane_connector_system](#)
Description: 1.85mm by 1.85mm (.073" by .073") Pitch 2-Pair GbX® Backplane L-Series Connector System, Right Guide Header, 50 Circuits, Gold (Au) 0.76µm (30µ"), Pin Length 4.55mm (.179")

Documents:

[Drawing \(PDF\)](#) [RoHS Certificate of Compliance \(PDF\)](#)
[Product Specification PS-75221-999 \(PDF\)](#)

General

Product Family	Backplane Connectors
Series	75861
Application	Backplane
Application Tooling Documents	http://www.molex.com/pdm_docs/ats/TM-622022099.pdf Tooling Manual
Comments	Left Guide Header, No Keying Postion
Component Type	PCB Header
Overview	gbx_backplane_connector_system
Product Name	GbX®
Style	N/A

Physical

Circuits (Loaded)	50
Circuits (maximum)	50
Color - Resin	Gray (Dark)
Durability (mating cycles max)	200
First Mate / Last Break	No
Guide to Mating Part	Yes
Keying to Mating Part	None
Material - Metal	High Performance Alloy (HPA), Stainless Steel
Material - Plating Mating	Gold
Material - Plating Termination	Tin-Lead
Material - Resin	High Temperature Thermoplastic
Number of Columns	10
Number of Pairs	2
Number of Rows	5
Orientation	Vertical
PC Tail Length (in)	0.087 In
PC Tail Length (mm)	2.20 mm
PCB Locator	No
PCB Retention	Yes
PCB Thickness Recommended (in)	0.063 In
PCB Thickness Recommended (mm)	1.60 mm
Packaging Type	Tube
Pitch - Mating Interface (in)	0.073 In
Pitch - Mating Interface (mm)	1.85 mm
Pitch - Term. Interface (in)	0.073 In
Pitch - Term. Interface (mm)	1.85 mm
Plating min: Mating (µin)	30
Plating min: Mating (µm)	0.76
Plating min: Termination (µin)	30
Plating min: Termination (µm)	0.76
Polarized to PCB	No
Stackable	No

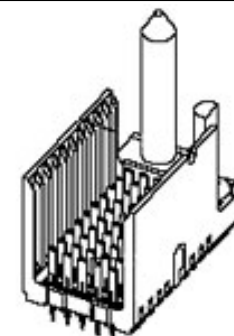


image - Reference only

Series

EU RoHS

RoHS Compliant by Exemption

REACH SVHC

Not Reviewed

Halogen-Free

Status

Not Reviewed

Need more information on product environmental compliance?

Email productcompliance@molex.com
 For a multiple part number RoHS Certificate of Compliance, [click here](#)

Please visit the [Contact Us](#) section for any non-product compliance questions.

China RoHS



Pb

Search Parts in this Series

[75861Series](#)

Mates With

[75676 Gbx Hybrid Daughtercard](#). [75671 GbX® L-Series Daughtercard](#)

Application Tooling | FAQ

Tooling specifications and manuals are found by selecting the products below. Crimp Height Specifications are then contained in the Application Tooling Specification document.

Global

Description	Product #
GbX® 2 Pair by 10 Wide L Series Insertion Module	0622022450

Surface Mount Compatible (SMC)	Yes
Temperature Range - Operating	105°C
Termination Interface: Style	Through Hole - Compliant Pin

Electrical

Current - Maximum per Contact	1A
Data Rate	8.0 Gbps
Real Signals (per 25mm)	67
Shielded	No
Voltage - Maximum	120V AC (RMS)/DC

Material Info

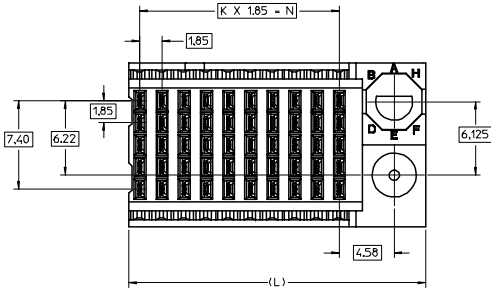
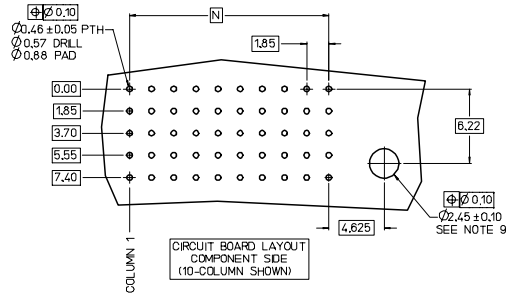
Reference - Drawing Numbers

Packaging Specification	PK-70873-5058
Product Specification	PS-75221-999
Sales Drawing	SD-75861-410

GbX is a registered trademark of Amphenol Corporation.

This document was generated on 05/14/2010

PLEASE CHECK WWW.MOLEX.COM FOR LATEST PART INFORMATION



75861-4***

COLUMN

01 = 10
02 = 25
05 = 5

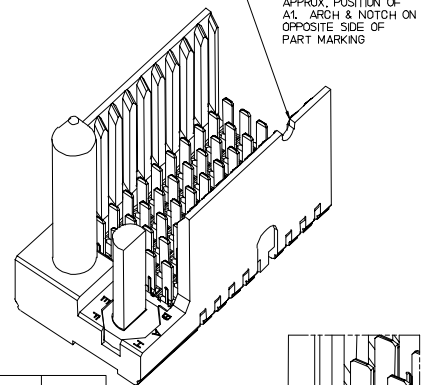
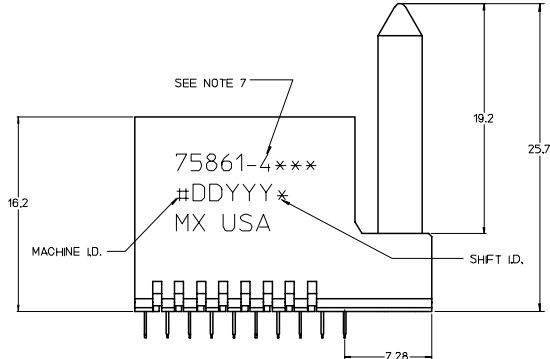
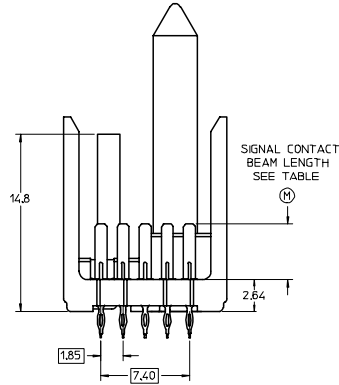
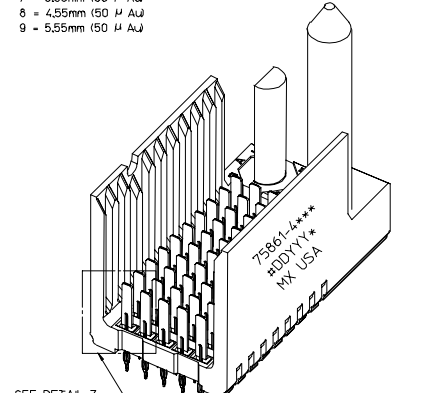
SIGNAL LENGTH DIMENSION "M"

3 = 3.55mm (30 μ A μ)
4 = 4.55mm (30 μ A μ)
5 = 5.55mm (30 μ A μ)
7 = 3.55mm (50 μ A μ)
8 = 4.55mm (50 μ A μ)
9 = 5.55mm (50 μ A μ)

KEYING POSITION

0 = NONE
1 = A
2 = B
ETC.

CONFIGURATION			
ASSEMBLY NO.	K	N	(L)
75861-25**	4	7.40	16.53
75861-41**	9	16.65	24.78
75861-22**	24	44.40	52.53



P/N	--*0*	--*1*	--*2*	--*3*	--*4*	--*5*	--*6*	--*7*	--*8*
75861-1)	0	A	B	C	D	E	F	G	H
KEYING PIN ORIENTATION									

- NOTES:
- MATERIAL: HOUSING - LIQUID CRYSTAL POLYMER (LCP), GLASS-FILLED, UL 94V-0, GRAY. SIGNAL CONTACTS - HIGH PERFORMANCE COPPER ALLOY.
 - FINISHES: SELECTIVE GOLD (Au) ON CONTACT AREA, SELECTIVE TIN/LEAD (Sn/Pb) ON TAIL AREA, NICKEL (Ni) OVERALL.
 - 10-COLUMN ASSEMBLY SHOWN AS REFERENCE. SEE TABLE AND CHART FOR OTHER OPTIONS.
 - PARTS PACKAGED PER PK-70873-5058.
 - THIS PART CONFORMS TO MOLEX PRODUCT SPECIFICATION PS-75221-999.
 - FOR MIXED CONTACT LENGTHS CONSULT MOLEX.
 - EITHER MARK PART NUMBER AND DATE CODE APPROXIMATELY WHERE SHOWN OR PLACE A LABEL ON THE TUBE.
 - MINIMUM CIRCUIT BOARD THICKNESS: 1.6
 - OPTIONAL HOLE LOCATION FOR GROUNDED GUIDE PIN OR FOR ADDITIONAL GUIDE PIN SUPPORT. FOR GROUNDED GUIDE, HOLE TO BE PLATED, DRILL SIZE $\phi 2.58$, PAD SIZE $\phi 5.50$
 - THESE PARTS CONFORM TO MOLEX COSMETIC SPECIFICATION PS-45499-002 CLASS B.

REVISED EC NO: UCP2007-2780 DRAWN: JB INGHAM CHKD: CHPKD APPR: SREED 2007/05/02 2007/05/02 2007/05/02	QUALITY SYMBOLS	GENERAL TOLERANCES (UNLESS SPECIFIED)	DIMENSION STYLE	SCALE	DESIGN UNITS	THIRD ANGLE PROJECTION	
	$\nabla=0$	mm INCH	MM ONLY	5:1	METRIC		
	$\nabla=0$	4 PLACES ± --- ± --- 3 PLACES ± --- ± --- 2 PLACES ± --- ± --- 1 PLACE ± --- ± ---	DRAWN BY DATE JB INGHAM 2006/02/06 CHECKED BY DATE KMULVEY 2006/02/06 APPROVED BY DATE SREED 2006/02/06	TITLE	GBX 2-PAIR L-SERIES RIGHT END BACKPLANE SALES ASSEMBLY DRAWING		
	ANGULAR ± --- °	DRAFT WHERE APPLICABLE MUST REMAIN WITHIN DIMENSIONS	SEE CHART	MATERIAL NO.	DOCUMENT NO.	SHEET NO. 1 OF 1	