

PLEASE CHECK WWW.MOLEX.COM FOR LATEST PART INFORMATION

Part Number: [1200661273](#)
Status: **Active**
Overview: [microchange m12 connectors](#)
Description: Micro-Change® (M12) 4 Pole, Female (90°) to Male (Straight) Cordset, 4-22 AWG PVC Cable, 5.0M (16.40')

Documents:

[Drawing \(PDF\)](#) [RoHS Certificate of Compliance \(PDF\)](#)

Agency Certification

CSA LR6837
 UL E152210

General

Product Family Industrial Cordsets
 Series [120066](#)
 Connector End A Micro-Change® (M12)
 Connector End B Micro-Change® (M12)
 IP Rating IP68
 NEMA Rating NEMA 6
 Overview [microchange m12 connectors](#)
 Product Name Micro-Change® (M12)
 Type Double Ended

Physical

Cable Diameter 5.08mm (.200")
 Cable Length 5.0m (16.40')
 Color - Cable Jacket Yellow
 Coupling Style Threaded
 Gender Female-Male
 Keyway Single
 LED Indicator No
 Material - Cable Jacket PVC
 Material - Connector Body PUR
 Material - Contact Copper
 Material - Coupling Nut Nickel-plated Brass
 Material - O-Ring Viton
 Material - Plating Mating Gold over Nickel
 Orientation 90° to Straight
 Poles 4
 Temperature Range - Operating -20°C to +105°C
 Wire Size AWG 22
 Wire/Cable Type UL 2661

Electrical

Current - Maximum per Contact 4A
 Voltage - Maximum 250V AC/DC

Material Info

Old Part Number 884031A09M050

Reference - Drawing Numbers

Sales Drawing SD-120066-013

EU RoHS

**ELV and RoHS
 Compliant
 REACH SVHC
 Not Reviewed
 Halogen-Free
 Status
 Not Reviewed**

China RoHS



**Need more information on product
 environmental compliance?**

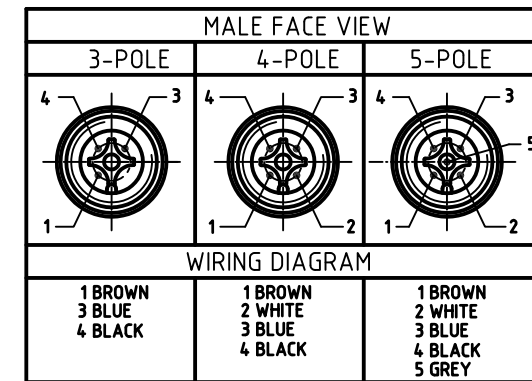
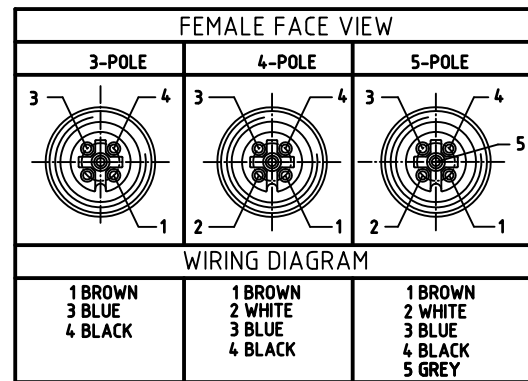
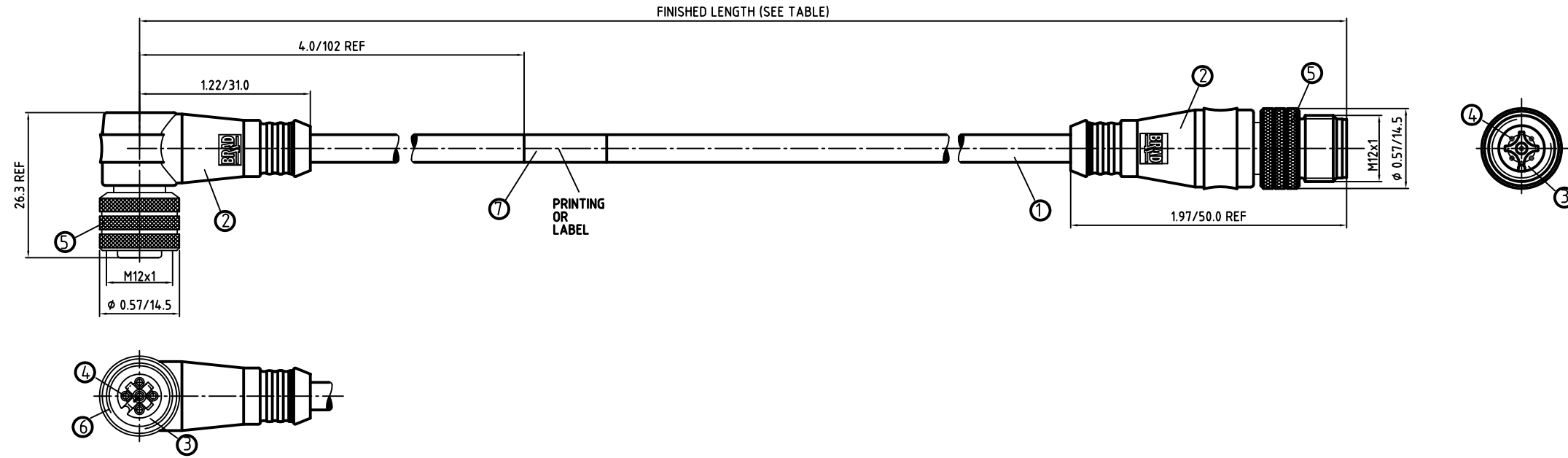
Email productcompliance@molex.com
 For a multiple part number RoHS Certificate of
 Compliance, [click here](#)

Please visit the [Contact Us](#) section for any
 non-product compliance questions.

Search Parts in this Series

[120066Series](#)

PLEASE CHECK WWW.MOLEX.COM FOR LATEST PART INFORMATION



CONNECTOR SPECIFICATION:

| | |
|-----------------------|---------------------------------|
| VOLTAGE RATING | 250 VAC/VDC |
| AMPERAGE RATING | max. 4 AMPS |
| PROTECTION | IP67 |
| OPERATING TEMPERATURE | -20°C TO 105°C |
| UL CERTIFICATIONS | UL RECOGNIZED, FILE NO. E152210 |
| ASSEMBLY IS | RoHS COMPLIANT |

| ITEM | COMPONENT | MATERIAL | FINISH |
|------|--|--------------------|------------------|
| 6 | LABLE | MYLAR | BLACK/YELLOW |
| 5 | COUPLER | BRASS | NICKEL PLATED |
| 4 | PIN CONTACT | COPPER ALLOY | GOLD OVER NICKEL |
| 3 | INSERT | NYLON | BLACK |
| 2 | OVERMOLD | POLYURETHANE (PUR) | YELLOW |
| 1 | CABLE- 22/3-5 (COPPER STRANDING) 3/4/5 CONDUCT. 300V | JACKET: PVC | JACKET: YELLOW |

| | | | | | |
|---|---|---|---|--|--|
| DESCRIPTION EC NO.: WEU2010-0288 DRWN: LSTEMMLE 2010/01/25 CHKD: NS APPR: NSTAUDIG 2010/01/29 | QUALITY SYMBOLS ▽ = 0 ▽/C = 0 | GENERAL TOLERANCES (UNLESS SPECIFIED) mm INCH 4 PLACES ±--- ±--- 3 PLACES ±--- ±--- 2 PLACES ±--- ±.01 1 PLACE ±0.3 ±--- ANGULAR ± --- ° | DIMENSION STYLE IN/MM DRAWN BY DATE LSTEMMLE 2010/01/25 CHECKED BY DATE RE 2010/01/26 APPROVED BY DATE NSTAUDIG 2010/01/29 | SCALE 2:1 DESIGN UNITS METRIC THIRD ANGLE PROJECTION | MICRO-CHANGE CORDSET 3/4/5 P. FE 90 / MA STR 22/3-5 YELLOW PVC CABLE |
| | DRAFT WHERE APPLICABLE MUST REMAIN WITHIN DIMENSIONS | SEE TABLE SHEET 2 | MATERIAL NO. SD-120066-013 | DOCUMENT NO. SD-120066-013 | SHEET NO. 1 OF 1 |
| | THIS DRAWING CONTAINS INFORMATION THAT IS PROPRIETARY TO MOLEX INCORPORATED AND SHOULD NOT BE USED WITHOUT WRITTEN PERMISSION | | | | |
| | SIZE A3 | | | | |

| POL | MATERIAL NUMBER | ENGINEERING NUMBER | FINISHED LENGTH |
|-----|-----------------|--------------------|---------------------------------|
| 3 | 1200661137 | 883031A09M010 | 1.0M +55.6 -0 [3.28' +2.19" -0] |

| POL | MATERIAL NUMBER | ENGINEERING NUMBER | FINISHED LENGTH |
|-----|-----------------|--------------------|-----------------------------------|
| 4 | 1200661262 | 884031A09M010 | 1.0M +55.6 -0 [3.28' +2.19" -0] |
| 4 | 1200661263 | 884031A09M012 | 1.2M +55.6 -0 [4.04' +2.19" -0] |
| 4 | 1200661264 | 884031A09M015 | 1.5M +55.6 -0 [4.91' +2.19" -0] |
| 4 | 1200661265 | 884031A09M020 | 2.0M +88.9 -0 [6.56' +3.50" -0] |
| 4 | 1200661267 | 884031A09M022 | 2.2M +88.9 -0 [7.23' +3.50" -0] |
| 4 | 1200661268 | 884031A09M030 | 3.0M +88.9 -0 [9.84' +3.50" -0] |
| 4 | 1200661269 | 884031A09M035 | 3.5M +165.1 -0 [10.02' +6.50" -0] |
| 4 | 1200661270 | 884031A09M040 | 4.0M +165.1 -0 [13.12' +6.50" -0] |
| 4 | 1200661272 | 884031A09M045 | 4.5M +165.1 -0 [14.76' +6.50" -0] |
| 4 | 1200661273 | 884031A09M050 | 5.0M +165.1 -0 [16.40' +6.50" -0] |

| POL | MATERIAL NUMBER | ENGINEERING NUMBER | FINISHED LENGTH |
|-----|-----------------|--------------------|---------------------------------|
| 5 | 1200661389 | 885031A09M010 | 1.0M +55.6 -0 [3.28' +2.19" -0] |

| | | | | | | | | | | |
|---|--------------------|--|---|---|--|---|-----------------------------|---------------------------|-------------------------------|---------------------|
| DESCRIPTION EC NO.: WEU2010-0288 DRWN: LSTEMMLE 2010/01/25 CHKD: NS APPR: NSTAUDIG 2010/01/29 | DESCRIPTION REV | QUALITY SYMBOLS ▽ = 0 ◻ = 0 | GENERAL TOLERANCES (UNLESS SPECIFIED) mm INCH 4 PLACES ±--- ±--- 3 PLACES ±--- ±--- 2 PLACES ±--- ±.01 1 PLACE ±0.3 ±--- ANGULAR ± --- ° | DIMENSION STYLE IN/MM DRAWN BY DATE LSTEMMLE 2010/01/25 CHECKED BY DATE RE 2010/01/26 APPROVED BY DATE NSTAUDIG 2010/01/29 | SCALE 2:1 DESIGN UNITS METRIC THIRD ANGLE PROJECTION | MICRO-CHANGE CORDSET 3/4/5 P. FE 90 / MA STR 22/3-5 YELLOW PVC CABLE | molex MOLEX INCORPORATED | MATERIAL NO. SEE TABLE | DOCUMENT NO. SD-120066-013 | SHEET NO. 1 OF 1 |
| | | DRAFT WHERE APPLICABLE MUST REMAIN WITHIN DIMENSIONS | | | SIZE A3 | THIS DRAWING CONTAINS INFORMATION THAT IS PROPRIETARY TO MOLEX INCORPORATED AND SHOULD NOT BE USED WITHOUT WRITTEN PERMISSION | | | | |