

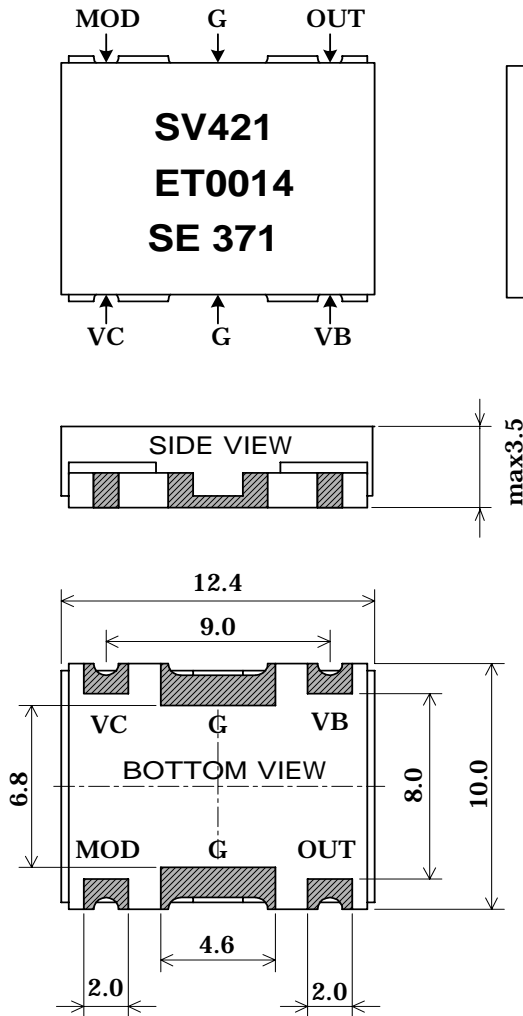
1. APPLICATION

Transceiver TX

2. PART No.

SV421ET0014

3. DIMENSIONS

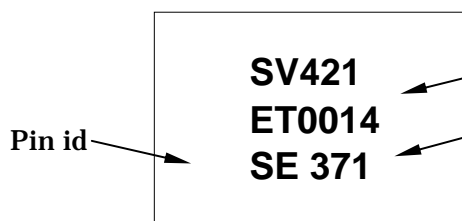


OUT : RF OUTPUT
 VB : POWER SUPPLY
 VC : CONTROL VOLT.
 G : GROUND
 MOD : MODULATION
 NOTE : There is no mark of terminals on the case.

: Terminal electrodes

Unit : mm
 Tolerances :
 Unless otherwise specified, +/-0.3mm

4. MARKING



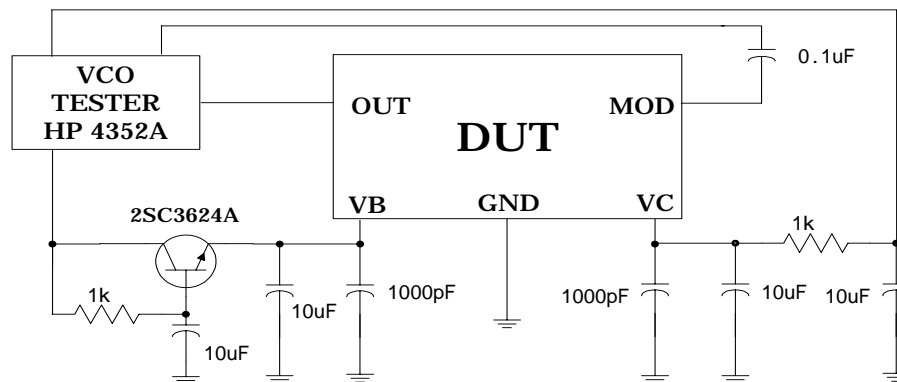
PART No.
 SE : Manufacture's Mark
 3 : last numeral of production year
 7 : production month 1,2,3...X,Y,Z
 1 : product No.

5. LIMITING VALUES

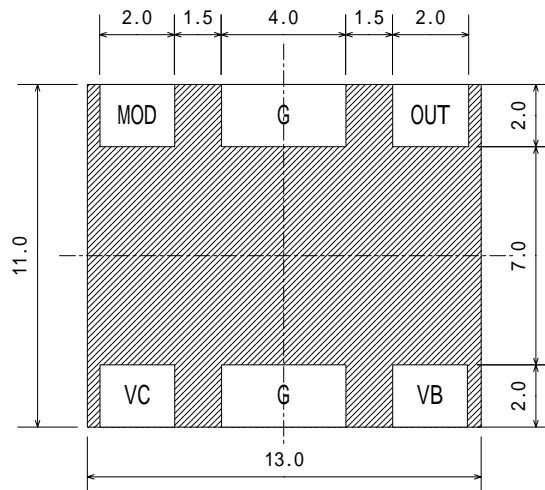
Item	Test Condition	Value			Unit
		min.	typ.	max.	
Supply Voltage	VB	2.85	3.0	3.15	V
Control Voltage Range	VC	0.5	1.25	2.0	V
Current Consumption	VB=3.0V, -10Deg.C up to +60Deg.C	-	4.8	5.5	mA
Oscillation Frequency	VC=0.5V, -10Deg.C up to +60Deg.C	-	417.8	421.57	MHz
	VC=2.0V, -10Deg.C up to +60Deg.C	423.0	426.8	-	
Control Voltage Sensitivity	VC=0.5V up to 2.0V average	4.5	6	7.5	MHz/V
Output Level	Load=50ohm, +25Deg.C +/- 5Deg.C	-4.0	-1.0	+2.0	dBm
	Load=50ohm, -10Deg.C up to +60Deg.C	-5.0	-	+3.0	
Phase Noise	offset=12.5kHz, -10Deg.C up to +60Deg.C	106	111	-	dBc/Hz
Audio Mod Sensitivity	fm=1kHz, Vm=100mVrms	1.0	1.5	2.0	kHz
Pushing Figure	VB=3.0V +/- 0.15V, ref=3.0V	-0.5	-	+0.5	MHz
Pulling Figure	VSWR=2 for all phase, ref=50ohm	-0.5	-	+0.5	MHz
Temperature Stability	-10Deg.C up to +60Deg.C, ref=+25Deg.C	-1	-	+1	MHz
Harmonic Suppression	Till Third harmonics	-	-25	-10	dBc
Operating Temp. Range		-10	-	+60	Deg.C
Storage Temp. Range		-40	-	+85	Deg.C

Note: Unless otherwise VB=3.0V, VC=1.25V, Ta=+25Deg.C +/- 5Deg.C, Load=50ohm

6. MEASUREMENT PROCEDURE



7. RECOMMENDED LAND PATTERN



Note :

Any line pattern shall be avoided on shaded portion.

Unit : mm