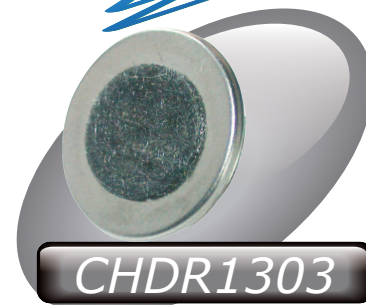
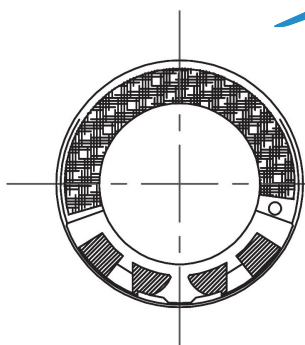
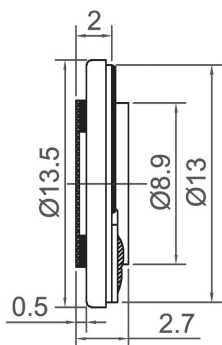
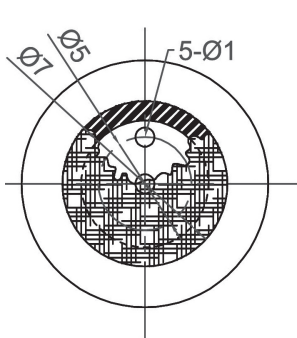
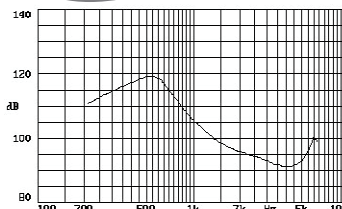


# Dynamic Receiver (Hearing Aid)



**CHDR1303**

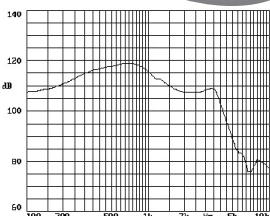
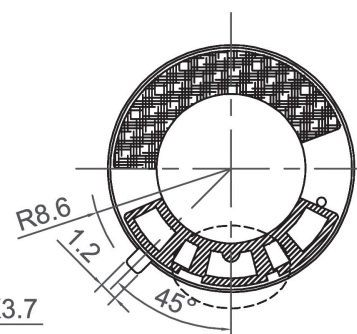
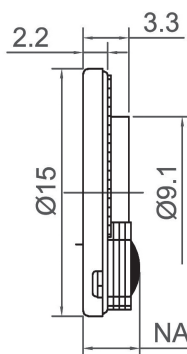
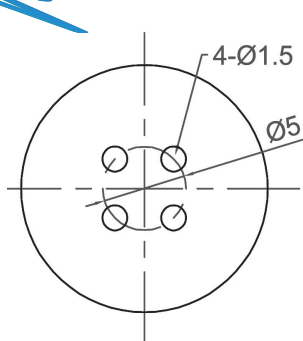
Canopus Part no.	Sensitivity At 1KHz (dB)	AC Impedance At 1KHz ( $\Omega$ )	Input At 1KHz	Terminal	Housing	Weight (g)	HAC Compatible
CHDR1303D104AZ	104 $\pm$ 3	32 $\pm$ 10%	240mV	Solder Pad	Metal	1	YES



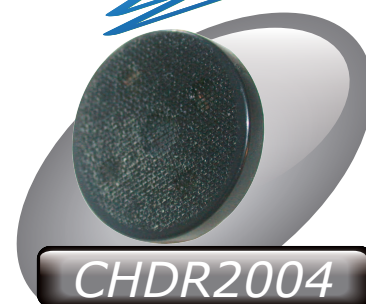
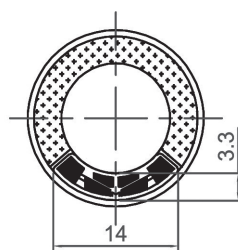
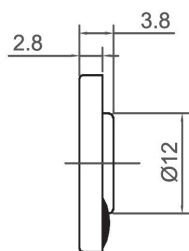
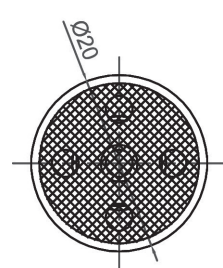
CANOPUS



**CHDR1503**

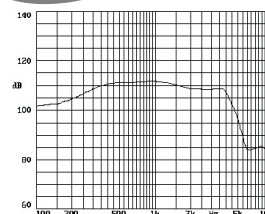


Canopus Part no.	Sensitivity At 1KHz (dB)	AC Impedance At 1KHz ( $\Omega$ )	Input At 1KHz	Terminal	Housing	Weight (g)	HAC Compatible
CHDR1503D114AZ	114 $\pm$ 3	32 $\pm$ 15%	350mV	Solder Pad	Metal	1.4	YES



**CHDR2004**

Canopus Part no.	Sensitivity At 1KHz (dB)	AC Impedance At 1KHz ( $\Omega$ )	Input At 1KHz	Terminal	Housing	Weight (g)	HAC Compatible
CHDR2004G088BZ	88 $\pm$ 3	150 $\pm$ 20%	60mV	Solder Pad	ABS	3	YES
CHDR2004G093BW	93 $\pm$ 3	150 $\pm$ 20%	60mV	Leadwire	ABS	8	YES
CHDR2004G110BZ	110 $\pm$ 3	150 $\pm$ 20%	500mV	Solder Pad	ABS	2.4	YES



**Your Efficient Supplier**  
[www.canopus.com.hk](http://www.canopus.com.hk)

TEL.: (852) 2806 2812

Fax: (852) 2652 2216