

PLEASE CHECK WWW.MOLEX.COM FOR LATEST PART INFORMATION

Part Number: [0190100032](#)
Status: **Active**
Description: Krimptite™ Piggyback Quick Disconnect , Tab 6.35mm (.250") by 0.81mm (.032"), 10-12 AWG

Documents:

[Drawing \(PDF\)](#)

[RoHS Certificate of Compliance \(PDF\)](#)

General

Product Family	Quick Disconnects
Series	19010
Crimp Quality Equipment	Yes
Product Name	Krimptite™
Type	Quick Disconnect

Physical

Barrel Type	Closed
Gender	Female
Glow-Wire Compliant	No
Insulation	None
Lock to Mating Part	No
Orientation	Straight
Packaging Type	Adhesive Tape on Reel
Polarized to Mating Part	Yes
Tab Thickness	0.81mm (.032")
Tab Width	6.35mm (.250")
Temperature Range - Operating	149°C
Wire Insulation Diameter	3.56mm (.140") max.
Wire Size AWG	14, 16
Wire Size mm²	1.30 - 2.00

Electrical

Voltage - Maximum	N/A
-------------------	-----

Material Info

Old Part Number	BB-1302T
-----------------	----------

Reference - Drawing Numbers

Sales Drawing	SD-19010-001
---------------	--------------

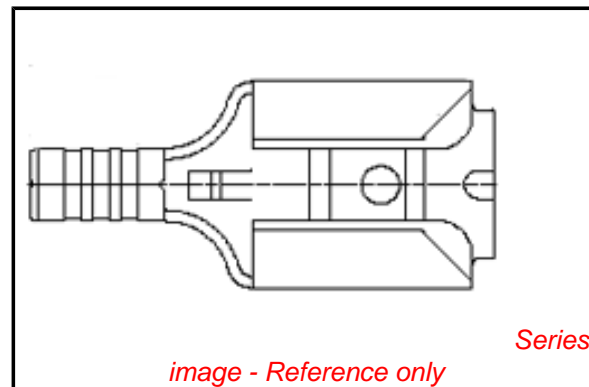


image - Reference only

EU RoHS

**ELV and RoHS
Compliant**

REACH SVHC

Contains SVHC: No

Halogen-Free

Status

Not Reviewed

China RoHS



**Need more information on product
environmental compliance?**

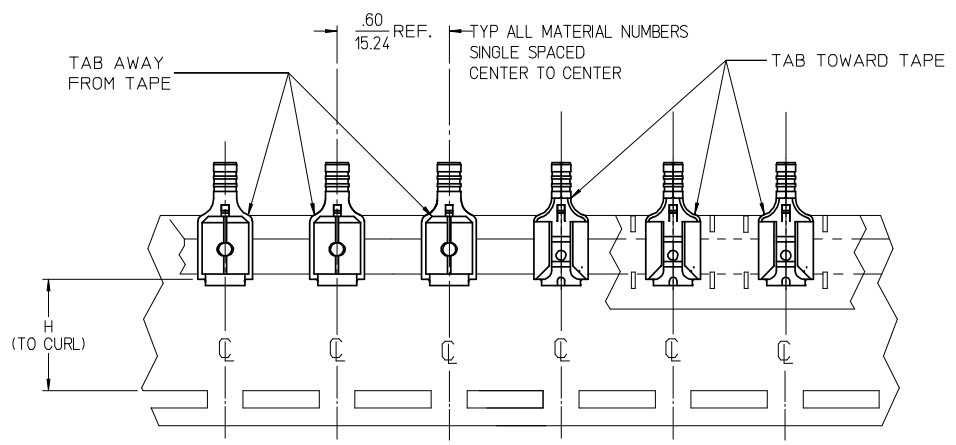
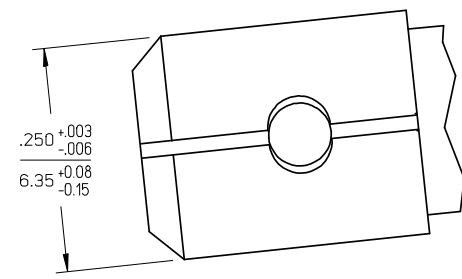
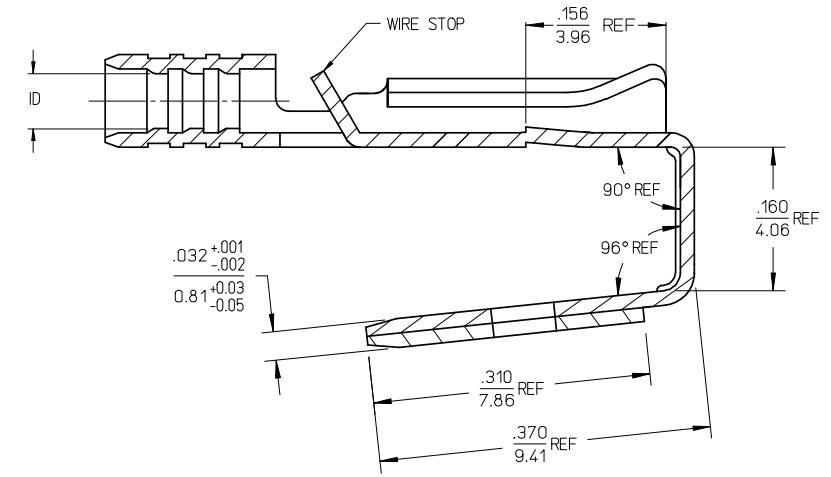
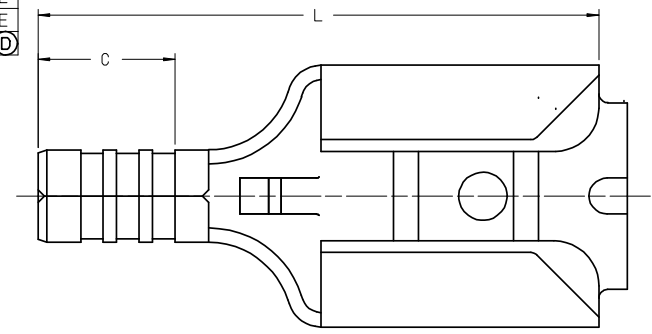
Email productcompliance@molex.com
 For a multiple part number RoHS Certificate of
 Compliance, [click here](#)

Please visit the [Contact Us](#) section for any
 non-product compliance questions.

Search Parts in this Series

[19010Series](#)

MATERIAL NO. LOOSE PC	ENGINEERING NO. LOOSE PC	MATERIAL NO. ON TAPE	ENGINEERING NO. ON TAPE	WIRE SIZE	ID MINIMUM	C ±.015/0.38	L ±.030/0.76	H NOMINAL	BARE TAB POSITION
190100027	AA-1301	190100031	AA-1301T	22-18 AWG	.055/1.40	.190/4.83	.625/15.88	.540/13.72	AWAY FROM TAPE
190100028	BB-1302	190100032	BB-1302T	16-14 AWG	.080/2.03	.190/4.83	.625/15.88	.540/13.72	AWAY FROM TAPE
190100029	C-1303	190100033	C-1303T	12-10 AWG	.169/4.29	.254/6.45	.685/17.40	.565/14.35	TOWARD TAPE



PARTS ON TAPE (SCALE 2:1)

- NOTES:
1. TERMINAL MATERIAL: BRASS
 2. TERMINAL FINISH: TIN PLATED
 3. PART IS ROHS COMPLIANT.

TAPE ORIENTATION EC NO: WNA 2008-0032 DRAWN: ETHRODAHL 2008/02/14 CHKD: JMACNEIL 2008/03/11 APPR: JMACNEIL 2008/03/11	QUALITY SYMBOLS ▽=0 ▽=0	GENERAL TOLERANCES (UNLESS SPECIFIED)		DIMENSION STYLE IN/MM		SCALE 10:1	DESIGN UNITS INCH	THIRD ANGLE PROJECTION
		4 PLACES ± --- ± --- 3 PLACES ± --- ± .005 2 PLACES ± 0.13 ± .01 1 PLACE ± 0.25 ± --- ANGULAR ± 1/2°	mm INCH ± --- ± --- ± .005 ± .01 ± ---	DRAWN BY JH	DATE 1996/03/19	TITLE PIGGYBACK QD, .250 X .032 TAB, KRIMPTITE		
DRAFT WHERE APPLICABLE MUST REMAIN WITHIN DIMENSIONS		SEE CHART		APPROVED BY RWD	DATE 1996/03/19	MOLEX INCORPORATED		
REV		MATERIAL NO. SEE CHART		DOCUMENT NO. SD-19010-001		SHEET NO. 1 OF 1		