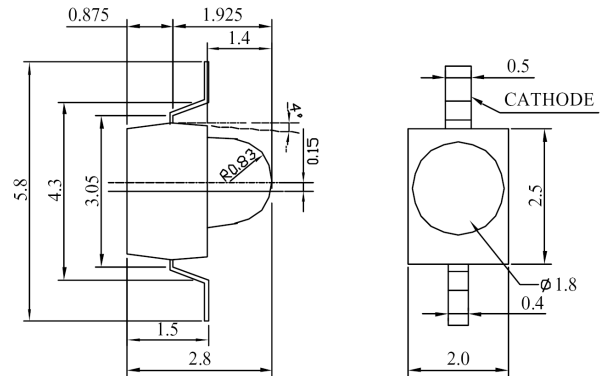


**MTSM0302AZ-HR**

**Features**

Compatible with Automatic Placement Equipment  
Packaged in 12.0mm Tape on 7" Diameter Reels  
Surface Mount LED Lamp  
Long Life Solid State Reliability



**Maximum Ratings (Ta=25°C)**

Characteristic	Symbol	Max.	Unit
Forward Current	I <sub>F</sub>	30	mA
Reverse Voltage	V <sub>R</sub>	4	V
Power Dissipation	P <sub>D</sub>	72.00	mW
Operating Temperature	T <sub>opr</sub>	-25 ~ +85	°C
Storage Temperature	T <sub>stg</sub>	-40 ~ +100	°C
Soldering Temperature	T <sub>sol</sub>	260	°C
Soldering Time	-	for 5 sec. max	-

Notes:

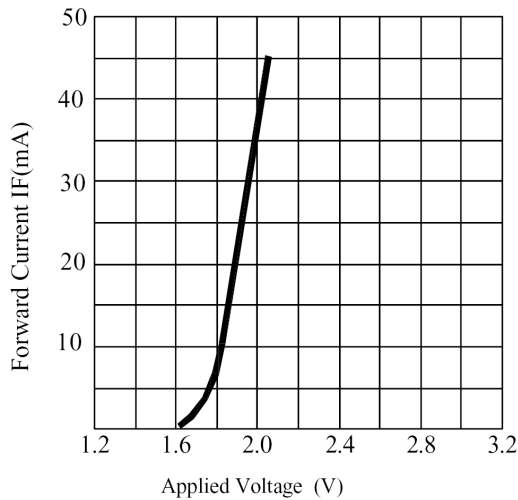
1. All dimensions are in millimeters.
2. Tolerance is ±0.25mm unless otherwise noted.

**Opto-Electrical Characteristics (Ta=25°C)**

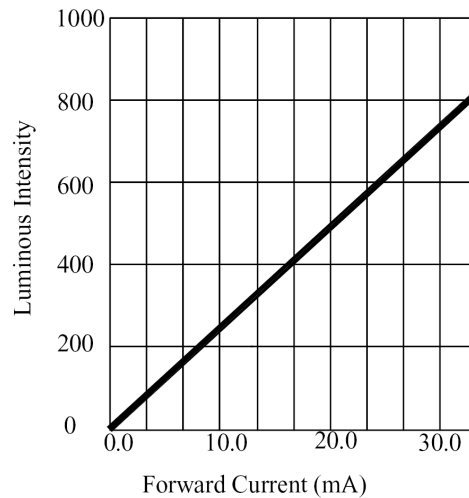
Characteristic	Symbol	Test Condition	Min	Typ	Max	Unit
Forward Voltage	V <sub>F</sub>	I <sub>F</sub> =20mA	-	1.90	2.40	V
Reverse Current	I <sub>R</sub>	V <sub>R</sub> =4V	-	-	100	μ A
Luminous Intensity	I <sub>v</sub>	I <sub>F</sub> =20mA	300.00	500.00	-	mcd
Viewing Angle	2θ <sup>1/2</sup>	-	-	36°	-	deg.
Peak Wavelength	λ <sub>p</sub>	I <sub>F</sub> =20mA	-	650	-	nm
Dominant Wavelength	λ <sub>d</sub>	I <sub>F</sub> =20mA	-	639	-	nm
Spectral Line Half Width	Δλ	I <sub>F</sub> =20mA	-	20	-	nm

**MTSM0302AZ-HR Graphs**

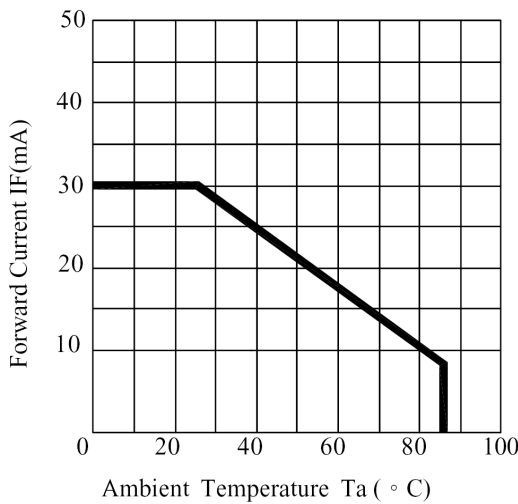
**Typical Electrical / Optical Characteristics Curves :**



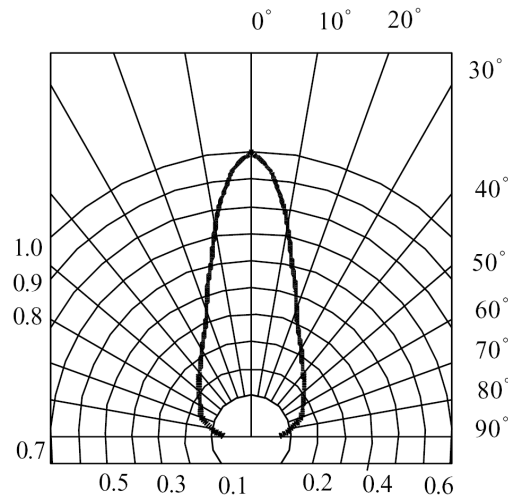
**FORWARD CURRENT VS. APPLIED VOLTAGE**



**FORWARD CURRENT VS. LUMINOUS INTENSITY**



**AMBIENT TEMPERATURE VS. FORWARD CURRENT**



**RADIATION DIAGRAM**