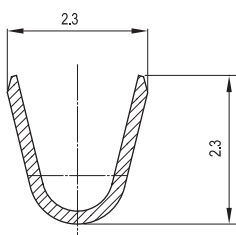
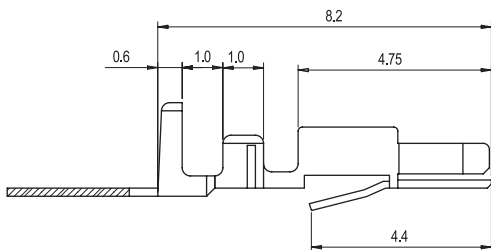
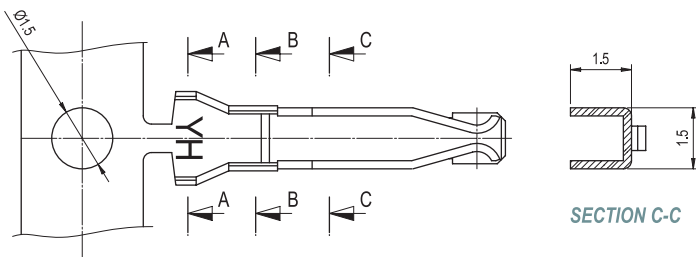
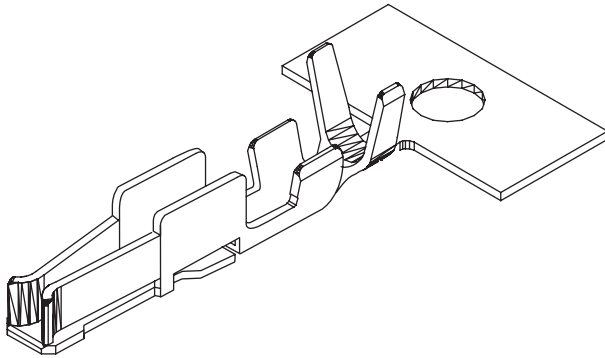


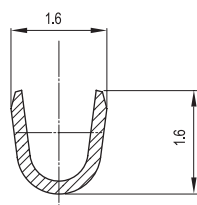
# 3.50mm (0.138") PITCH CONNECTOR

Wire-to-Board  
Crimp Terminal

35001TS-L



SECTION A-A



SECTION B-B

## Material

I/NO	DESCRIPTION	TITLE	AWG	MATERIAL	FINISH
1	TERMINAL	35001TS-L	#24~#28	Phosphor Bronze	Tin Plated

## Specification

ITEM	SPEC
Voltage Rating	AC/DC 1400V
Current Rating	AC/DC 1A
Operating Temperature	-25°C~+85°C
Contact Resistance	30mΩ MAX
Withstanding Voltage	AC3800V/1min
Insulation Resistance	1000MΩ MIN
Applicable Wire	AWG #24~#28
Applicable P.C.B	-
Applicable FPC/FFC	-
Solder Height	-
Crimp Tensile Strength	AWG #24 : 2.0kgfMIN AWG #26 : 1.5kgfMIN AWG #28 : 1.0kgfMIN
UL FILE NO	-