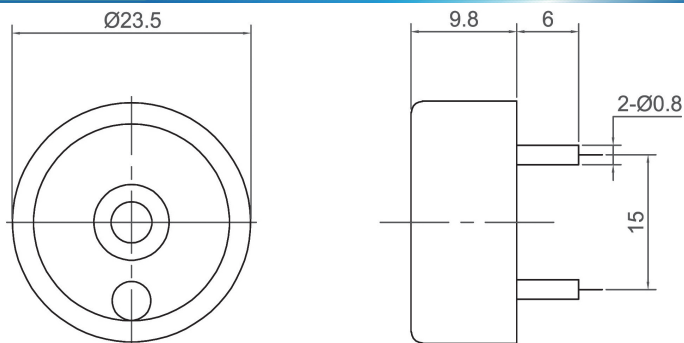


Piezo Buzzer (DC)

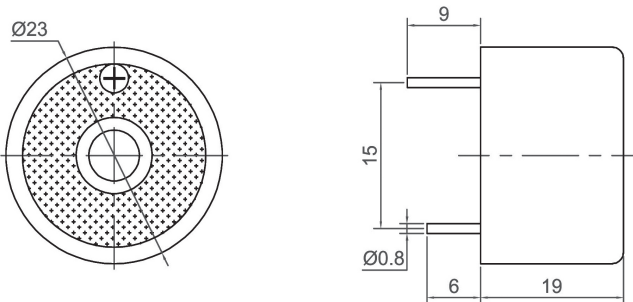


CPB2310

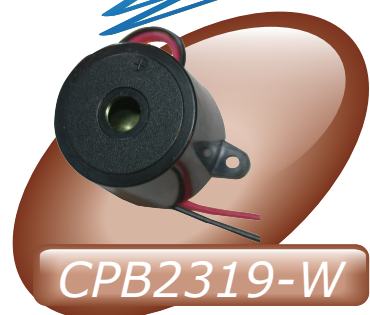
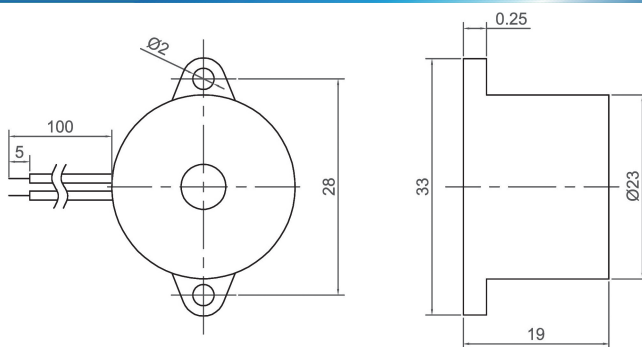
Canopus Part no.	Operating Voltage (VDC)	Rated Voltage (VDC)	Max Rated Current (mA)	Min Sound Output (dBA)	Resonant Frequency (Hz)	Tone Nature	Operating Temperature (°C)	Housing	Weight (g)
CPB2310EC35TP	1.5 ~ 18	5	10	80 at 30cm	3500 ± 500	Continuous	-20 ~ +70	PBT	4
CPB2310HC35TP	1.5 ~ 28	12	10	85 at 30cm	3500 ± 500	Continuous	-20 ~ +60	PBT	4
CPB2310IC35TP	12 ~ 36	24	10	85 at 30cm	3500 ± 500	Continuous	-20 ~ +60	PBT	4



CPB2319-P



Canopus Part no.	Operating Voltage (VDC)	Rated Voltage (VDC)	Max Rated Current (mA)	Min Sound Output (dBA)	Resonant Frequency (Hz)	Tone Nature	Operating Temperature (°C)	Housing	Weight (g)
CPB2319HC33BP	1 ~ 18	12	15	90 at 30cm	3300 ± 500	Continuous	-20 ~ +60	ABS	8
CPB2319IC34BP	18 ~ 28	24	20	90 at 30cm	3400 ± 500	Continuous	-20 ~ +60	ABS	8
CPB2319LC33BP	10 ~ 130 VAC	110 VAC	10	85 at 30cm	3300 ± 500	Continuous	-20 ~ +60	ABS	8
CPB2319MC33BP	30 ~ 264 VAC	220	5	80 at 30cm	3300 ± 500	Continuous	-20 ~ +60	ABS	8



CPB2319-W

Canopus Part no.	Operating Voltage (VDC)	Rated Voltage (VDC)	Max Rated Current (mA)	Min Sound Output (dBA)	Resonant Frequency (Hz)	Tone Nature	Operating Temperature (°C)	Housing	Weight (g)
CPB2319HC33BW	1 ~ 18	12	15	90 at 30cm	3300 ± 500	Continuous	-20 ~ +60	ABS	8
CPB2319IC34BW	18 ~ 28	24	20	90 at 30cm	3400 ± 500	Continuous	-20 ~ +60	ABS	8
CPB2319LC33BW	10 ~ 130 VAC	110 VAC	10	85 at 30cm	3300 ± 500	Continuous	-20 ~ +60	ABS	8
CPB2319MC33BW	30 ~ 264 VAC	220	5	80 at 30cm	3300 ± 500	Continuous	-20 ~ +60	ABS	8

CANOPUS

Your Efficient Supplier
www.canopus.com.hk

TEL.: (852) 2806 2812

Fax: (852) 2652 2216