

REVISIONS

LTR	DESCRIPTION	DATE (YR-MO-DA)	APPROVED

REV																			
SHEET																			
REV																			
SHEET	15	16																	

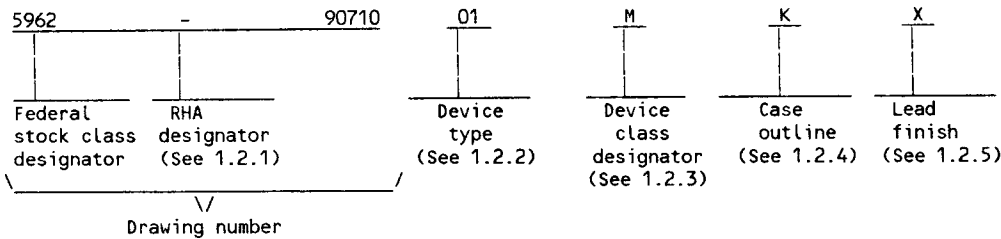
REV STATUS OF SHEETS	REV																		
	SHEET	1	2	3	4	5	6	7	8	9	10	11	12	13	14				

PMIC N/A	PREPARED BY <i>Larry T. Dauder</i>	DEFENSE ELECTRONICS SUPPLY CENTER DAYTON, OHIO 45444		
<b>STANDARDIZED MILITARY DRAWING</b>  THIS DRAWING IS AVAILABLE FOR USE BY ALL DEPARTMENTS AND AGENCIES OF THE DEPARTMENT OF DEFENSE  AMSC N/A	CHECKED BY <i>Tim H. Noh</i>	MICROCIRCUIT, DIGITAL, BIPOLAR, ADVANCED LOW POWER SCHOTTKY TTL, 10-BIT BUS INTERFACE D-TYPE LATCHES WITH THREE-STATE OUTPUTS, MONOLITHIC SILICON		
	APPROVED BY <i>April L. Peltz</i>			
	DRAWING APPROVAL DATE 92-03-09	SIZE <b>A</b>	CAGE CODE <b>67268</b>	<b>5962-90710</b>
	REVISION LEVEL	SHEET 1 OF 16	<b>1</b>	

1. SCOPE

1.1 Scope. This drawing forms a part of a one part - one part number documentation system (see 6.6 herein). Two product assurance classes consisting of military high reliability (device classes B, Q, and M) and space application (device classes S and V), and a choice of case outlines and lead finishes are available and are reflected in the Part or Identifying Number (PIN). Device class M microcircuits represent non-JAN class B microcircuits in accordance with 1.2.1 of MIL-STD-883, "Provisions for the use of MIL-STD-883 in conjunction with compliant non-JAN devices". When available, a choice of radiation hardness assurance (RHA) levels are reflected in the PIN.

1.2 PIN. The PIN shall be as shown in the following example:



1.2.1 Radiation hardness assurance (RHA) designator. Device classes M, B, and S RHA marked devices shall meet the MIL-M-38510 specified RHA levels and shall be marked with the appropriate RHA designator. Device classes Q and V RHA marked devices shall meet the MIL-I-38535 specified RHA levels and shall be marked with the appropriate RHA designator. A dash (-) indicates a non-RHA device.

1.2.2 Device type(s). The device type(s) shall identify the circuit function as follows:

<u>Device type</u>	<u>Generic number</u>	<u>Circuit function</u>
01	54ALS29842	10-bit bus interface D-type latches with three-state outputs

1.2.3 Device class designator. This device class designator shall be a single letter identifying the product assurance level as follows:

<u>Device class</u>	<u>Device requirements documentation</u>
M	Vendor self-certification to the requirements for non-JAN class B microcircuits in accordance with 1.2.1 of MIL-STD-883
B or S	Certification and qualification to MIL-M-38510
Q or V	Certification and qualification to MIL-I-38535

1.2.4 Case outline(s). For device classes M, B, and S, case outline(s) shall meet the requirements in appendix C of MIL-M-38510 and as listed below. For device classes Q and V, case outline(s) shall meet the requirements of MIL-I-38535, appendix C of MIL-M-38510, and as listed below.

<u>Outline letter</u>	<u>Case outline</u>
K	F-6 (24-lead, .640" x .420" x .090"), flat package
L	D-9 (24-lead, 1.280" x .310" x .200"), dual-in-line package
3	C-4 (28-terminal, .460" x .460" x .100"), square chip carrier package

<b>STANDARDIZED MILITARY DRAWING DEFENSE ELECTRONICS SUPPLY CENTER DAYTON, OHIO 45444</b>	<b>SIZE A</b>	<b>5962-90710</b>
	<b>REVISION LEVEL</b>	<b>SHEET 2</b>

1.2.5 Lead finish. The lead finish shall be as specified in MIL-M-38510 for classes M, B, and S or MIL-I-38535 for classes Q and V. Finish letter "X" shall not be marked on the microcircuit or its packaging. The "X" designation is for use in specifications when lead finishes A, B, and C are considered acceptable and interchangeable without preference.

1.3 Absolute maximum ratings. 1/

Supply voltage ( $V_{CC}$ )	- - - - -	-0.5 V dc to +7.0 V dc
Input voltage range	- - - - -	-1.2 V dc at -18 mA to +7.0 V dc
Voltage applied to a disabled three-state output	- - - - -	-0.5 V dc to +5.5 V dc
Storage temperature range	- - - - -	-65°C to +150°C
Continuous power dissipation ( $P_D$ ) 2/	- - - - -	467.5 mW
Lead temperature (soldering, 10 seconds)	- - - - -	+300°C
Junction temperature ( $T_J$ )	- - - - -	+175°C
Thermal resistance, junction-to-case ( $\theta_{JC}$ )	- - - - -	See MIL-M-38510, appendix C

1.4 Recommended operating conditions.

Supply voltage ( $V_{CC}$ )	- - - - -	4.5 V dc minimum to 5.5 V dc maximum
Minimum high level input voltage ( $V_{IH}$ )	- - - - -	2.0 V dc
Maximum low level input voltage ( $V_{IL}$ )	- - - - -	0.8 V dc
Maximum high level output current ( $I_{OH}$ )	- - - - -	-18 mA
Maximum low level output current ( $I_{OL}$ )	- - - - -	32 mA
Case operating temperature range ( $T_C$ )	- - - - -	-55°C to +125°C

1.5 Digital logic testing for device classes Q and V.

Fault coverage measurement of manufacturing logic tests (MIL-STD-883, test method 5012) - - - xx percent 3/

2. APPLICABLE DOCUMENTS

2.1 Government specifications, standards, bulletin, and handbook. Unless otherwise specified, the following specifications, standards, bulletin, and handbook of the issue listed in that issue of the Department of Defense Index of Specifications and Standards specified in the solicitation, form a part of this drawing to the extent specified herein.

SPECIFICATIONS

MILITARY

- MIL-M-38510 - Microcircuits, General Specification for.
- MIL-I-38535 - Integrated Circuits, Manufacturing, General Specification for.

STANDARDS

MILITARY

- MIL-STD-480 - Configuration Control-Engineering Changes, Deviations and Waivers.
- MIL-STD-883 - Test Methods and Procedures for Microelectronics.

1/ Stresses above the absolute maximum rating may cause permanent damage to the device. Extended operation at the maximum levels may degrade performance and affect reliability.  
 2/ Continuous power dissipation is defined as  $V_{CC} \times I_{CC}$ . Device must withstand the added  $P_D$  due to short circuit test; e.g.,  $I_{OS}$ .  
 3/ Values will be added when they become available.

<b>STANDARDIZED          MILITARY DRAWING          DEFENSE ELECTRONICS SUPPLY CENTER          DAYTON, OHIO 45444</b>	<b>SIZE          A</b>		<b>5962-90710</b>
		<b>REVISION LEVEL</b>	<b>SHEET          3</b>

BULLETIN

MILITARY

MIL-BUL-103 - List of Standardized Military Drawings (SMD's).

HANDBOOK

MILITARY

MIL-HDBK-780 - Standardized Military Drawings.

(Copies of the specifications, standards, bulletin, and handbook required by manufacturers in connection with specific acquisition functions should be obtained from the contracting activity or as directed by the contracting activity.)

2.2 Order of precedence. In the event of a conflict between the text of this drawing and the references cited herein, the text of this drawing shall take precedence.

3. REQUIREMENTS

3.1 Item requirements. The individual item requirements for device class M shall be in accordance with 1.2.1 of MIL-STD-883, "Provisions for the use of MIL-STD-883 in conjunction with compliant non-JAN devices" and as specified herein. The individual item requirements for device classes B and S shall be in accordance with MIL-M-38510 and as specified herein. For device classes B and S, a full electrical characterization table for each device type shall be included in this SMD. The individual item requirements for device classes Q and V shall be in accordance with MIL-I-38535, the device manufacturer's Quality Management (QM) plan, and as specified herein.

3.2 Design, construction, and physical dimensions. The design, construction, and physical dimensions shall be as specified in MIL-M-38510 for device classes M, B, and S and MIL-I-38535 for device classes Q and V and herein.

3.2.1 Case outline(s). The case outline(s) shall be in accordance with 1.2.4 herein.

3.2.2 Terminal connections. The terminal connections shall be as specified on figure 1.

3.2.3 Truth table. The truth table shall be as specified on figure 2.

3.2.4 Test circuit and switching waveforms. The test circuit and switching waveforms shall be as specified on figure 3.

3.2.5 Radiation exposure circuit. The radiation exposure circuit shall be specified when available.

3.3 Electrical performance characteristics and postirradiation parameter limits. Unless otherwise specified, the electrical performance characteristics and postirradiation parameter limits are as specified in table I and shall apply over the full case operating temperature range.

3.4 Electrical test requirements. The electrical test requirements shall be the subgroups specified in table IIA. The electrical tests for each subgroup are defined in table I.

3.5 Marking. The part shall be marked with the PIN listed in 1.2 herein. Marking for device class M shall be in accordance with MIL-STD-883 (see 3.1 herein). In addition, the manufacturer's PIN may also be marked as listed in MIL-BUL-103. Marking for device classes B and S shall be in accordance with MIL-M-38510. Marking for device classes Q and V shall be in accordance with MIL-I-38535.

3.5.1 Certification/compliance mark. The compliance mark for device class M shall be a "C" as required in MIL-STD-883 (see 3.1 herein). The certification mark for device classes B and S shall be a "J" or "JAN" as required in MIL-M-38510. The certification mark for device classes Q and V shall be a "QML" as required in MIL-I-38535.

<b>STANDARDIZED MILITARY DRAWING DEFENSE ELECTRONICS SUPPLY CENTER DAYTON, OHIO 45444</b>	<b>SIZE A</b>		<b>5962-90710</b>
		<b>REVISION LEVEL</b>	<b>SHEET 4</b>

3.6 Certificate of compliance. For device class M, a certificate of compliance shall be required from a manufacturer in order to be listed as an approved source of supply in MIL-BUL-103 (see 6.7.3 herein). For device classes Q and V, a certificate of compliance shall be required from a QML-38535 listed manufacturer in order to supply to the requirements of this drawing (see 6.7.2 herein). The certificate of compliance submitted to DESC-ECC prior to listing as an approved source of supply for this drawing shall affirm that the manufacturer's product meets, for device class M the requirements of MIL-STD-883 (see 3.1 herein), or for device classes Q and V, the requirements of MIL-I-38535 and the requirements herein.

3.7 Certificate of conformance. A certificate of conformance as required for device class M in MIL-STD-883 (see 3.1 herein) or device classes B and S in MIL-M-38510 or for device classes Q and V in MIL-I-38535 shall be provided with each lot of microcircuits delivered to this drawing.

3.8 Notification of change for device class M. For device class M, notification to DESC-ECC of change of product (see 6.2 herein) involving devices acquired to this drawing is required for any change as defined in MIL-STD-480.

3.9 Verification and review for device class M. For device class M, DESC, DESC's agent and the acquiring activity retain the option to review the manufacturer's facility and applicable required documentation. Offshore documentation shall be made available onshore at the option of the reviewer.

3.10 Microcircuit group assignment for device classes M, B, and S. Device classes M, B, and S devices covered by this drawing shall be in microcircuit group number 11 (see MIL-M-38510, appendix E).

3.11 Serialization for device class S. For device class S, devices shall be serialized in accordance with MIL-M-38510.

#### 4. QUALITY ASSURANCE PROVISIONS

4.1 Sampling and inspection. For device class M, sampling and inspection procedures shall be in accordance with section 4 of MIL-M-38510 to the extent specified in MIL-STD-883 (see 3.1 herein). For device classes B and S, sampling and inspection procedures shall be in accordance with MIL-M-38510 and method 5005 of MIL-STD-883, except as modified herein. For device classes Q and V, sampling and inspection procedures shall be in accordance with MIL-I-38535 and the device manufacturer's QM plan.

4.2 Screening. For device class M, screening shall be in accordance with method 5004 of MIL-STD-883, and shall be conducted on all devices prior to quality conformance inspection. For device classes B and S, screening shall be in accordance with method 5004 of MIL-STD-883, and shall be conducted on all devices prior to qualification and quality conformance inspection. For device classes Q and V, screening shall be in accordance with MIL-I-38535, and shall be conducted on all devices prior to qualification and technology conformance inspection.

##### 4.2.1 Additional criteria for device classes M, B, and S.

a. Burn-in test, method 1015 of MIL-STD-883.

(1) Test condition A, B, C, or D. For device class M, the test circuit shall be submitted to DESC-ECC for review with the certificate of compliance. For device classes B and S, the test circuit shall be submitted to the qualifying activity.

(2)  $T_A = +125^\circ\text{C}$ , minimum.

b. Interim and final electrical test parameters shall be as specified in table IIA herein.

<b>STANDARDIZED MILITARY DRAWING DEFENSE ELECTRONICS SUPPLY CENTER DAYTON, OHIO 45444</b>	<b>SIZE A</b>		<b>5962-90710</b>
		<b>REVISION LEVEL</b>	<b>SHEET 5</b>

TABLE I. Electrical performance characteristics.

Test	Symbol	Conditions -55°C ≤ T <sub>c</sub> ≤ +125°C unless otherwise specified		Group A subgroups	Limits		Unit
					Min	Max	
High level output voltage	V <sub>OH</sub>	V <sub>CC</sub> = 4.5 V V <sub>IN</sub> = V <sub>IL</sub> max, V <sub>IH</sub> min	I <sub>OH</sub> = -12 mA	1, 2, 3	2.4		V
			I <sub>OH</sub> = -18 mA		2.0		
Low level output voltage	V <sub>OL</sub>		I <sub>OL</sub> = 32 mA	1, 2, 3		0.5	V
Input clamp voltage	V <sub>IC</sub>	V <sub>CC</sub> = 4.5 V, I <sub>IN</sub> = -18 mA		1, 2, 3		-1.2	V
Short circuit output current	I <sub>OS</sub>	V <sub>CC</sub> = 5.5 V, V <sub>OUT</sub> = 0 V <u>1</u> /		1, 2, 3	-75	-250	mA
Off-state output current	I <sub>OZH</sub>	V <sub>CC</sub> = 5.5 V, V <sub>OUT</sub> = 2.7 V		1, 2, 3		50	μA
	I <sub>OZL</sub>	V <sub>CC</sub> = 5.5 V, V <sub>OUT</sub> = 0.4 V				-50	
High level input current	I <sub>IH1</sub>	V <sub>CC</sub> = 5.5 V, V <sub>IN</sub> = 5.5 V		1, 2, 3		0.1	mA
	I <sub>IH2</sub>	V <sub>CC</sub> = 5.5 V, V <sub>IN</sub> = 2.7 V		1, 2, 3		20	μA
Low level input current	I <sub>IL</sub>	V <sub>CC</sub> = 5.5 V, V <sub>IN</sub> = 0.4 V		1, 2, 3		-0.5	mA
Supply current	I <sub>CC</sub>	V <sub>CC</sub> = 5.5 V, outputs low		1, 2, 3		85	mA
Functional tests		V <sub>CC</sub> = 4.5 V and 5.5 V, see 4.4.1b		7, 8			
Propagation delay time, C to any Q	t <sub>PLH1</sub>	V <sub>CC</sub> = 5.0 V	C <sub>L</sub> = 50 pF See figure 3	9	1	10.5	ns
		V <sub>CC</sub> = 4.5 V and 5.5 V					
	t <sub>PHL1</sub>	V <sub>CC</sub> = 5.0 V		9	1	10	
		V <sub>CC</sub> = 4.5 V and 5.5 V					

See footnotes at end of table.

STANDARDIZED  
MILITARY DRAWING  
DEFENSE ELECTRONICS SUPPLY CENTER  
DAYTON, OHIO 45444

SIZE  
A

5962-90710

REVISION LEVEL

SHEET

6

TABLE I. Electrical performance characteristics - Continued.

Test	Symbol	Conditions -55°C ≤ T <sub>C</sub> ≤ +125°C unless otherwise specified see figure 3		Group A subgroups	Limits		Unit
					Min	Max	
Propagation delay time, C to any Q	t <sub>PLH2</sub>	V <sub>CC</sub> = 5.0 V	C <sub>L</sub> = 300 pF See figure 3	9	1	17	ns
		V <sub>CC</sub> = 4.5 V and 5.5 V		10, 11	1	20	
	t <sub>PHL2</sub>	V <sub>CC</sub> = 5.0 V	9	1	15		
		V <sub>CC</sub> = 4.5 V and 5.5 V	10, 11	1	18		
Propagation delay time, D to any Q	t <sub>PLH3</sub>	V <sub>CC</sub> = 5.0 V	C <sub>L</sub> = 50 pF See figure 3	9	1	8	ns
		V <sub>CC</sub> = 4.5 V and 5.5 V		10, 11	1	12	
	t <sub>PHL3</sub>	V <sub>CC</sub> = 5.0 V	9	1	8		
		V <sub>CC</sub> = 4.5 V and 5.5 V	10, 11	1	12		
	t <sub>PLH4</sub>	V <sub>CC</sub> = 5.0 V	C <sub>L</sub> = 300 pF See figure 3	9	1	17	ns
		V <sub>CC</sub> = 4.5 V and 5.5 V		10, 11	1	20	
	t <sub>PHL4</sub>	V <sub>CC</sub> = 5.0 V	9	1	15		
		V <sub>CC</sub> = 4.5 V and 5.5 V	10, 11	1	20		
Enable time, OC to any Q	t <sub>PZH1</sub>	V <sub>CC</sub> = 5.0 V	C <sub>L</sub> = 50 pF See figure 3	9	1	12	ns
		V <sub>CC</sub> = 4.5 V and 5.5 V		10, 11	1	14	
	t <sub>PZL1</sub>	V <sub>CC</sub> = 5.0 V	9	1	12		
		V <sub>CC</sub> = 4.5 V and 5.5 V	10, 11	1	14		

See footnotes at end of table.

STANDARDIZED MILITARY DRAWING DEFENSE ELECTRONICS SUPPLY CENTER DAYTON, OHIO 45444	SIZE A		5962-90710
		REVISION LEVEL	SHEET 7

TABLE I. Electrical performance characteristics - Continued.

Test	Symbol	Conditions -55°C ≤ T <sub>C</sub> ≤ +125°C unless otherwise specified see figure 3		Group A subgroups	Limits		Unit
					Min	Max	
Enable time, OC to any Q	t <sub>PZH2</sub>	V <sub>CC</sub> = 5.0 V	C <sub>L</sub> = 300 pF See figure 3	9	1	17	ns
		V <sub>CC</sub> = 4.5 V and 5.5 V		10, 11	1	20	
	t <sub>PZL2</sub>	V <sub>CC</sub> = 5.0 V	9	1	21		
		V <sub>CC</sub> = 4.5 V and 5.5 V	10, 11	1	23		
Disable time, OC to any Q	t <sub>PHZ1</sub>	V <sub>CC</sub> = 5.0 V	C <sub>L</sub> = 50 pF See figure 3	9	1	14	ns
		V <sub>CC</sub> = 4.5 V and 5.5 V		10, 11	1	15	
	t <sub>PLZ1</sub>	V <sub>CC</sub> = 5.0 V	9	1	11		
		V <sub>CC</sub> = 4.5 V and 5.5 V	10, 11	1	12		
	t <sub>PHZ2</sub>	V <sub>CC</sub> = 5.0 V	C <sub>L</sub> = 5 pF See figure 3	9	1	8	ns
		V <sub>CC</sub> = 4.5 V and 5.5 V		10, 11	1	9	
	t <sub>PLZ2</sub>	V <sub>CC</sub> = 5.0 V	9	1	8		
		V <sub>CC</sub> = 4.5 V and 5.5 V	10, 11	1	9		
Setup time, data before enable C ↓	t <sub>SU</sub>	V <sub>CC</sub> = 5.0 V	See figure 3	9	2.5		ns
		V <sub>CC</sub> = 4.5 V and 5.5 V		10, 11	2.5		
Hold time, data after enable C ↓	t <sub>H</sub>	V <sub>CC</sub> = 5.0 V		9	8		
		V <sub>CC</sub> = 4.5 and 5.5 V		10, 11	8		

See footnotes at end of table.

STANDARDIZED MILITARY DRAWING DEFENSE ELECTRONICS SUPPLY CENTER DAYTON, OHIO 45444	SIZE A		5962-90710
		REVISION LEVEL	SHEET 8



TABLE I. Electrical performance characteristics - Continued.

Test	Symbol	Conditions -55°C ≤ T <sub>C</sub> ≤ +125°C unless otherwise specified see figure 3		Group A subgroups	Limits		Unit
					Min	Max	
Pulse duration, enable C high	t <sub>w</sub>	V <sub>CC</sub> = 5.0 V	See figure 3	9	4		ns
		V <sub>CC</sub> = 4.5 and 5.5 V		10,11	6		

1/ Not more than one output should be shorted at one time and the duration of the short should not exceed 1 second.

TABLE IIA. Electrical test requirements.

Test requirements	Subgroups (per method 5005, table I)			Subgroups (per MIL-I-38535, table III)	
	Device class M	Device class B	Device class S	Device class Q	Device class V
Interim electrical parameters (see 4.2)			1,7		1,7
Final electrical parameters (see 4.2)	1/1,2,3,7, 8,9,10,11	2/1,2,3,7, 8,9,10,11	2/1,2,3,7, 8,9,10,11	1/1,2,3,7, 8,9,10,11	1/1,2,3,7, 8,9,10,11
Group A test requirements (see 4.4)	1,2,3,7,8, 9,10,11	1,2,3,7,8, 9,10,11	1,2,3,7,8, 9,10,11	1,2,3,7,8, 9,10,11	1,2,3,7, 8,9,10,11
Group B end-point electrical parameters (see 4.4)			1,2,3,7,8 9,10,11		1,2,3,7,8 9,10,11
Group C end-point electrical parameters (see 4.4)	1,2,3	1,2,3		1,2,3	
Group D end-point electrical parameters (see 4.4)	1,2,3	1,2,3	1,2,3	1,2,3	1,2,3
Group E end-point electrical parameters (see 4.4)	1,7,9	1,7,9	1,7,9	1,7,9	1,7,9

1/ PDA applies to subgroup 1.

2/ PDA applies to subgroups 1 and 7.

STANDARDIZED MILITARY DRAWING DEFENSE ELECTRONICS SUPPLY CENTER DAYTON, OHIO 45444	SIZE A		5962-90710
		REVISION LEVEL	SHEET 9

4.2.2 Additional criteria for device classes Q and V.

- a. The burn-in test duration, test condition and test temperature or approved alternatives shall be as specified in the device manufacturer's QM plan in accordance with MIL-I-38535. The burn-in test circuit shall be submitted to DESC-ECC with the certificate of compliance and shall be under the control of the device manufacturer's Technology Review Board (TRB) in accordance with MIL-I-38535.
- b. Interim and final electrical test parameters shall be as specified in table IIA herein.
- c. Additional screening for device class V beyond the requirements of device class Q shall be as specified in appendix B of MIL-I-38535 and as detailed in table IIB herein.

4.3 Qualification inspection.

4.3.1 Qualification inspection for device classes B and S. Qualification inspection for device classes B and S shall be in accordance with MIL-M-38510. Inspections to be performed shall be those specified in method 5005 of MIL-STD-883 and herein for groups A, B, C, D, and E inspections (see 4.4.1 through 4.4.5).

4.3.2 Qualification inspection for device classes Q and V. Qualification inspection for device classes Q and V shall be in accordance with MIL-I-38535. Inspections to be performed shall be those specified in MIL-I-38535 and herein for groups A, B, C, D, and E inspections (see 4.4.1 through 4.4.5).

4.4 Conformance inspection. Quality conformance inspection for device class M shall be in accordance with MIL-STD-883 (see 3.1 herein) and as specified herein. Quality conformance inspection for device classes B and S shall be in accordance with MIL-M-38510 and as specified herein. Inspections to be performed for device classes M, B, and S shall be those specified in method 5005 of MIL-STD-883 and herein for groups A, B, C, D, and E inspections (see 4.4.1 through 4.4.5). Technology conformance inspection for classes Q and V shall be in accordance with MIL-I-38535 including groups A, B, C, D, and E inspections and as specified herein except where option 2 of MIL-I-38535 permits alternate in-line control testing.

4.4.1 Group A inspection.

- a. Tests shall be as specified in table IIA herein.
- b. For device class M, subgroups 7 and 8 tests shall be sufficient to verify the truth table. For device classes B and S, subgroups 7 and 8 tests shall be sufficient to verify the truth table as approved by the qualifying activity. For device classes Q and V, subgroups 7 and 8 shall include verifying the functionality of the device; these tests shall have been fault graded in accordance with MIL-STD-883, test method 5012 (see 1.5 herein).

4.4.2 Group B inspection. The group B inspection end-point electrical parameters shall be as specified in table IIA herein.

4.4.3 Group C inspection. The group C inspection end-point electrical parameters shall be as specified in table IIA herein.

<b>STANDARDIZED MILITARY DRAWING DEFENSE ELECTRONICS SUPPLY CENTER DAYTON, OHIO 45444</b>	<b>SIZE A</b>		<b>5962-90710</b>
		<b>REVISION LEVEL</b>	<b>SHEET 10</b>

Device type	01	
Case outlines	K and L	3
Terminal numbers	Terminal symbol	
1	0C	NC
2	1D	0C
3	2D	1D
4	3D	2D
5	4D	3D
6	5D	4D
7	6D	5D
8	7D	NC
9	8D	6D
10	9D	7D
11	10D	8D
12	GND	9D
13	c	10D
14	10Q	GND
15	9Q	NC
16	8Q	c
17	7Q	10Q
18	6Q	9Q
19	5Q	8Q
20	4Q	7Q
21	3Q	6Q
22	2Q	NC
23	1Q	5Q
24	V <sub>CC</sub>	4Q
25	---	3Q
26	---	2Q
27	---	1Q
28	---	V <sub>CC</sub>

NC = No connection

FIGURE 1. Terminal connections.

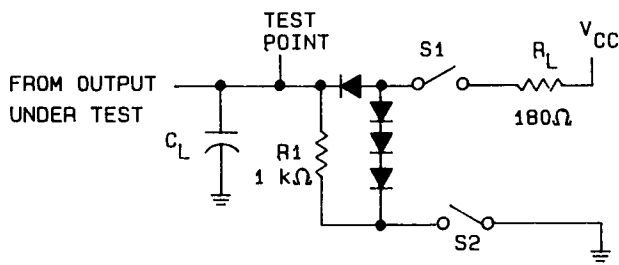
<b>STANDARDIZED MILITARY DRAWING DEFENSE ELECTRONICS SUPPLY CENTER DAYTON, OHIO 45444</b>	<b>SIZE A</b>		<b>5962-90710</b>
		<b>REVISION LEVEL</b>	<b>SHEET 11</b>

Inputs			Output
$\overline{OC}$	C	$\overline{D}$	Q
L	H	H	L
L	H	L	H
L	L	X	$Q_0$
H	X	X	Z

H = High voltage level.  
 L = Low voltage level.  
 X = Irrelevant.  
 Z = High impedance.  
 $Q_0$  = Level of Q before the indicated steady-state input conditions were established.

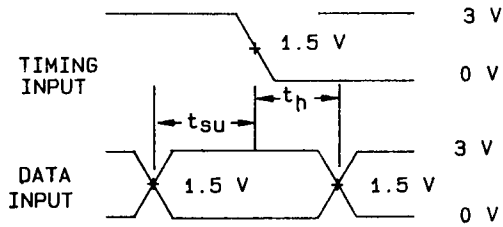
FIGURE 2. Truth table.

STANDARDIZED MILITARY DRAWING DEFENSE ELECTRONICS SUPPLY CENTER DAYTON, OHIO 45444	SIZE <b>A</b>		5962-90710
		REVISION LEVEL	SHEET 12

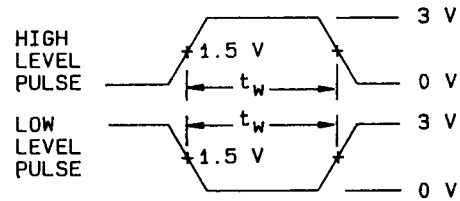


Test	S1	S2
$t_{PLH}$	Closed	Closed
$t_{PHL}$	Closed	Closed
$t_{PZH}$	Open	Closed
$t_{PZL}$	Closed	Open
$t_{PHZ}$	Closed	Closed
$t_{PLZ}$	Closed	Closed

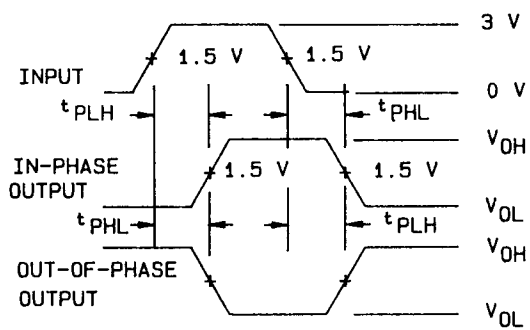
TEST CIRCUIT



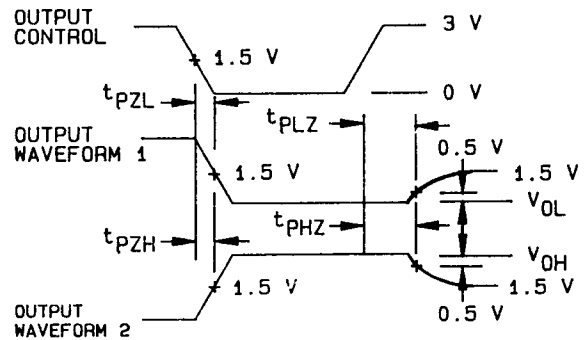
A. SETUP AND HOLD TIMES



B. PULSE WIDTHS



C. PROPAGATION DELAY TIMES



D. THREE-STATE OUTPUT ENABLE TIMES

NOTES:

- $C_L$  includes probe and jig capacitance.
- Input pulses are supplied by generators having the following characteristics:  
 $PRR \leq 10$  MHz,  $Z_o$  (output impedance) =  $50\Omega$ ,  $t_r = t_f = 2.5$  ns.
- All diodes in test circuit are equivalent to 1N3064.

FIGURE 3. Test circuit and switching waveforms.

STANDARDIZED  
MILITARY DRAWING  
DEFENSE ELECTRONICS SUPPLY CENTER  
DAYTON, OHIO 45444

SIZE  
A

5962-90710

REVISION LEVEL

SHEET

13

4.4.3.1 Additional criteria for device classes M, B, and S. Steady-state life test conditions, method 1005 of MIL-STD-883:

- a. Test condition A, B, C, or D. For device class M, the test circuit shall be submitted to DESC-ECC for review with the certificate of compliance. For device classes B and S, the test circuit shall be submitted to the qualifying activity.
- b.  $T_A = +125^\circ\text{C}$ , minimum.
- c. Test duration: 1,000 hours, except as permitted by method 1005 of MIL-STD-883.

4.4.3.2 Additional criteria for device classes Q and V. The steady-state life test duration, test condition and test temperature or approved alternatives shall be as specified in the device manufacturer's QM plan in accordance with MIL-I-38535. The steady-state life test circuit shall be submitted to DESC-ECC with the certificate of compliance and shall be under the control of the device manufacturer's TRB in accordance with MIL-I-38535.

4.4.4 Group D inspection. For group D inspection end-point electrical parameters shall be as specified in table IIA herein.

4.4.5 Group E inspection. Group E inspection is required only for parts intended to be marked as radiation hardness assured (see 3.5 herein). RHA levels for device classes B and S shall be M, D, R, and H and for device class M shall be M and D. RHA quality conformance inspection sample tests shall be performed at the RHA level specified in the acquisition document.

- a. RHA tests for device classes B and S for levels M, D, R, and H or for device class M for levels M and D shall be performed through each level to determine at what levels the devices meet the RHA requirements. These RHA tests shall be performed for initial qualification and after design or process changes which may affect the RHA performance of the device.
- b. End-point electrical parameters shall be as specified in table IIA herein.
- c. Prior to total dose irradiation, each selected sample shall be assembled in its qualified package. It shall pass the specified group A electrical parameters in table I for subgroups specified in table IIA herein.
- d. For device classes M, B, and S, the devices shall be subjected to radiation hardness assured tests as specified in MIL-M-38510 for RHA level being tested, and meet the postirradiation end-point electrical parameter limits as defined in table I at  $T_A = +25^\circ\text{C} \pm 5$  percent, after exposure.
- e. Prior to and during total dose irradiation testing, the devices shall be biased to establish a worst case condition as specified in the radiation exposure circuit.
- f. For device classes M, B, and S, subgroups 1 and 2 in table V, method 5005 of MIL-STD-883 shall be tested as appropriate for device construction.
- g. When specified in the purchase order or contract, a copy of the RHA delta limits shall be supplied.

<b>STANDARDIZED MILITARY DRAWING DEFENSE ELECTRONICS SUPPLY CENTER DAYTON, OHIO 45444</b>	<b>SIZE A</b>		<b>5962-90710</b>
		<b>REVISION LEVEL</b>	<b>SHEET 14</b>

TABLE IIB. Additional screening.

Test	MIL-STD-883, test method	Lot requirement
Particle impact noise detection	2020	100%
Internal visual	2010, condition A or approved alternate	100%
Nondestructive bond pull	2023 or approved alternate	100%
Reverse bias burn-in	1015	100%
Burn-in	1015, total of 240 hours at +125°C	100%
Radiographic	2012	100%

5. PACKAGING

5.1 Packaging requirements. The requirements for packaging shall be in accordance with MIL-M-38510 for device classes M, B, and S and MIL-I-38535 for device classes Q and V.

6. NOTES

6.1 Intended use. Microcircuits conforming to this drawing are intended for use for Government microcircuit applications (original equipment), design applications, and logistics purposes.

6.1.1 Replaceability. Microcircuits covered by this drawing will replace the same generic device covered by a contractor-prepared specification or drawing.

6.1.2 Substitutability. Device classes B and Q devices will replace device class M devices.

6.2 Configuration control of SMD's. All proposed changes to existing SMD's will be coordinated with the users of record for the individual documents. This coordination will be accomplished in accordance with MIL-STD-481 using DD Form 1693, Engineering Change Proposal (Short Form).

6.3 Record of users. Military and industrial users shall inform Defense Electronics Supply Center when a system application requires configuration control and which SMD's are applicable to that system. DESC will maintain a record of users and this list will be used for coordination and distribution of changes to the drawings. Users of drawings covering microelectronics devices (FSC 5962) should contact DESC-ECC, telephone (513) 296-6022.

6.4 Comments. Comments on this drawing should be directed to DESC-ECC, Dayton, Ohio 45444, or telephone (513) 296-8525.

6.5 Symbols, definitions, and functional descriptions. Not applicable.

STANDARDIZED MILITARY DRAWING DEFENSE ELECTRONICS SUPPLY CENTER DAYTON, OHIO 45444	SIZE A		5962-90710
		REVISION LEVEL	SHEET 15

6.6 One part - one part number system. The one part - one part number system described below has been developed to allow for transitions between identical generic devices covered by the four major microcircuit requirements documents (MIL-M-38510, MIL-H-38534, MIL-I-38535, and 1.2.1 of MIL-STD-883) without the necessity for the generation of unique PIN's. The four military requirements documents represent different class levels, and previously when a device manufacturer upgraded military product from one class level to another, the benefits of the upgraded product were unavailable to the Original Equipment Manufacturer (OEM), that was contractually locked into the original unique PIN. By establishing a one part number system covering all four documents, the OEM can acquire to the highest class level available for a given generic device to meet system needs without modifying the original contract parts selection criteria.

<u>Military documentation format</u>	<u>Example PIN under new system</u>	<u>Manufacturing source listing</u>	<u>Document listing</u>
New MIL-M-38510 Military Detail Specifications (in the SMD format)	5962-XXXXXZZ(B or S)YY	QPL-38510 (Part 1 or 2)	MIL-BUL-103
New MIL-H-38534 Standardized Military Drawings	5962-XXXXXZZ(H or K)YY	QML-38534	MIL-BUL-103
New MIL-I-38535 Standardized Military Drawings	5962-XXXXXZZ(Q or V)YY	QML-38535	MIL-BUL-103
New 1.2.1 of MIL-STD-883 Standardized Military Drawings	5962-XXXXXZZ(M)YY	MIL-BUL-103	MIL-BUL-103

6.7 Sources of supply.

6.7.1 Sources of supply for device classes B and S. Sources of supply for device classes B and S are listed in QPL-38510.

6.7.2 Sources of supply for device classes Q and V. Sources of supply for device classes Q and V are listed in QML-38535. The vendors listed in QML-38535 have submitted a certificate of compliance (see 3.6 herein) to DESC-ECC and have agreed to this drawing.

6.7.3 Approved sources of supply for device class M. Approved sources of supply for class M are listed in MIL-BUL-103. The vendors listed in MIL-BUL-103 have agreed to this drawing and a certificate of compliance (see 3.6 herein) has been submitted to and accepted by DESC-ECC.

<b>STANDARDIZED MILITARY DRAWING DEFENSE ELECTRONICS SUPPLY CENTER DAYTON, OHIO 45444</b>	<b>SIZE A</b>		<b>5962-90710</b>
		<b>REVISION LEVEL</b>	<b>SHEET 16</b>