

PLEASE CHECK WWW.MOLEX.COM FOR LATEST PART INFORMATION

Part Number: [0500978000](#)
Status: **Active**
Description: 2.50mm (.098") Pitch Board-In Crimp Terminal, Male, 50097 Series, 20-24 AWG, Reel, for 51035 Housing

Documents:

| | |
|--|--|
| Drawing (PDF) | Product Specification PS-51035-002 (PDF) |
| Product Specification PS-51035-001 (PDF) | RoHS Certificate of Compliance (PDF) |

General

| | |
|-------------------------|-----------------------|
| Product Family | Crimp Terminals |
| Series | 50097 |
| Crimp Quality Equipment | Yes |
| Product Name | Board-In |

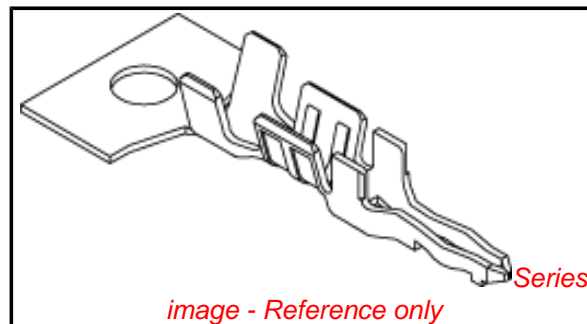
Physical

| | |
|--------------------------------|--------------------------|
| Gender | Male |
| Material - Metal | Phosphor Bronze |
| Material - Plating Mating | Tin |
| Material - Plating Termination | Tin |
| Packaging Type | Reel |
| Termination Interface: Style | Crimp or Compression |
| Wire Insulation Diameter | 1.30-2.10mm (.051-.083") |
| Wire Size AWG | 20, 22, 24 |
| Wire Size mm ² | N/A |

Material Info

Reference - Drawing Numbers

| | |
|-----------------------|---|
| Product Specification | PS-51035-001, PS-51035-002, RPS-51035-001 |
| Sales Drawing | SD-50097-8*00 |



EU RoHS

ELV and RoHS Compliant
REACH SVHC
Contains SVHC: No
Halogen-Free Status
Halogen-Free

China RoHS



Need more information on product environmental compliance?

Email productcompliance@molex.com
 For a multiple part number RoHS Certificate of Compliance, [click here](#)

Please visit the [Contact Us](#) section for any non-product compliance questions.

Search Parts in this Series

[50097Series](#)

Use With

[51035](#)

Application Tooling | FAQ

Tooling specifications and manuals are found by selecting the products below. Crimp Height Specifications are then contained in the Application Tooling Specification document.

Global

| Description | Product # |
|------------------------|----------------------------|
| T2 Terminator Die | 0638512000 |
| FineAdjust™ Applicator | 0638612000 |

Japan

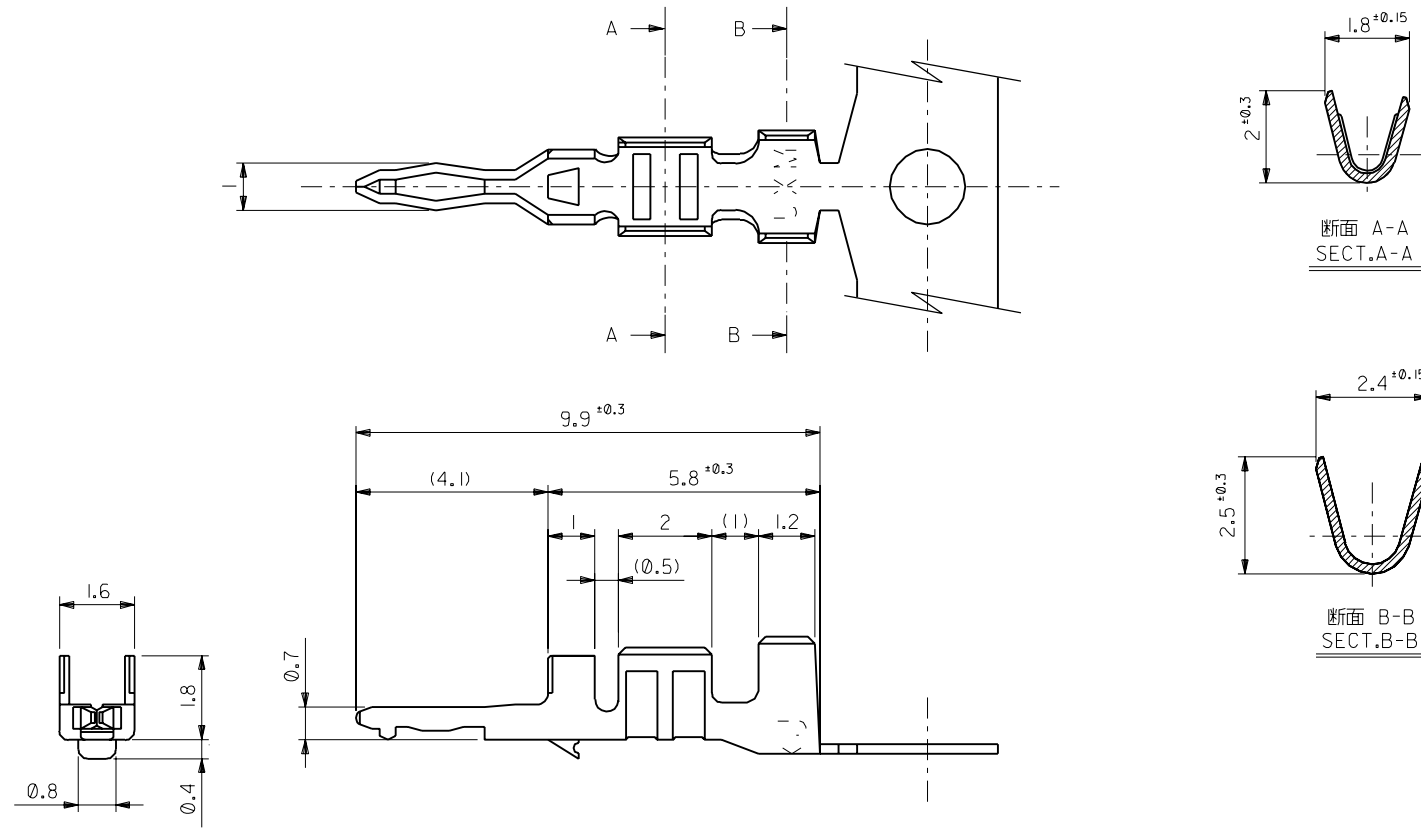
| Description | Product # |
|---|----------------------------|
| Applicator for M211A Bench Press, 20-24 AWG, for 50097 Crimp Terminal | 0571073000 |

This document was generated on 04/15/2010

PLEASE CHECK WWW.MOLEX.COM FOR LATEST PART INFORMATION

DWG. NO.
SD-50097-8*00

DIMENSIONS IN METRIC DO NOT SCALE DRAWING



注記
NOTE

- 適合ハウジング: 51035-**00
APPLICABLE HOUSING: 51035-**00

| | |
|------------|-----|
| 50097-8100 | バラ状 |
| 50097-8000 | 連鎖状 |
| ENG.NO. | 形状 |

| | |
|----------------------|---|
| 材料 MATERIAL | リン青銅 (錫メッキ) PHOSPHOR BRONZE (TIN PLATED) |
| PRE-TINNED PLATE | t:0.203 |
| 仕上げ FINISH | // |
| 適用電線範囲 WIRE RANGE | AWG #24~20 KV 0.2~0.5 AVS 0.3~0.5 |
| 被覆外径 INS. RANGE | $\phi 1.3 \sim 2.1$ |
| DRAWN BY | %/06/28 K.KITA |
| CHK'D BY | %/06/28 M.SAKANO |
| APP'D BY | %/06/28 M.ENOMOTO |
| 尺度 SCALE | 10:1 |

| | |
|---|----------|
| MOLEX-JAPAN CO.,LTD. 日本モレックス株式会社 | |
| REVISE ONLY ON CAD SYSTEM | |
| TITLE 名称 BOARD IN CONNECTOR CRIMP PIN | |
| DWG. NO. SD-50097-8*00 | REV C |

| | |
|----------------------------|---------------|
| 角度 ANGLE | $\pm 3^\circ$ |
| 30以上 OVER | ± 0.3 |
| 10以上 30未満 UNDER | ± 0.25 |
| 10未満 UNDER | ± 0.2 |
| 一般公差 GENERAL TOLERANCES | |

| | | | |
|-----------|-------------------------|-------------|------------|
| 記号 LTR | 変更内容 REVISION RECORD | DR. CHK. | 日付 DATE |
| C | REDRAWN | K.K M.S | %/06/28 |