

PLEASE CHECK WWW.MOLEX.COM FOR LATEST PART INFORMATION

Part Number: [0496171011](#)
Status: **Active**
Overview: [microfit_30](#)
Description: 3.00mm (.118") Pitch Micro-Fit 3.0™ Receptacle Housing, Dual Row, DoubleLock, 10 Circuits

Documents:

[3D Model](#) [Product Specification PS-49617-001 \(PDF\)](#)
[Drawing \(PDF\)](#) [RoHS Certificate of Compliance \(PDF\)](#)

General

Product Family Crimp Housings
 Series [49617](#)
 Overview [microfit_30](#)
 Product Name Micro-Fit 3.0™

Physical

Circuits (maximum) 10
 Color - Resin Black
 Gender Female
 Glow-Wire Compliant No
 Lock to Mating Part Yes
 Material - Resin Polyester
 Number of Rows 2
 Packaging Type Bag
 Panel Mount No
 Pitch - Mating Interface (in) 0.118 In
 Pitch - Mating Interface (mm) 3.00 mm
 Polarized to Mating Part Yes
 Stackable No
 Temperature Range - Operating -40°C to +85°C

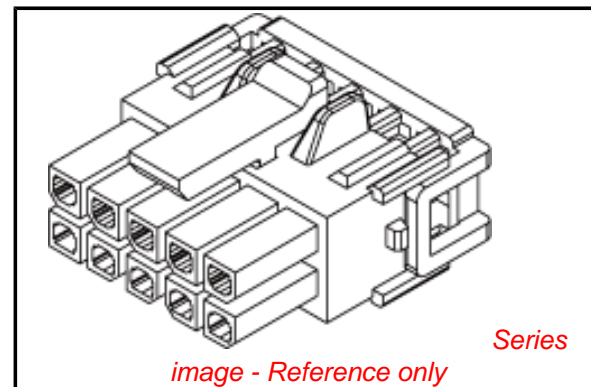
Electrical

Current - Maximum per Contact 5A

Material Info

Reference - Drawing Numbers

Packaging Specification PK-49617-001
 Product Specification PS-49617-001
 Sales Drawing SD-49617-001



EU RoHS

ELV and RoHS Compliant
REACH SVHC
 Not Reviewed
Halogen-Free Status
 Not Reviewed

China RoHS



Need more information on product environmental compliance?

Email productcompliance@molex.com
 For a multiple part number RoHS Certificate of Compliance, [click here](#)

Please visit the [Contact Us](#) section for any non-product compliance questions.

Search Parts in this Series

[49617Series](#)

Mates With

Micro-Fit 3.0™ Plug Housing [43020](#). Micro-Fit 3.0™ Header [43045](#)

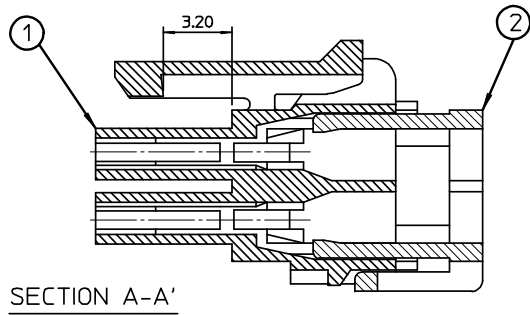
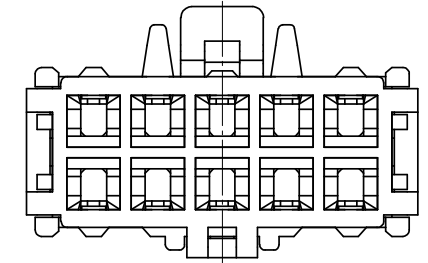
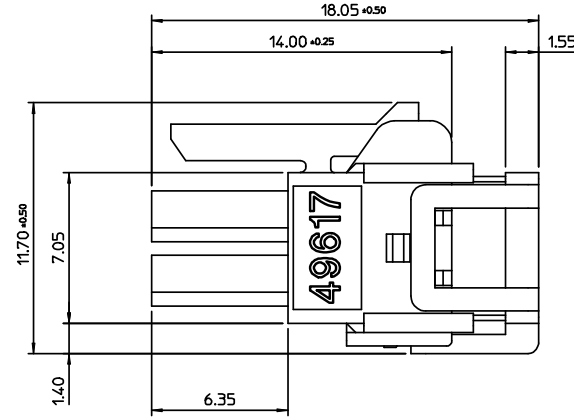
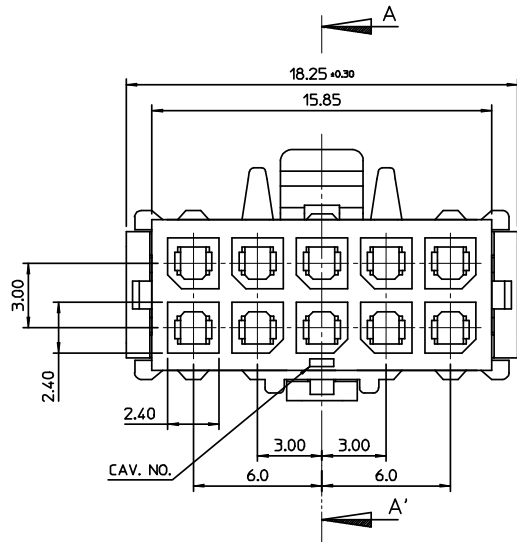
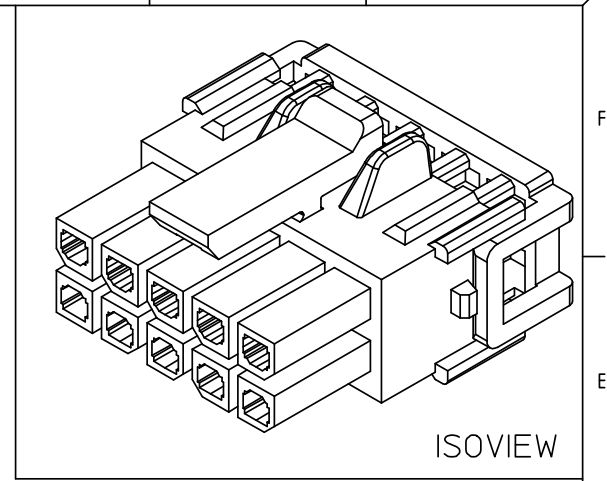
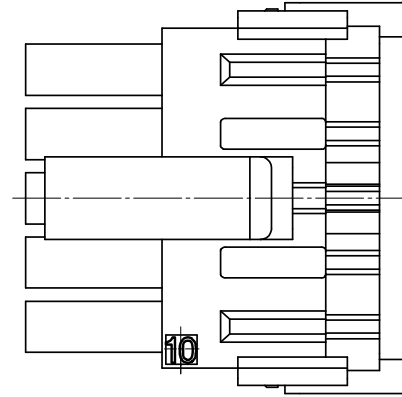
Use With

Micro-Fit 3.0™ Crimp Terminal [43030](#)

<NOTE>

1. MATERIAL : SEE TABLE
2. MATES WITH 43020 AND 43045
3. APPLICABLE TERMINAL : 43030

NO.	PART NO.	PART NAME	MATERIAL	COLOR
1	49617-1091	FEMALE HOUSING	POLYESTER	BLACK
2	49618-1080	FEMALE TPA	POLYESTER	NATURAL



MATERIAL NO.		ENG. NO.		QUALITY SYMBOLS		GENERAL TOLERANCES (UNLESS SPECIFIED)		DIMENSION STYLE		SCALE		DESIGN UNITS		THIRD ANGLE PROJECTION	
496171011		49617-1011		$\nabla=0$ $\sphericalangle=0$		mm INCH 4 PLACES ± --- ± --- 3 PLACES ± --- ± --- 2 PLACES ± 0.20 ± --- 1 PLACE ± 0.30 ± --- ANGULAR ± 1 °		MM ONLY		4:1		METRIC			
NEW RELEASED EC NO: KOR2008-0199 DRW:NEOKIM 2008/06/03 CHKD:BCYOON 2008/06/03 APPR:YUNSI.KK.IM 2008/06/04		DESCRIPTION		DRAWN BY		DATE		TITLE		MATERIAL NO.		DOCUMENT NO.		SHEET NO.	
A		REV		SMK IM		2007/08/14		MICRO-FIT 3.0 W-T-B DOUBLE LOCK ASS'Y 10P		496171011		SD-49617-001		1 OF 1	
A		REV		EHJUNG		2007/08/14		MOLEX INCORPORATED		THIS DRAWING CONTAINS INFORMATION THAT IS PROPRIETARY TO MOLEX INCORPORATED AND SHOULD NOT BE USED WITHOUT WRITTEN PERMISSION					