

REVISIONS

LTR	DESCRIPTION	DATE (YR-MO-DA)	APPROVED
D	Inactivate case outline 01AX for new design. Add vendor CAGE 27014 to case outline 01DX. Editorial changes throughout.	88 APR. 7	<i>[Signature]</i>

Device type 01, case outline 2 inactive for new design as of 11 Sept 87

Device type 01, case outline C inactive for new design as of 27 May 86

CURRENT CAGE CODE 67268

REV																							
SHEET																							
REV																							
SHEET																							
REV STATUS OF SHEETS	REV	D	D	D	C	C	C	C	D	C	D												
	SHEET	1	2	3	4	5	6	7	8	9	10												

PMIC N/A	PREPARED BY <i>[Signature: James E. Nicklaus]</i>	DEFENSE ELECTRONICS SUPPLY CENTER DAYTON, OHIO 45444	
STANDARDIZED MILITARY DRAWING	CHECKED BY <i>[Signature: Charles Reusing]</i>		
	APPROVED BY <i>[Signature]</i>	SIZE	CAGE CODE
	DRAWING APPROVAL DATE 14 MAY 1984	A	14933
	REVISION LEVEL D	SHEET 1	OF 10
<small>THIS DRAWING IS AVAILABLE FOR USE BY ALL DEPARTMENTS AND AGENCIES OF THE DEPARTMENT OF DEFENSE</small>		84040	

DESC FORM 193-1
SEP 87

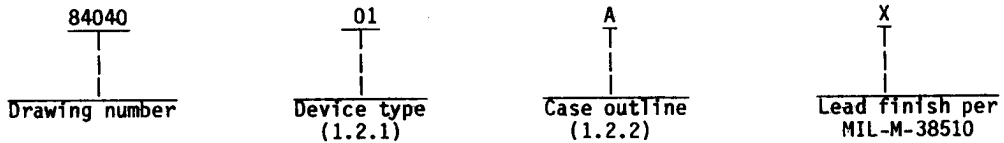
U.S. GOVERNMENT PRINTING OFFICE: 1987 - 748-129/60912
5962-E775

DISTRIBUTION STATEMENT A. Approved for public release; distribution is unlimited.

1. SCOPE

1.1 Scope. This drawing describes device requirements for class B microcircuits in accordance with 1.2.1 of MIL-STD-883, "Provisions for the use of MIL-STD-883 in conjunction with compliant non-JAN devices".

1.2 Part number. The complete part number shall be as shown in the following example:



1.2.1 Device type. The device type shall identify the circuit function as follows:

<u>Device type</u>	<u>Generic number</u>	<u>Circuit</u>
01	54HC30	8-input NAND gate

1.2.2 Case outlines. The case outlines shall be as designated in appendix C of MIL-M-38510, and as follows:

<u>Outline letter</u>	<u>Case outline</u>
A	F-1 (14-lead, .280" x .260" x .085" maximum), flat package
B	F-3 (14-lead, .280" x .200" x .070" maximum), flat package
C	D-1 (14-lead, .785" x .310" x .200"), dual-in-line package
D	F-2 (14-lead, .390" x .260" x .285" maximum), flat package
2	C-2 (20-terminal, .358" x .358" x .100"), square chip carrier package

1.3 Absolute maximum ratings. 1/

Supply voltage range - - - - -	-0.5 V dc to +7.0 V dc
DC input voltage - - - - -	-0.5 V dc to $V_{CC} + 0.5$ V dc
DC output voltage- - - - -	-0.5 V dc to $V_{CC} + 0.5$ V dc
Clamp diode current- - - - -	±20 mA
DC output current (per pin)- - - - -	±25 mA
DC V_{CC} or GND current (per pin)- - - - -	±50 mA
Storage temperature range- - - - -	-65°C to +150°C
Maximum power dissipation (P_D) - - - - -	500 mW 2/
Lead temperature (soldering, 10 seconds) - - - - -	+260°C
Thermal resistance, junction-to-case (θ_{JC}): Cases A, B, C, D, and 2- - - - -	See MIL-M-38510, appendix C
Junction temperature (T_J)- - - - -	+175°C

1.4 Recommended operating conditions.

Supply voltage (V_{CC})- - - - -	+2.0 V dc minimum to +6.0 V dc maximum
Case operating temperature range (T_C) - - - - -	-55°C to +125°C
Input rise or fall time:	
$V_{CC} = 2.0$ V- - - - -	0 to 1,000 ns
$V_{CC} = 4.5$ V- - - - -	0 to 500 ns
$V_{CC} = 6.0$ V- - - - -	0 to 400 ns

1/ Unless otherwise specified, all voltages are referenced to ground.

2/ For $T_C = +100^\circ\text{C}$ to $+125^\circ\text{C}$, derate linearly at 12 mW/°C.

STANDARDIZED MILITARY DRAWING DEFENSE ELECTRONICS SUPPLY CENTER DAYTON, OHIO 45444	SIZE A		84040
		REVISION LEVEL D	SHEET 2

2. APPLICABLE DOCUMENTS

2.1 Government specification and standard. Unless otherwise specified, the following specification and standard, of the issue listed in that issue of the Department of Defense Index of Specifications and Standards specified in the solicitation, form a part of this drawing to the extent specified herein.

SPECIFICATION

MILITARY

MIL-M-38510 - Microcircuits, General Specification for.

STANDARD

MILITARY

MIL-STD-883 - Test Methods and Procedures for Microelectronics.

(Copies of the specification and standard required by manufacturers in connection with specific acquisition functions should be obtained from the contracting activity or as directed by the contracting activity.)

2.2 Order of precedence. In the event of a conflict between the text of this drawing and the references cited herein, the text of this drawing shall take precedence.

3. REQUIREMENTS

3.1 Item requirements. The individual item requirements shall be in accordance with 1.2.1 of MIL-STD-883, "Provisions for the use of MIL-STD-883 in conjunction with compliant non-JAN devices" and as specified herein.

3.2 Design, construction, and physical dimensions. The design, construction, and physical dimensions shall be as specified in MIL-M-38510 and herein.

3.2.1 Terminal connections. The terminal connections shall be as specified on figure 1.

3.2.2 Truth table. The truth table shall be as specified on figure 2.

3.2.3 Switching waveforms. The switching waveforms shall be as specified on figure 3.

3.2.4 Case outlines. The case outlines shall be in accordance with 1.2.2 herein.

3.3 Electrical performance characteristics. Unless otherwise specified, the electrical performance characteristics are as specified in table I and apply over the full case operating temperature range.

3.4 Marking. Marking shall be in accordance with MIL-STD-883 (see 3.1 herein). The part shall be marked with the part number listed in 1.2 herein. In addition, the manufacturer's part number may also be marked as listed in 6.4 herein.

3.5 Certificate of compliance. A certificate of compliance shall be required from a manufacturer in order to be listed as an approved source of supply in 6.4. The certificate of compliance submitted to DESC-ECS prior to listing as an approved source of supply shall state that the manufacturer's product meets the requirements of MIL-STD-883 (see 3.1 herein) and the requirements herein.

STANDARDIZED MILITARY DRAWING DEFENSE ELECTRONICS SUPPLY CENTER DAYTON, OHIO 45444	SIZE A		84040
		REVISION LEVEL D	SHEET 3

TABLE I. Electrical performance characteristics.

Test	Symbol	Conditions -55°C < T _C < +125°C, unless otherwise specified 1/	Group A subgroups	Limits		Unit
				Min	Max	
High level output voltage	V _{OH}	V _{IN} = V _{IH} or V _{IL} I _O ≤ 20 μA	1, 2, 3	V _{CC} = 2.0 V	1.9	V
				V _{CC} = 4.5 V	4.4	
				V _{CC} = 6.0 V	5.9	
		V _{IN} = V _{IH} or V _{IL} I _O ≤ 4.0 mA	V _{CC} = 4.5 V	3.7		
			V _{CC} = 6.0 V	5.2		
Low level output voltage	V _{OL}	V _{IN} = V _{IH} or V _{IL} I _O ≤ 20 μA	1, 2, 3	V _{CC} = 2.0 V	0.1	V
				V _{CC} = 4.5 V	0.1	
				V _{CC} = 6.0 V	0.1	
		V _{IN} = V _{IH} or V _{IL} I _O ≤ 4.0 mA	V _{CC} = 4.5 V	0.4		
			V _{CC} = 6.0 V	0.4		
High level input voltage	V _{IH}	2/	1, 2, 3	V _{CC} = 2.0 V	1.5	V
				V _{CC} = 4.5 V	3.15	
				V _{CC} = 6.0 V	4.2	
Low level input voltage	V _{IL}	2/	1, 2, 3	V _{CC} = 2.0 V	0.3	V
				V _{CC} = 4.5 V	0.9	
				V _{CC} = 6.0 V	1.2	
Input capacitance	C _{IN}	V _{IN} = 0 V, T _C = +25°C See 4.3.1c	4		10	pF
Quiescent current	I _{CC}	V _{CC} = 6.0 V, V _{IN} = V _{CC} or GND	1, 2, 3		40	μA
Input leakage current	I _{IN}	V _{CC} = 6.0 V, V _{IN} = V _{CC} or GND	1, 2, 3		±1	μA
Functional tests		See 4.3.1d	7			

See footnotes at end of table.

STANDARDIZED MILITARY DRAWING DEFENSE ELECTRONICS SUPPLY CENTER DAYTON, OHIO 45444	SIZE A	84040
	REVISION LEVEL C	SHEET 4

TABLE I. Electrical performance characteristics - Continued.

Test	Symbol	Conditions -55°C ≤ T _C ≤ +125°C, unless otherwise specified 1/		Group A subgroups	Limits		Unit
					Min	Max	
Propagation delay time, high to low, low to high 3/	t _{PHL} , t _{PLH}	T _C = +25°C	V _{CC} = 2.0 V	9		175	ns
		C _L = 50 pF ±10%	V _{CC} = 4.5 V			35	
		See figure 3	V _{CC} = 6.0 V			30	
		T _C = -55°C, +125°C	V _{CC} = 2.0 V	10, 11		265	ns
		C _L = 50 pF ±10%	V _{CC} = 4.5 V			53	
		See figure 3	V _{CC} = 6.0 V			45	
Transition time, high to low, low to high 4/	t _{THL} , t _{TLH}	T _C = +25°C	V _{CC} = 2.0 V	9		75	ns
		C _L = 50 pF ±10%	V _{CC} = 4.5 V			15	
		See figure 3	V _{CC} = 6.0 V			13	
		T _C = -55°C, +125°C	V _{CC} = 2.0 V	10, 11		110	ns
		C _L = 50 pF ±10%	V _{CC} = 4.5 V			22	
		See figure 3	V _{CC} = 6.0 V			19	

1/ For a power supply of 5 V ±10% the worst case output voltages (V_{OH} and V_{OL}) occur for HC at 4.5 V. Thus, the 4.5 V values should be used when designing with this supply. Worst cases V_{IH} and V_{IL} occur at V_{CC} = 5.5 V and 4.5 V, respectively. (The V_{IH} value at 5.5 V is 3.85 V.) The worst case leakage currents (I_{IH}, I_{CC} and I_{OZ}) occur for CMOS at the higher voltage so the 6.0 V values should be used. Power dissipation capacitance (C_{PD}), typically 34 pF, determines the no load dynamic power consumption, P_D = C_{PD} V_{CC}² f + I_{CC} V_{CC}, and the no load dynamic current consumption, I_S = C_{PD} V_{CC} f + I_{CC}.

2/ Test not required if applied as a forcing function for V_{OH} or V_{OL}.

3/ AC testing at V_{CC} = 2.0 V and V_{CC} = 6.0 V shall be guaranteed, if not tested, to the specified parameters.

4/ Transition times (t_{TLH}, t_{THL}), if not tested, shall be guaranteed to the specified parameters.

STANDARDIZED MILITARY DRAWING DEFENSE ELECTRONICS SUPPLY CENTER DAYTON, OHIO 45444	SIZE A		84040
		REVISION LEVEL C	SHEET 5

Device type 01

Cases A, B, C, and D

Case 2

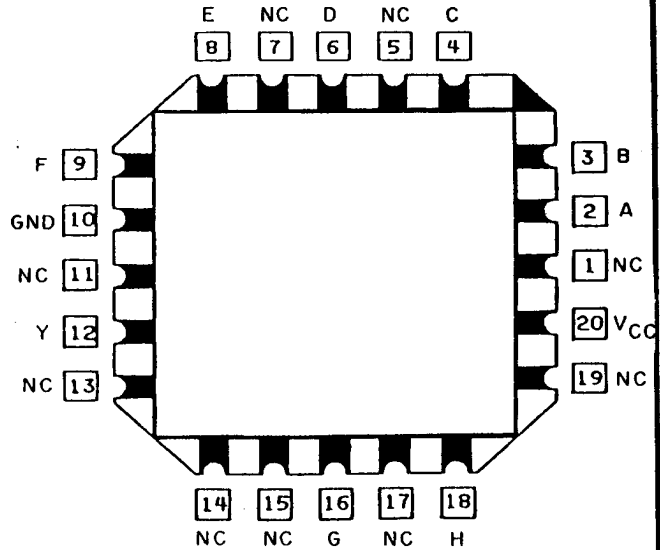
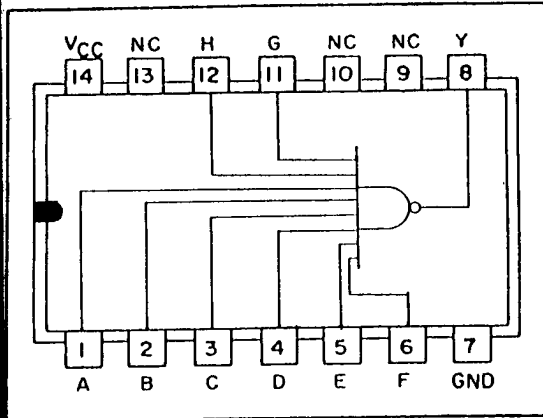


FIGURE 1. Terminal connections (top view).

Device type 01

Truth table								Outputs
Inputs								Y
A	B	C	D	E	F	G	H	L
H	H	H	H	H	H	H	H	L

All other combinations of H and L at the inputs give H output.

Positive logic $Y = \overline{ABCDEFGH}$

FIGURE 2. Truth table.

STANDARDIZED MILITARY DRAWING DEFENSE ELECTRONICS SUPPLY CENTER DAYTON, OHIO 45444	SIZE A		84040
		REVISION LEVEL C	SHEET 6

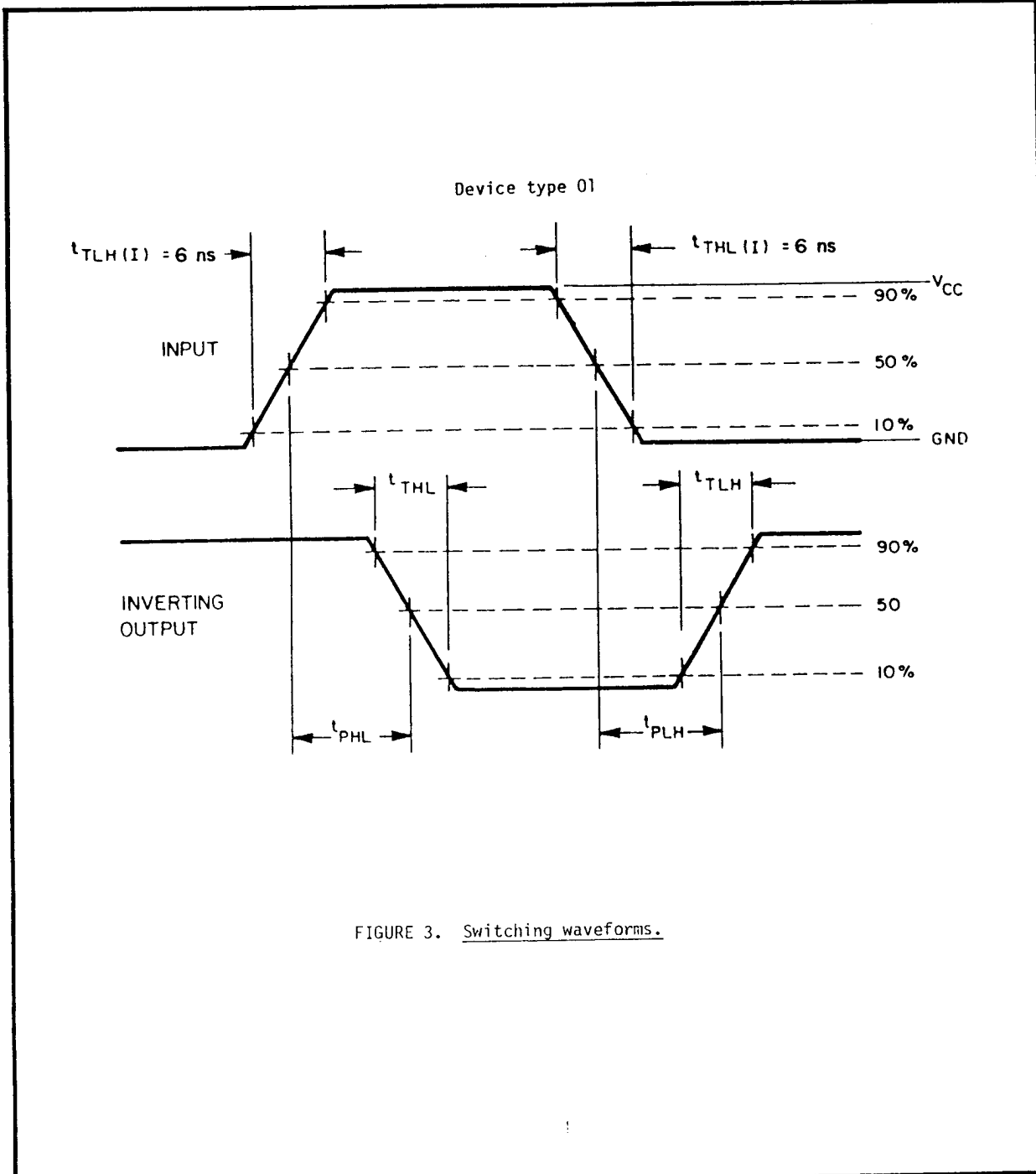


FIGURE 3. Switching waveforms.

STANDARDIZED MILITARY DRAWING DEFENSE ELECTRONICS SUPPLY CENTER DAYTON, OHIO 45444	SIZE A	84040
	REVISION LEVEL C	SHEET 7

3.6 Certificate of conformance. A certificate of conformance as required in MIL-STD-883 (see 3.1 herein) shall be provided with each lot of microcircuits delivered to this drawing.

3.7 Notification of change. Notification of change to DESC-ECS shall be required in accordance with MIL-STD-883 (see 3.1 herein).

3.8 Verification and review. DESC, DESC's agent, and the acquiring activity retain the option to review the manufacturer's facility and applicable required documentation. Offshore documentation shall be made available onshore at the option of the reviewer.

4. QUALITY ASSURANCE PROVISIONS

4.1 Sampling and inspection. Sampling and inspection procedures shall be in accordance with section 4 of MIL-M-38510 to the extent specified in MIL-STD-883 (see 3.1 herein).

4.2 Screening. Screening shall be in accordance with method 5004 of MIL-STD-883, and shall be conducted on all devices prior to quality conformance inspection. The following additional criteria shall apply:

a. Burn-in test, method 1015 of MIL-STD-883.

(1) Test condition A, B, C, or D using the circuit submitted with the certificate of compliance (see 3.5 herein).

(2) $T_A = +125^\circ\text{C}$, minimum.

b. Interim and final electrical test parameters shall be as specified in table II herein, except interim electrical parameter tests prior to burn-in are optional at the discretion of the manufacturer.

4.3 Quality conformance inspection. Quality conformance inspection shall be in accordance with method 5005 of MIL-STD-883 including groups A, B, C, and D inspections. The following additional criteria shall apply.

4.3.1 Group A inspection.

a. Tests shall be as specified in table II herein.

b. Subgroups 5, 6, and 8 in table I, method 5005 of MIL-STD-883 shall be omitted.

c. Subgroup 4 (C_{IN} measurement) shall be measured only for the initial test and after process or design changes which may affect input capacitance.

d. Subgroup 7 tests shall verify the truth table.

4.3.2 Groups C and D inspections.

a. End-point electrical parameters shall be as specified in table II herein.

b. Steady-state life test conditions, method 1005 of MIL-STD-883.

(1) Test condition A, B, C, or D using the circuit submitted with the certificate of compliance (see 3.5 herein).

(2) $T_A = +125^\circ\text{C}$, minimum.

(3) Test duration: 1,000 hours, except as permitted by method 1005 of MIL-STD-883.

STANDARDIZED MILITARY DRAWING DEFENSE ELECTRONICS SUPPLY CENTER DAYTON, OHIO 45444	SIZE A		84040
		REVISION LEVEL D	SHEET 8

TABLE II. Electrical test requirements.

MIL-STD-883 test requirements	Subgroups (per method 5005, table I)
Interim electrical parameters (method 5004)	---
Final electrical test parameters (method 5004)	1* 2, 9
Group A test requirements (method 5005)	1, 2, 3, 4, 7, 9, 10, 11**
Groups C and D end-point electrical parameters (method 5005)	---

* PDA applies to subgroup 1.

** Subgroups 10 and 11, if not tested, shall be guaranteed to the specified limits in table I.

5. PACKAGING

5.1 Packaging requirements. The requirements for packaging shall be in accordance with MIL-M-38510.

6. NOTES

6.1 Intended use. Microcircuits conforming to this drawing are intended for use when military specifications do not exist and qualified military devices that will perform the required function are not available for OEM application. When a military specification exists and the product covered by this drawing has been qualified for listing on QPL-38510, the device specified herein will be inactivated and will not be used for new design. The QPL-38510 product shall be the preferred item for all applications.

6.2 Replaceability. Replaceability is determined as follows:

- a. Microcircuits covered by this drawing will replace the same generic device covered by a contractor-prepared specification or drawing.
- b. When a QPL source is established, the part numbered device specified in this drawing will be replaced by the microcircuit identified as part number M38510/65004B--.

6.3 Comments. Comments on this drawing should be directed to DESC-ECS, Dayton, Ohio 45444, or telephone 513-296-5375.

STANDARDIZED MILITARY DRAWING DEFENSE ELECTRONICS SUPPLY CENTER DAYTON, OHIO 45444	SIZE A	84040
	REVISION LEVEL C	SHEET 9

6.4 Approved sources of supply. Approved sources of supply are listed herein. Additional sources will be added as they become available. The vendors listed herein have agreed to this drawing and a certificate of compliance (see 3.5 herein) has been submitted to DESC-ECS.

Military drawing part number	Vendor CAGE number	Vendor 1/ similar part number	Replacement military specification part number
8404001AX <u>2/</u>		MM54HC30W/883	M38510/650048AX
8404001BX	01295	SNJ54HC30WA	M38510/650048BX
8404001CX <u>3/</u>	01295	SNJ54HC30J	M38510/650048CX
8404001CX <u>3/</u>	18714	CD54HC30F/3A	M38510/650048CX
8404001CX <u>3/</u>	27014 04713	MM54HC30J/883 54HC30/BCAJC	M38510/650048CX
8404001DX	01295 27014	SNJ54HC30W MM54HC30W/883	M38510/650048DX
84040012X <u>4/</u>	01295 04713 27014	SNJ54HC30FK 54HC30M/B2CJC MM54HC30E/883	M38510/6500482X

- 1/ CAUTION. Do not use this number for item acquisition. Items acquired to this number may not satisfy the performance requirements of this drawing.
- 2/ Inactive for new design. Not available by an approved source of supply.
- 3/ Inactive for new design. Use M38510/650048CX
- 4/ Inactive for new design. Use M38510/6500482X.

Vendor CAGE
number

Vendor name
and address

01295

Texas Instruments, Inc.
P.O. Box 6448
Midland, TX 79701

04713

Motorola, Inc.
7402 South Price Road
Tempe, AZ 85283

18714

RCA Solid State Division
Route 202
Somerville, NJ 08876

27014

National Semiconductor
2900 Semiconductor Dr.
Santa Clara, CA 95051

STANDARDIZED MILITARY DRAWING DEFENSE ELECTRONICS SUPPLY CENTER DAYTON, OHIO 45444	SIZE A		84040
		REVISION LEVEL D	SHEET 10

DESC FORM 193A
SEP 87

☆ U.S. GOVERNMENT PRINTING OFFICE: 1987-549-096

012712 _ _ _