

PLEASE CHECK WWW.MOLEX.COM FOR LATEST PART INFORMATION

Part Number: [0532541470](#)
Status: **Active**
Overview: [microlatch](#)
Description: 2.00mm (.079") Pitch Micro-Latch™ Wire-to-Board Header, Right Angle, Square Pin, Three-sided Shroud, Lead-free, 14 Circuits

Documents:

[3D Model](#) [Product Specification PS-51065-016 \(PDF\)](#)
[Drawing \(PDF\)](#) [RoHS Certificate of Compliance \(PDF\)](#)

Agency Certification

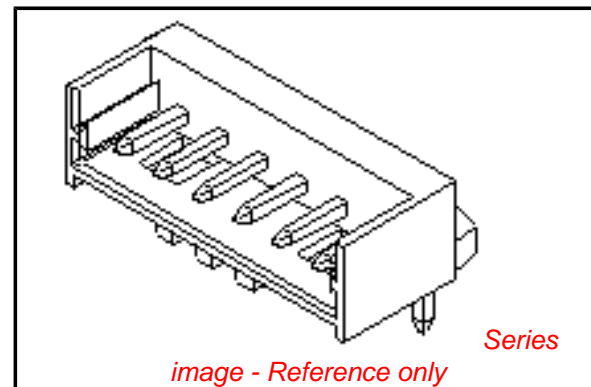
CSA LR19980
 UL E29179

General

Product Family PCB Headers
 Series [53254](#)
 Application Wire-to-Board
 Overview [microlatch](#)
 Product Name Micro-Latch™

Physical

Breakaway No
 Circuits (Loaded) 14
 Durability (mating cycles max) 30
 First Mate / Last Break No
 Flammability 94V-0
 Glow-Wire Compliant No
 Lock to Mating Part Yes
 Material - Metal Brass
 Material - Plating Mating Tin
 Material - Plating Termination Tin
 Material - Resin Nylon
 Number of Rows 1
 Orientation Right Angle
 PC Tail Length (in) 0.138 In
 PC Tail Length (mm) 3.50 mm
 PCB Locator No
 PCB Retention Yes
 PCB Thickness Recommended (in) 0.062 In
 PCB Thickness Recommended (mm) 1.60 mm
 Packaging Type Tray
 Pitch - Mating Interface (in) 0.079 In
 Pitch - Mating Interface (mm) 2.00 mm
 Plating min: Mating (µin) 40
 Plating min: Mating (µm) 1.00
 Plating min: Termination (µin) 40
 Plating min: Termination (µm) 1.00
 Polarized to Mating Part Yes
 Polarized to PCB No
 Shrouded Partial
 Stackable No
 Surface Mount Compatible (SMC) No
 Temperature Range - Operating -40°C to +105°C
 Termination Interface: Style Through Hole



EU RoHS

ELV and RoHS Compliant
REACH SVHC Contains SVHC: No
Halogen-Free Status
Not Reviewed

China RoHS



Need more information on product environmental compliance?

Email productcompliance@molex.com
 For a multiple part number RoHS Certificate of Compliance, [click here](#)

Please visit the [Contact Us](#) section for any non-product compliance questions.

Search Parts in this Series

[53254Series](#)

Mates With

[51065 Crimp Housing](#). [50212 Crimp Terminal](#)

Electrical

Current - Maximum per Contact

2A

Voltage - Maximum

125V

Material Info**Reference - Drawing Numbers**

Packaging Specification

SPK-53254-001

Product Specification

PS-51065-016, RPS-51065-002, RPS-51065-006,
RPS-51065-007, RPS-51065-013, RPS-51065-015,
RPS-51065-021, RPS-51065-022, RPS-51065-025,
RPS-51065-026

Sales Drawing

SD-51065-006, SD-53254-001

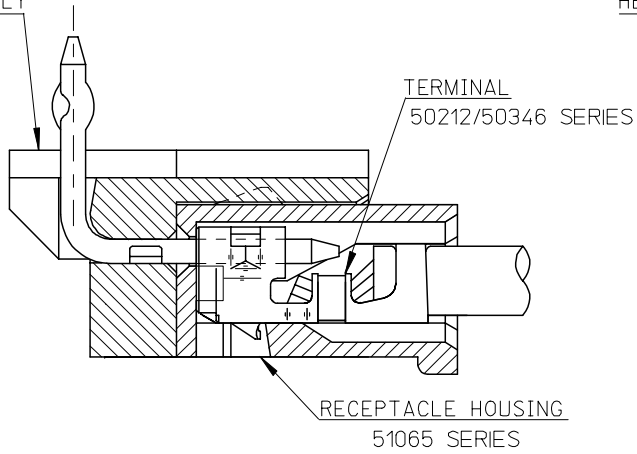
This document was generated on 05/25/2010

PLEASE CHECK WWW.MOLEX.COM FOR LATEST PART INFORMATION

10 9 8 7 6 5 4 3 2 1

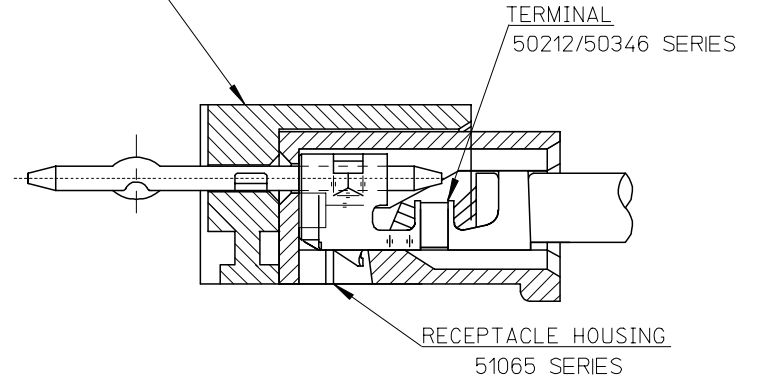
F

HEADER HOUSING ASSEMBLY
53254SERIES



51065シリーズ/53254シリーズ 嵌合状態図 参考
51065 SERIES/53254 SERIES MATED DRAWING (REF.)

HEADER HOUSING ASSEMBLY
53253SERIES



51065シリーズ/53253シリーズ 嵌合状態図 参考
51065 SERIES/53253 SERIES MATED DRAWING (REF.)

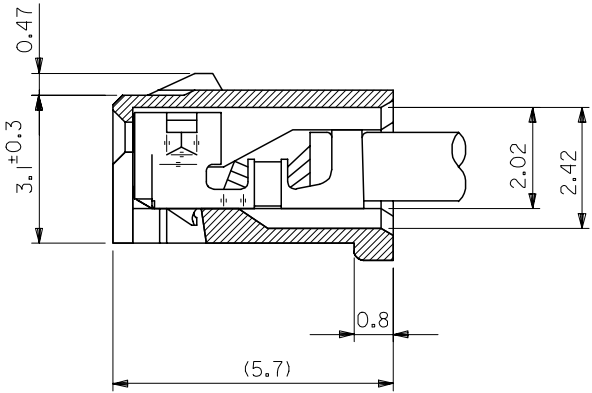
E

D

C

B

A



ターミナル装着状態図
TERMINAL ASS'Y DWG.

RELEASED EC NO: J2008-2041 DRWN: AOYAGI 2007/11/21 CHKD: THARUYAMA 2007/11/22 APPR: NUKITA 2007/11/22	GENERAL TOLERANCES (UNLESS SPECIFIED)		DIMENSION STYLE MM ONLY	SCALE 10:1	DESIGN UNITS METRIC	THIRD ANGLE PROJECTION
	10 UNDER	± 0.2	DRAWN BY Y. AOYAGI	DATE 2007/11/13	TITLE NEW 2.0 W/B CONN. 51065/53253OR51065/53254	
	10 OVER 30 UNDER	± 0.25	CHECKED BY N. UKITA	DATE 2007/11/13		
	30 OVER	± 0.3	APPROVED BY N. UKITA	DATE 2007/11/13	MOLEX INCORPORATED DOCUMENT NO. SD-51065-006 SHEET NO. 1 OF 1	
	ANGULAR	± 1 °	MATERIAL NO.			
0	DRAFT WHERE APPLICABLE MUST REMAIN WITHIN DIMENSIONS		SIZE A3	THIS DRAWING CONTAINS INFORMATION THAT IS PROPRIETARY TO MOLEX INCORPORATED AND SHOULD NOT BE USED WITHOUT WRITTEN PERMISSION		

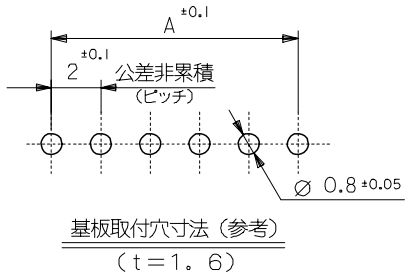
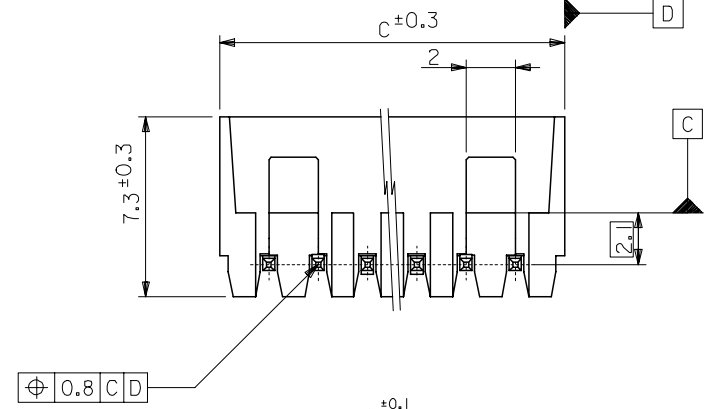
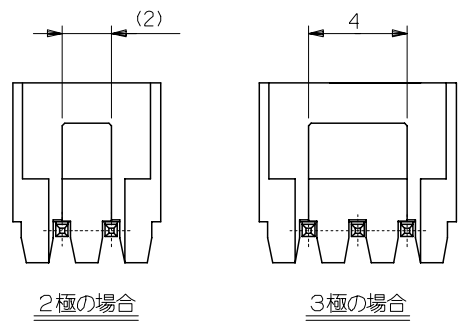
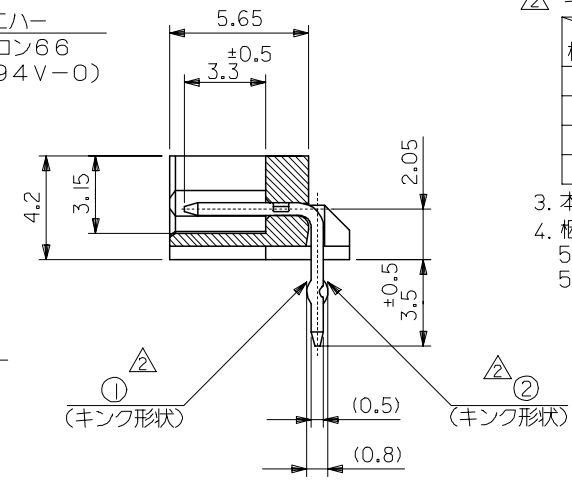
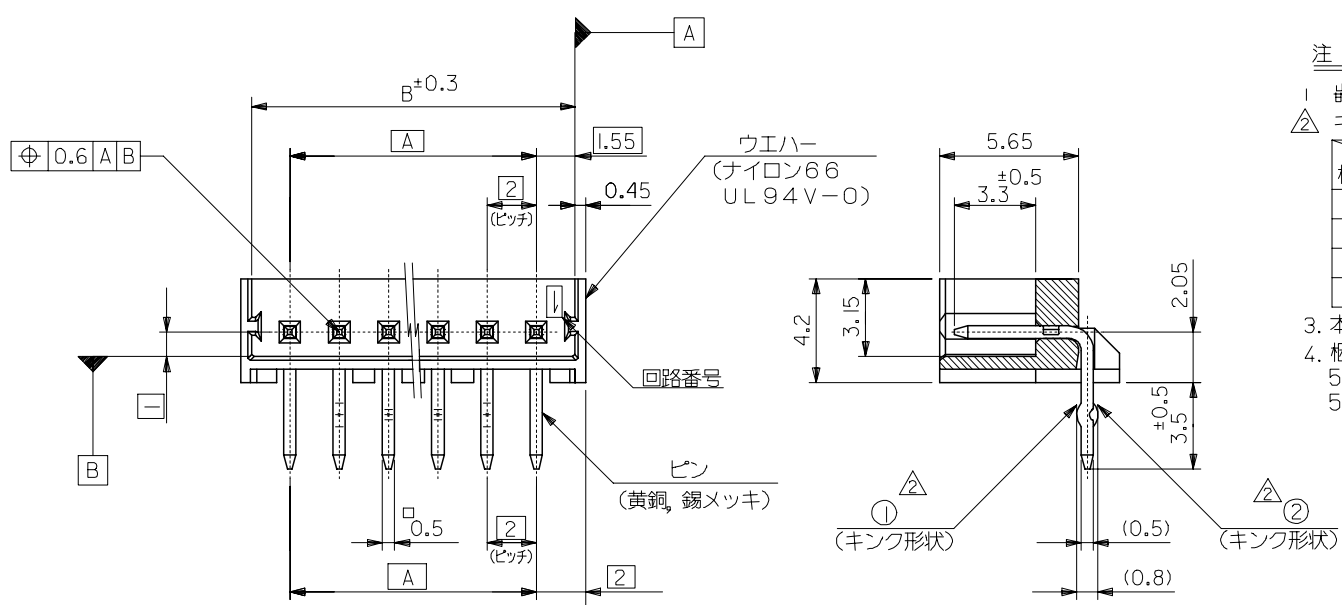
注 記

- 1 嵌合相手: 51065-**00
- △ キングは下記表の位置及び形状に付加のこと。2極はキング無し。

回路番号	1	2	3	4	5	N-2	N-1	N
6極以上	—	①	②	—	—	②	①	—
5極	①	②	—	②	①			
4極	①	②	②	①				
3極	①	②	①					

- 3. 本製品は、53254-**10の鉛フリー品です。
- 4. 梱包仕様 PACKAGING
53254-**70 トレー TRAY
53254-**50 ホリ袋 POLYBAG

32	31.1	28	53254-1550	53254-1570	15
30	29.1	26	-1450	-1470	14
28	27.1	24	-1350	-1370	13
26	25.1	22	-1250	-1270	12
24	23.1	20	-1150	-1170	11
22	21.1	18	-1050	-1070	10
20	19.1	16	-0950	-0970	9
18	17.1	14	-0850	-0870	8
16	15.1	12	-0750	-0770	7
14	13.1	10	-0650	-0670	6
12	11.1	8	-0550	-0570	5
10	9.1	6	-0450	-0470	4
8	7.1	4	-0350	-0370	3
6	5.1	2	53254-0250	53254-0270	2
C	B	A	MATERIAL NO.	MATERIAL NO.	極数
			MODEL NO.	53254-**70/**50	



REVISED EC NO: J2005-2396 DRW:NAIDA 2005/02/22 CHK:K1010 2005/02/22 APPR:NUKITA 2005/02/28	GENERAL TOLERANCES (UNLESS SPECIFIED)		DIMENSION STYLE MM ONLY		SCALE 5:1	DESIGN UNITS METRIC		THIRD ANGLE PROJECTION	
	10 UNDER	±0.2	DRAWN BY TTSUBO1		DATE '04/01/15		TITLE NEW 2.0 WIRE TO BOARD CONN. WAFER ASSY R/A -LEAD FREE-		
	10 OVER 30 UNDER	±0.25	CHECKED BY SMARUYAM		DATE '04/01/15		MOLEX INCORPORATED		
	30 OVER	±0.3	APPROVED BY MSASAO		DATE '04/01/15		DOCUMENT NO. SD-53254-001		
ANGULAR ±3 °		DRAFT WHERE APPLICABLE MUST REMAIN WITHIN DIMENSIONS		MATERIAL NO. SEE CHART		SHEET NO. 1 OF 1		SIZE A3	
THIS DRAWING CONTAINS INFORMATION THAT IS PROPRIETARY TO MOLEX INCORPORATED AND SHOULD NOT BE USED WITHOUT WRITTEN PERMISSION									