

PLEASE CHECK WWW.MOLEX.COM FOR LATEST PART INFORMATION

Part Number: [0351840900](#)
Status: **Active**
Description: 2.50mm (.098") Pitch Wire-to-Wire Plug Housing, Natural, 9 Circuits

Documents:

[3D Model](#) [Product Specification PS-35184-001 \(PDF\)](#)
[Drawing \(PDF\)](#) [RoHS Certificate of Compliance \(PDF\)](#)
[Product Specification PS-35053-001 \(PDF\)](#)

Agency Certification

CSA LR19980
 UL E29179

General

Product Family Crimp Housings
 Series [35184](#)
 Product Name N/A

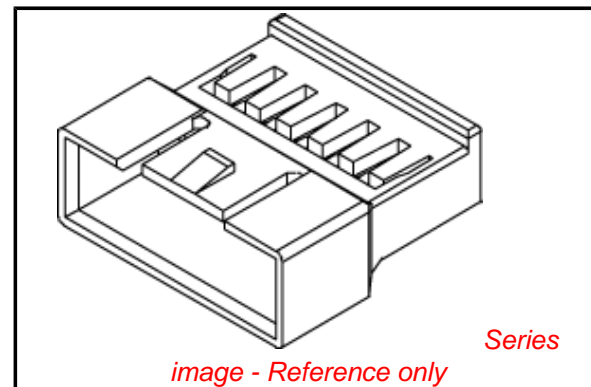
Physical

Breakaway No
 Circuits (maximum) 9
 Color - Resin Natural
 Flammability 94V-0
 Gender Male
 Glow-Wire Compliant No
 Keying to Mating Part None
 Lock to Mating Part Yes
 Material - Resin Nylon
 Number of Rows 1
 Packaging Type Bag
 Panel Mount No
 Pitch - Mating Interface (in) 0.098 In
 Pitch - Mating Interface (mm) 2.50 mm
 Temperature Range - Operating -40°C to +105°C

Material Info

Reference - Drawing Numbers

Product Specification PS-35053-001, PS-35184-001
 Sales Drawing SD-35184-**0*



EU RoHS

**ELV and RoHS
 Compliant**
**REACH SVHC
 Contains SVHC: No**
**Halogen-Free
 Status
 Not Reviewed**

China RoHS



**Need more information on product
 environmental compliance?**

Email productcompliance@molex.com
 For a multiple part number RoHS Certificate of
 Compliance, [click here](#)

Please visit the [Contact Us](#) section for any
 non-product compliance questions.

Search Parts in this Series

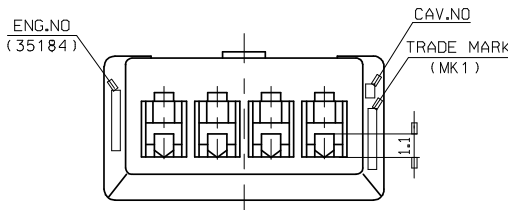
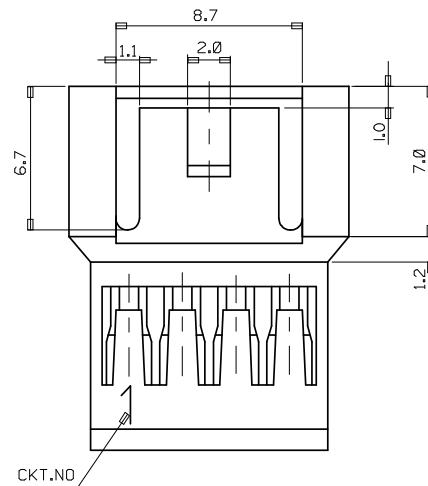
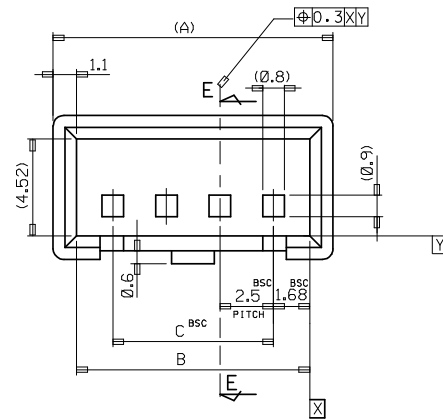
[35184Series](#)

Mates With

[35155](#) Wire-to-Board Housing, [35572](#) Wire-
 to-Wire and Wire-to-Board Housing

Use With

[35053](#) Wire-to-Wire Terminal

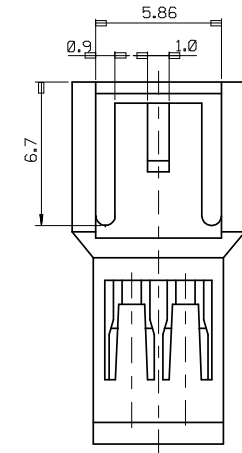


NOTES

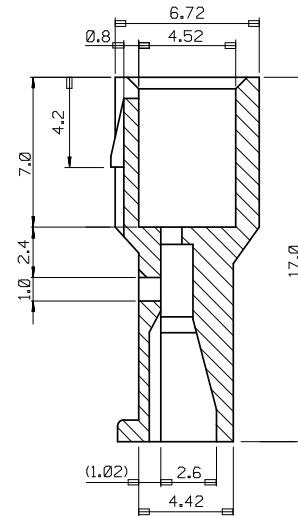
1. MATERIAL : SEE TABLE
2. USED WITH TERMINAL : 35053-9002
3. MATED WITH FEMALE HOUSING : 35155-***0

LEGEND

35184 - ** * *
 COLOR : 0 --- NATURAL
 2 --- RED
 0 : PA66 / 9 : PBT/PC
 CKT NO.



2.3 CKT ONLY



SECTION E-E

35.0	38.36	40.56	3518415**	35184-15 *	15
32.5	35.86	38.06	3518414**	-14**	14
30.0	33.36	35.56	3518413**	-13**	13
27.5	30.86	33.06	3518412**	-12**	12
25.0	28.36	30.56	3518411**	-11**	11
22.5	25.86	28.06	3518410**	-10**	10
20.0	23.36	25.56	3518409**	-09**	9
17.5	20.86	23.06	3518408**	-08**	8
15.0	18.36	20.56	3518407**	-07**	7
12.5	15.86	18.06	3518406**	-06**	6
10.0	13.36	15.56	3518405**	-05**	5
7.5	10.86	13.06	3518404**	-04**	4
5.0	8.36	10.56	3518403**	-03**	3
2.5	5.86	8.06	3518402**	35184-02**	2
C	B	(A)	MATERIAL NO	ENG.NO	CKT

REVISED EC NO: KOR2008-0103 DRWN:SKHAN01 2007/12/21 CHKD:WY.YANG 2007/12/21 APPR:YUNS IKK IM 2007/12/21	QUALITY SYMBOLS = 0 = 0	GENERAL TOLERANCES (UNLESS SPECIFIED)		DIMENSION STYLE MM ONLY		SCALE 4:1	DESIGN UNITS METRIC	THIRD ANGLE PROJECTION	
		4 PLACES ± --- ± --- 3 PLACES ± --- ± --- 2 PLACES ± --- ± --- 1 PLACE ± 0.3 ± ---	mm INCH ± --- ± --- ± --- ± --- ± 0.3 ± ---	DRAWN BY DATE SK.HAN 2007/12/13	TITLE 2.5 PITCH W/W CONN. MALE HOUSING				
		DRAFT WHERE APPLICABLE MUST REMAIN WITHIN DIMENSIONS		CHECKED BY DATE WY.YANG 2007/12/13	MOLEX INCORPORATED				
		ANGULAR ± 2 °		APPROVED BY DATE EH. JUNG 2007/12/13	MATERIAL NO. SEE TABLE	DOCUMENT NO. SD-35184-***0*	SHEET NO. 1 OF 1		