

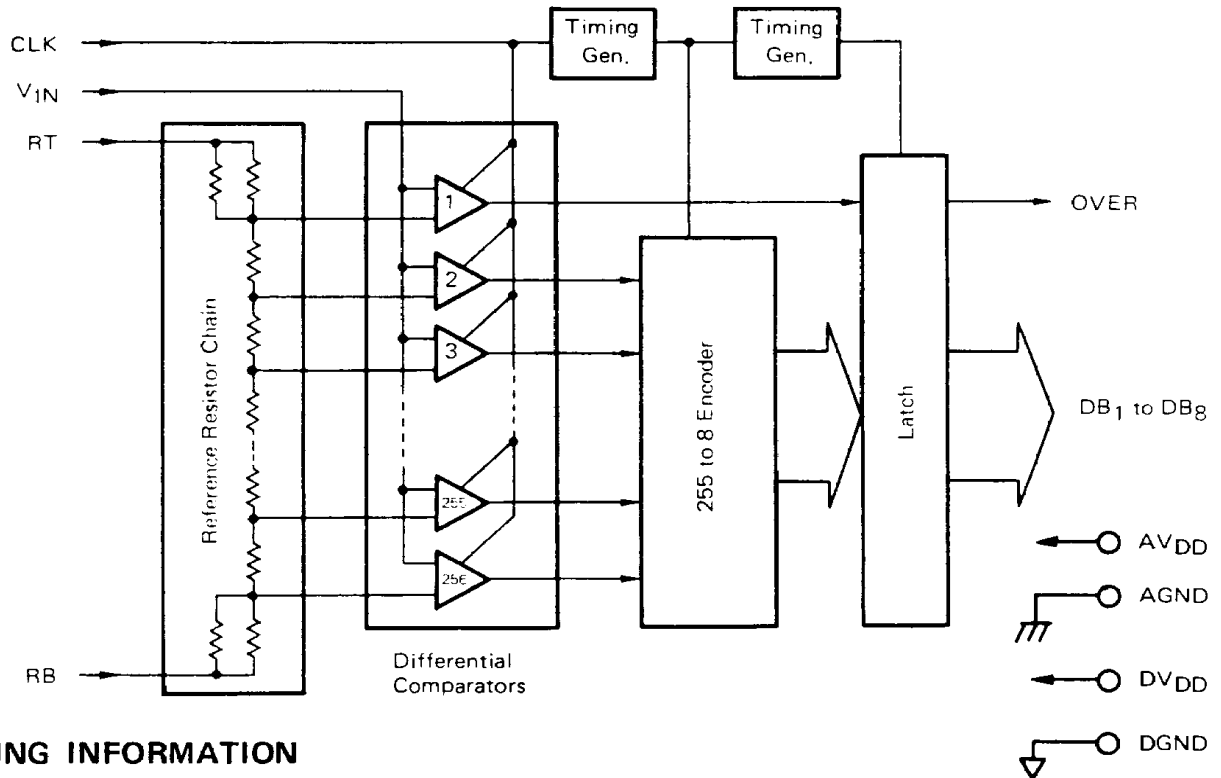
8 bit A/D Converter for Video Signal Processing
CMOS LSI

The μ PD6950 is an 8 bit A/D converter designed for use in video applications. The high-speed CMOS processing technology and full-parallel conversion technics adopted for this CMOS device have enabled fast conversion rates to be achieved. Conversion rates of up to 15 Msp/s can be attained while operating at low power consumption, making this device ideal for a wide range of applications including digital TV systems and high-speed facsimile.

FEATURES

- Resolution : 8 bits
- Conversion rate : 15 Msp/s
- Linearity : ± 1.5 LSB MAX.
- Reference voltage : 3.5 V TYP.
- Power supply voltage : +5 V single
- Low power consumption (400 mW TYP.)
- TTL compatible (Digital output)
- 24 pin plastic DIP

BLOCK DIAGRAM



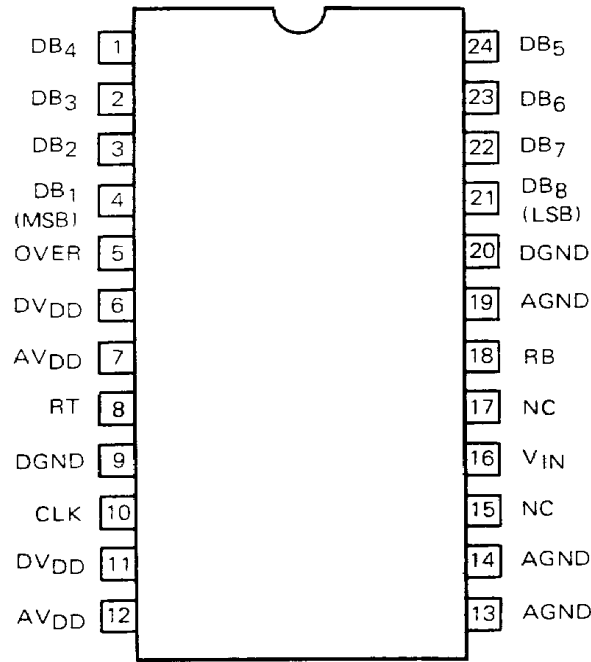
ORDERING INFORMATION

Ordering Name	Package
μ PD6950C	24 pin plastic DIP (600 mil)

NEC cannot assume any responsibility for any circuits shown or represent that they are free from patent infringement.

The * mark outside the columns denotes major points where revisions or additions are made in this edition.

CONNECTION DIAGRAM (Top View)



www.DataSheet4U.com

1	DB ₄	Digital output (4th)
2	DB ₃	Digital output (3rd)
3	DB ₂	Digital output (2nd)
4	DB ₁	Digital output (MSB)
5	OVER	Over range
6	DV _{DD}	Digital power supply
7	AV _{DD}	Analog power supply
8	RT	Reference voltage (high voltage side)
9	DGND	Digital GND
10	CLK	Sampling clock input
11	DV _{DD}	Digital power supply
12	AV _{DD}	Analog power supply
13	AGND	Analog GND
14	AGND	Analog GND
15	NC	No connection
16	V _{IN}	Analog input
17	NC	No connection
18	RB	Reference voltage (Low level side)
19	AGND	Analog GND
20	DGND	Digital GND
21	DB ₈	Digital input (LSB)
22	DB ₇	Digital input (7th)
23	DB ₆	Digital input (6th)
24	DB ₅	Digital input (5th)

ABSOLUTE MAXIMUM RATINGS (T_a = 25 °C)

Power supply voltage	-0.3 to +7.0	V
Input terminal voltage	-0.3 to V _{DD} +0.3	V
Output terminal voltage	-0.3 to V _{DD} +0.3	V
Reference GND voltage	-0.3 to +0.3	V
Analog power supply voltage	DV _{DD} -0.3 to DV _{DD} +0.3	V
Analog GND voltage	DGND-0.3 to DGND+0.3	V
Operating temperature range	-20 to +75	°C
Storage temperature range	-40 to +125	°C

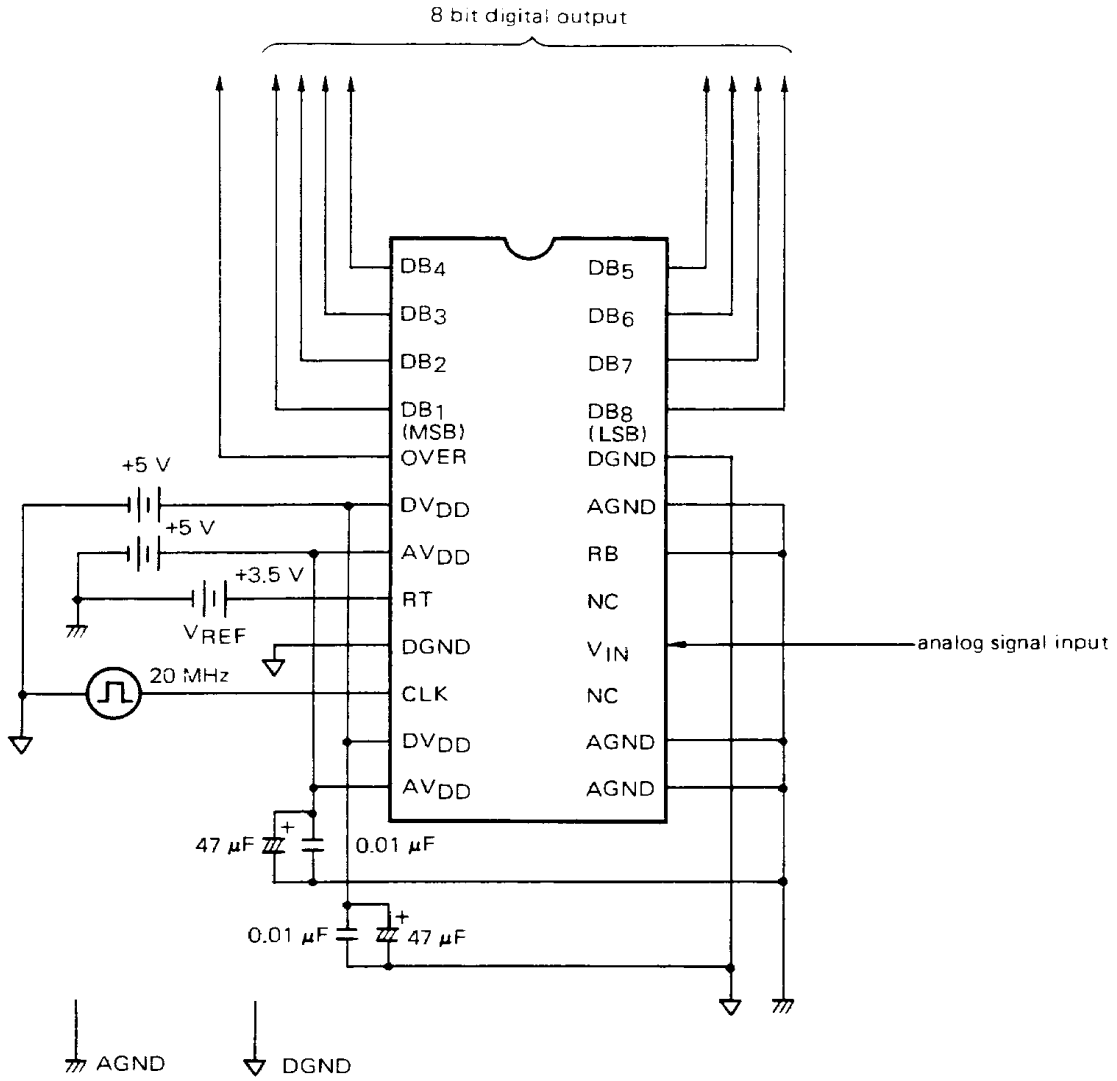
RECOMMENDED OPERATING CONDITION (T_a = -20 to +75 °C)

CHARACTERISTIC	SYMBOL	MIN.	TYP.	MAX.	UNIT	TEST CONDITION
Power supply voltage	AV _{DD} , DV _{DD}	4.5	5.0	5.5	V	AGND=DGND=0 V
Reference voltage	V _{RT}	2.5	3.5	V _{DD} -1	V	V _{REF} =V _{RT} -V _{RB} , V _{RB} =0 V
Sampling clock	f _{samp}	0.01		15	MHz	
Sampling clock low level pulse width	t _{PWL}	25			ns	
Sampling clock high level pulse width	t _{PWH}	25			ns	
CLK input high level	V _{IH}	2.7			V	
CLK input low level	V _{IL}			0.4	V	
Analog input voltage	V _{AIN}	0		V _{REF}	V	

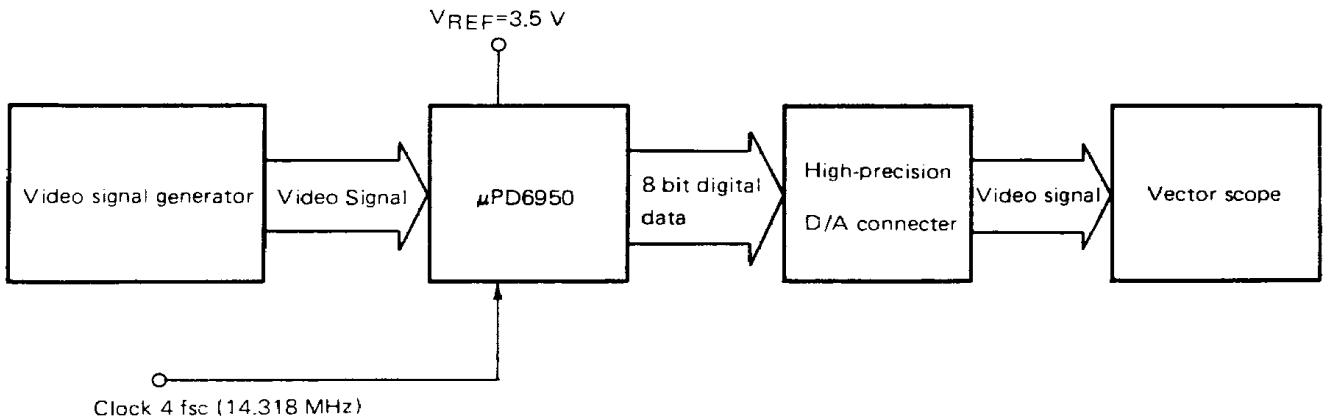
ELECTRICAL CHARACTERISTICS (T_a = -20 to +75 °C, V_{DD} = AV_{DD} = DV_{DD} = 5 V ±0.25 V, f_{samp} = 15 MHz)

CHARACTERISTIC	SYMBOL	MIN.	TYP.	MAX.	UNIT	TEST CONDITION
Power supply current	I _{DD}		80	110	mA	I _{DD} =A _I DD+D _I DD, AV _{DD} =DV _{DD} =5.0 V
Resolution	RES		8		bit	
Non-linearity	NL			±1.5	LSB	AV _{DD} +DV _{DD} =5.0±0.25 V, V _{REF} =3.5 V, T _a =0 to 60 °C
Differential gain	DG		3	5	%	40 IRE Ramp Signal, V _{REF} =3.5 V, T _a =0 to 60 °C, f _{samp} =14.318 MHz
Differential phase	DP		3	5	deg	40 IRE Ramp Signal, V _{REF} =3.5 V, T _a =0 to 60 °C, f _{samp} =14.318 MHz
Data output delay time	t _D	20	30	40	ns	CLK ↑→ DB ₁ to 6, OVER
Data output high level voltage	V _{OH}	2.8			V	I _{OH} =-1.0 mA
Data output low level voltage	V _{OL}			0.4	V	I _{OL} =1.8 mA
Reference resistance	R _{REF}		1.5		kΩ	Between RT and RB
Analog input resistance	R _{IN}		1		MΩ	
Analog input capacitance	C _{IN}		80		pF	

TEST CIRCUIT

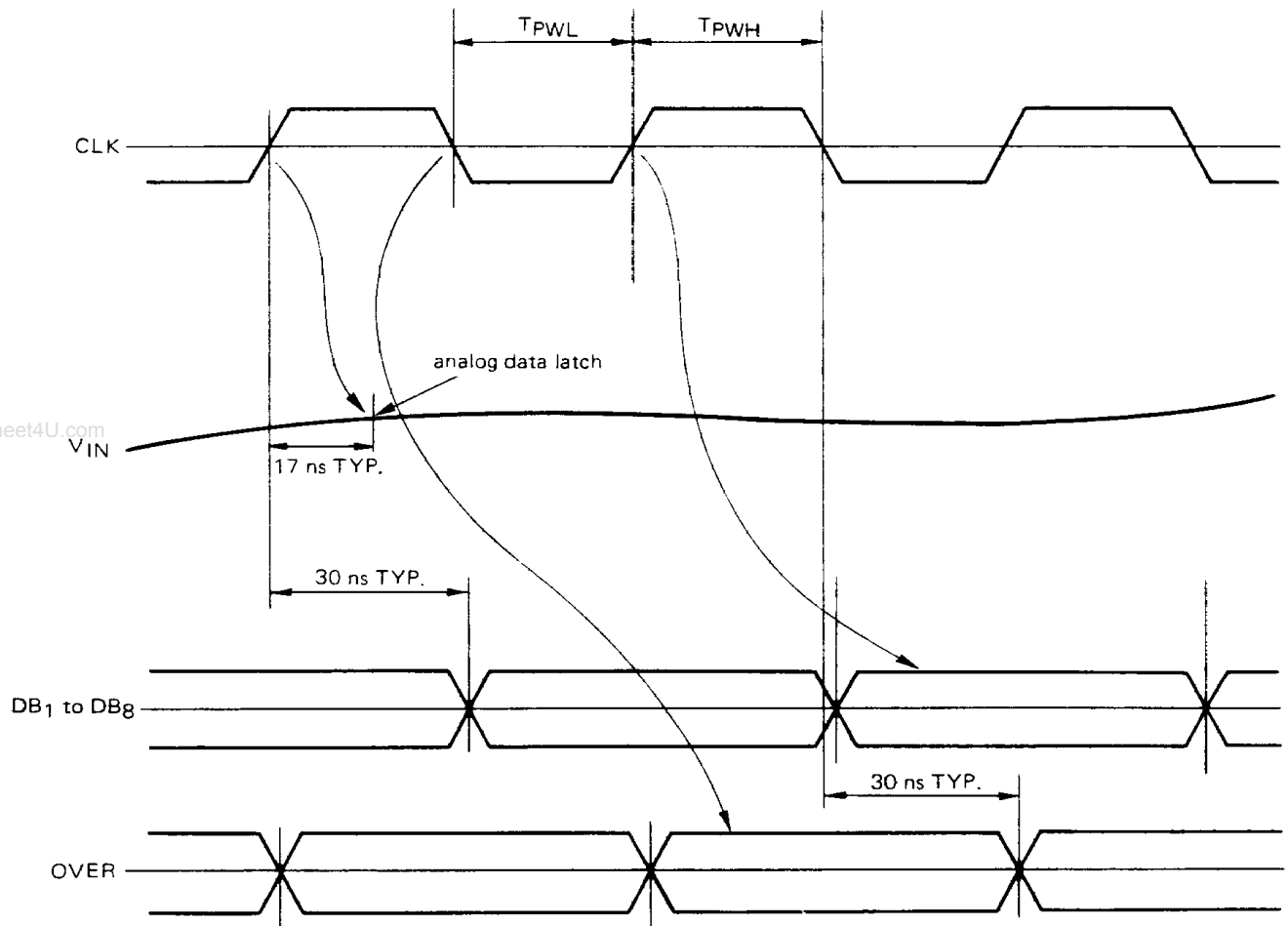


DG AND DP MEASUREMENT BLOCK DIAGRAM



The video signal from the video signal generator is 40 IRE Ramp signal.

TIMING CHART



www.DataSheet4U.com



PIN DESCRIPTIONS

DGND	(Pins 9, 20)	Digital system ground
AGND	(Pins 13, 14, 19)	Analog system ground
DV _{DD}	(Pins 6, 11)	Digital system power supply (+5 V)
AV _{DD}	(Pins 7, 12)	Analog system power supply (+5 V)

The digital system power supply and ground is isolated from the analog system power supply and ground in the IC as a precaution against noise. The ground and power supply lines are also isolated on the circuit boards, the analog ground being as wide as possible for better stability.

Insert by-pass capacitors of about 0.01 μF and 47 μF between the analog power line and analog ground, and also between the digital power line and digital ground. These capacitors should be connected as close as possible to the μPD6950 pins. Supply the digital system power from the analog power line through the low path filter to prevent from lurch up.

RT	(Pin 8)	Reference voltage input pin (high voltage side)
RB	(Pin 18)	Reference voltage input pin (low voltage side)

These pins are the reference voltage V_{REF} input pins.
Normally, these pins are used at RT = 3.5 V and RB = AGND.

V _{IN}	(Pin 16)	Analog input pin
-----------------	----------	------------------

The input analog signal applied to this pin is latched synchronized with the rising edge of the sampling clock and is subsequently obtained as an 8 bit digital signal from pins DB₁ thru DB₈.

Note: Since the electrostatic resistivity of the analog input pin is a little lower than other pins to achieve the required input characteristics, this input should be handled with extra care.

DB ₁ to DB ₈	(Pins 1 thru 4, and 21 thru 24)	Digital data output pins
------------------------------------	---------------------------------	--------------------------

DB₁ to DB₈ are the 8 bit digital data output pins. The code format is binary, and the output voltage level is TTL compatible.

The analog signal applied to the analog input pin is latched at the rising edge of the sampling clock, converted to digital data, and then obtained as the output at the next rising edge of the sampling clock.

analog input	digital output								
	OVER	DB ₁ (MSB)	DB ₂	DB ₃	DB ₄	DB ₅	DB ₆	DB ₇	DB ₈ (LSB)
0 V (RB) to 1/2 LSB	0	0	0	0	0	0	0	0	0
1/2 LSB to (1+1/2) LSB	0	0	0	0	0	0	0	0	1
⋮	⋮	⋮	⋮	⋮	⋮	⋮	⋮	⋮	⋮
(254+1/2) LSB to (255+1/2) LSB	0	1	1	1	1	1	1	1	1
(255+1/2) LSB to 3.5 V (RT)	1	1	1	1	1	1	1	1	1
3.5 V (RT) to V _{DD}	1	1	1	1	1	1	1	1	1

$$LSB = \frac{RT - RB}{256}$$

OVER	(Pin 5)	Over range output pin
------	---------	-----------------------

This output signal indicates analog signal overflow. A high level output is generated if the input voltage level of the analog input V_{IN} exceeds (255+1/2) LSB where LSB is (V_{RT}-V_{RB})/256. The output signal is obtained at the falling edge of the sampling clock.

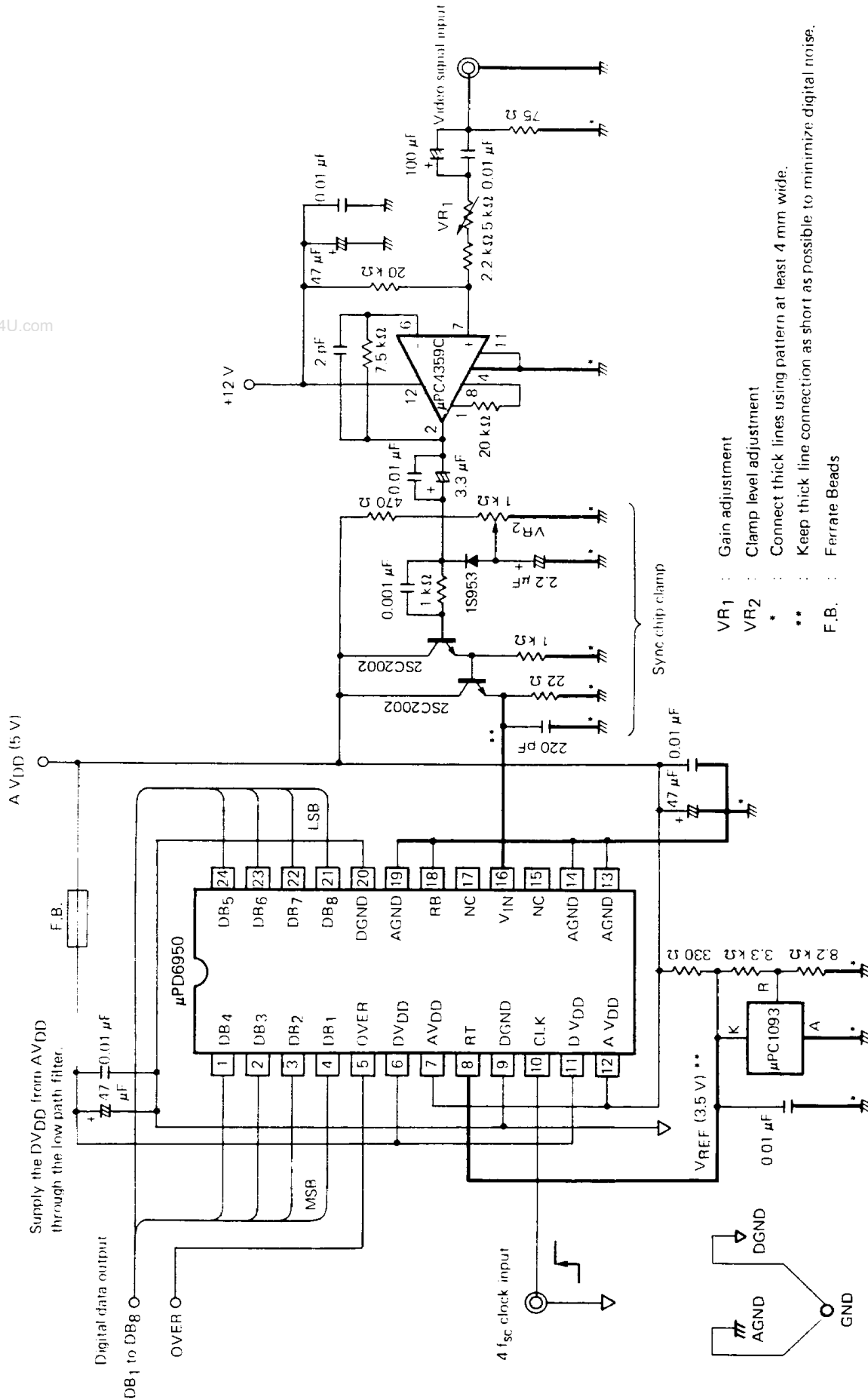
CLK	(Pin 10)	Sampling clock input pin
-----	----------	--------------------------

The analog signal is latched by the falling edge of the clock signal applied to the A/D converter sampling clock input pin. The complete sequence of events involved in A/D conversion (comparison, encoding, latching, data output) is synchronized with this clock signal. The maximum clock frequency is 15 MHz.

NC	(Pins 15, 17)	No connection pins
----	---------------	--------------------

These pins may be connected to analog ground.

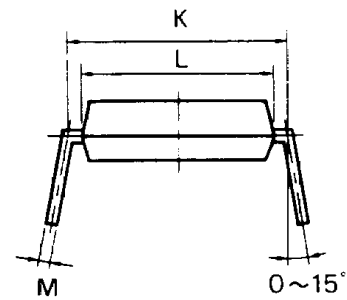
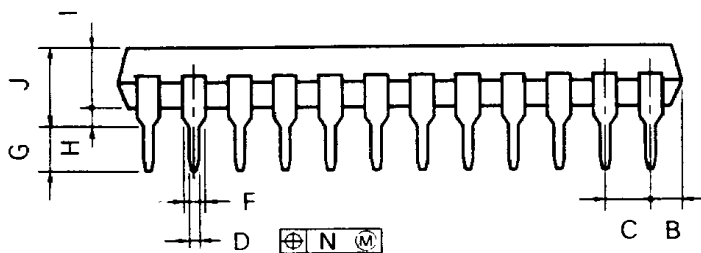
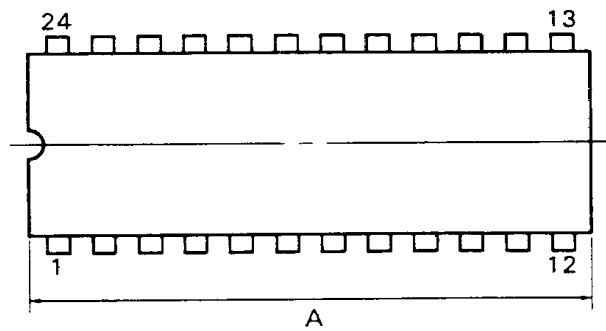
APPLICATION CIRCUIT



NEC cannot assume any responsibility for any circuits shown or represent that they are free from patent infringement.
 NEC reserves the right to make changes at any time without notice in order to improve design and supply the best product possible.

PACKAGE DIMENSIONS (Unit: mm)

24PIN PLASTIC DIP (600 mil)



P24C-100-600

NOTES

- 1) Each lead centerline is located within 0.25 mm (0.01 inch) of its true position (T.P.) at maximum material condition.
- 2) Item "K" to center of leads when formed parallel.

ITEM	MILLIMETERS	INCHES
A	33.02 MAX.	1.300 MAX.
B	2.54 MAX.	0.100 MAX.
C	2.54 (T.P.)	0.100 (T.P.)
D	0.50 ^{+0.10} ₀	0.020 ^{+0.004} _{-0.005}
F	1.2 MIN.	0.047 MIN.
G	3.5 ^{+0.3} ₀	0.138 ^{+0.012} ₀
H	0.51 MIN.	0.020 MIN.
I	4.31 MAX.	0.170 MAX.
J	5.72 MAX.	0.226 MAX.
K	15.24 (T.P.)	0.600 (T.P.)
L	13.2	0.520
M	0.25 ^{+0.10} _{-0.05}	0.010 ^{+0.004} _{-0.003}
N	0.25	0.01