



2SB778

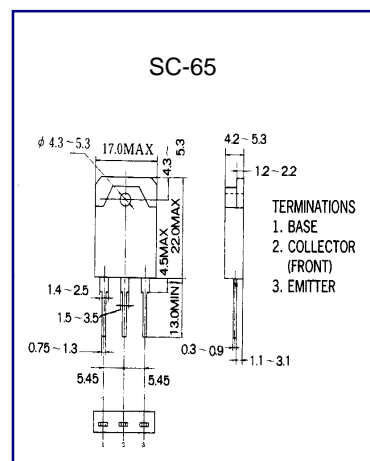
PNP PLANAR SILICON TRANSISTOR

**AUDIO POWER AMPLIFIER
DC TO DC CONVERTER**

- High Current Capability
- High Power Dissipation

ABSOLUTE MAXIMUM RATING (T_A=25°C)

| Characteristic | Symbol | Rating | Unit |
|---------------------------|------------------|---------|------|
| Collector-Base Voltage | V _{CB0} | -120 | V |
| Collector-Emitter Voltage | V _{CE0} | -120 | V |
| Emitter-Base voltage | V _{EB0} | -6 | V |
| Collector Current (DC) | I _C | -10 | A |
| Collector Dissipation | P _C | 80 | W |
| Junction Temperature | T _j | 150 | °C |
| Storage Temperature | T _{stg} | -55~150 | °C |



ELECTRICAL CHARACTERISTICS (T_A=25°C)

| Characteristic | Symbol | Test Condition | Min | Typ | Max | Unit |
|---------------------------------------|----------------------|---|------|-----|------|------|
| Collector Base Breakdown Voltage | BV _{CB0} | I _C =-5 mA I _E =0 | -120 | | | V |
| Collector Emitter Breakdown Voltage | BV _{CE0} | I _C =-10 mA R _{BE} =∞ | -120 | | | V |
| Emitter Base Breakdown Voltage | BV _{EB0} | I _E =-5mA I _C =0 | -6 | | | V |
| Collector Cutoff Current | I _{CB0} | V _{CB} =-60V I _E =0 | | | -0.1 | mA |
| Emitter Cutoff Current | I _{EB0} | V _{EB} =-4V I _C =0 | | | -0.1 | mA |
| *DC Current Gain | h _{FE1} | V _{CE} =-5V I _C =-1A | 55 | 120 | 160 | |
| DC Current Gain | h _{FE2} | V _{CE} =-5V I _C =-2A | | | | |
| Collector- Emitter Saturation Voltage | V _{CE(sat)} | I _C =-3A I _B =-0.3A | | | -1.5 | V |