

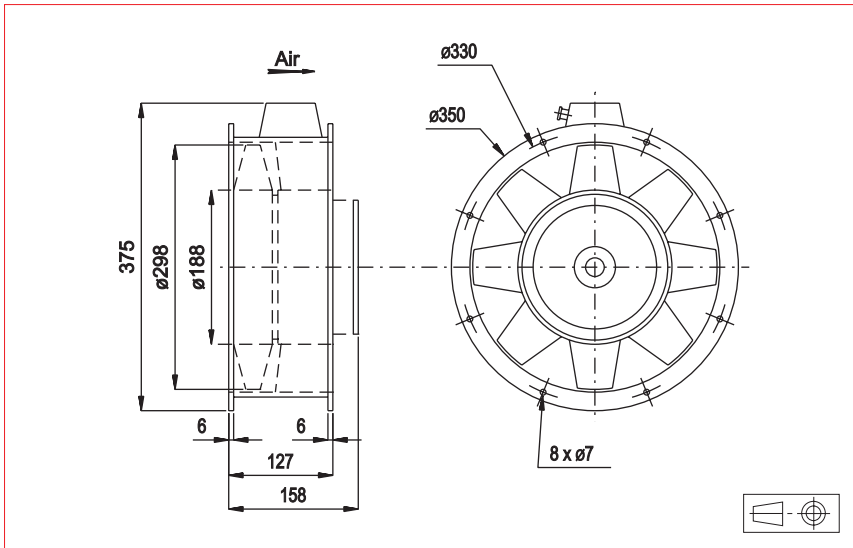
Ø 13,78" x 6,22"

Ø 350 x 158 mm

97AC  
97CH

**ETRI**®

AC High Performance Fans



**Approvals**

CE, NATO codification

**Life expectancy**

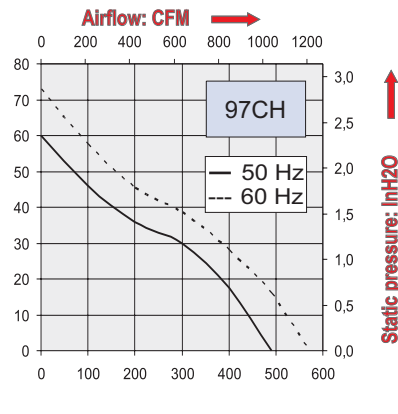
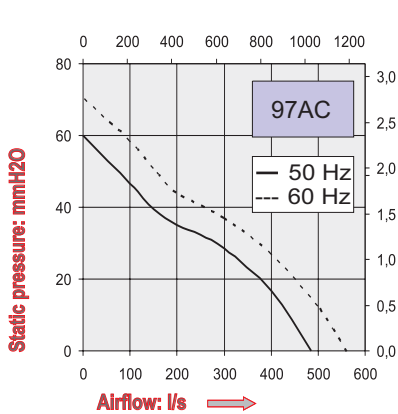
L-10 LIFE AT 40°C:  
25 000 hours

**AC Motor**

Housing material: aluminium  
Impeller material: aluminium  
Weight: 11 kg  
Bearing system: ball bearings

**Available with:**

- Safety switch



Part Number	Nominal voltage	Airflow	Noise level	Nominal speed	Frequency	Phases	Capacitor (not included)	Input power	Nominal Current	Starting Current	Connection type		Operating temperature	
	V	l/s	dB(A)	RPM	Hz		µF	W	mA	mA	Leads	Terminals	Min.°C	Max.°C
97AC0161C13	127	485	73	2850	50	1	20	165	1300	5200		X	-10	70
	220	485	73	2700	50	1	6,9	220	740	3600		X	-10	70
	127	560	76	3250	60	1	20	400	1700	5700		X	-10	70
	220	550	76	3250	60	1	6,9	400	1050	3300		X	-10	70
97CH016DC13	220	490	73	2850	50	3		136	490	3300		X	-10	70
	380	490	73	2850	50	3		136	280	1900		X	-10	70
	220	570	76	3300	60	3		198	600	2800		X	-10	70
	380	570	76	3300	60	3		198	350	1500		X	-10	70

**Additional versions:**

Salt spray protected - Shock and vibration protected - Marine specifications  
Wide temperature range - Other voltages (consult factory)

**Accessories:**

Refer to Accessories leaflet