

PLEASE CHECK WWW.MOLEX.COM FOR LATEST PART INFORMATION

Part Number: [0039036120](#)
Status: **Active**
Overview: [standard_093](#)
Description: 2.36mm (.093") Diameter Standard .093" Pin and Socket Plug Housing With Positive Latch, UL 94V-2, Panel Mount, 12 Circuits

Documents:

[3D Model](#) [Product Specification PS-3191-001 \(PDF\)](#)
[Drawing \(PDF\)](#) [RoHS Certificate of Compliance \(PDF\)](#)

Agency Certification

CSA	LR19980
TUV	R72081037
UL	E29179

General

Product Family	Crimp Housings
Series	3191
Comments	Polarized to Mating Part
Overview	standard_093
Product Name	Standard .093"

Physical

Breakaway	No
Circuits (maximum)	12
Circuits Detail	3x4
Color - Resin	Natural
Flammability	94V-2
Gender	Dual
Glow-Wire Compliant	No
Keying to Mating Part	None
Lock to Mating Part	Yes
Material - Resin	Nylon
Number of Rows	3
Packaging Type	Bag
Panel Mount	Yes
Pitch - Mating Interface (in)	0.264 In
Pitch - Mating Interface (mm)	6.71 mm
Polarized to Mating Part	Yes
Stackable	No
Temperature Range - Operating	-40°C to +105°C

Electrical

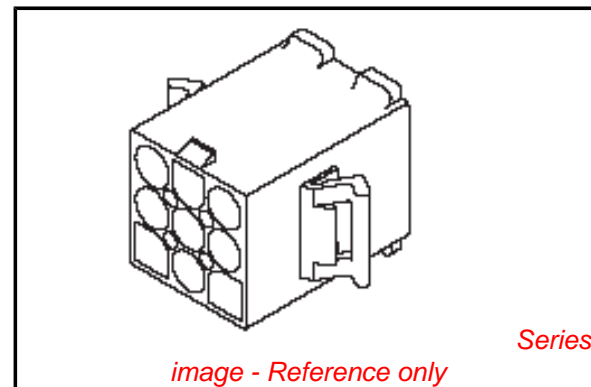
Current - Maximum per Contact	7A
-------------------------------	----

Material Info

Old Part Number	3191-12P
-----------------	----------

Reference - Drawing Numbers

Packaging Specification	SPK-3191-001
Product Specification	PS-3191-001
Sales Drawing	SD-3191-12P-*



EU RoHS

ELV and RoHS Compliant
REACH SVHC Contains SVHC: No
Halogen-Free Status
Not Reviewed

China RoHS



Need more information on product environmental compliance?

Email productcompliance@molex.com
 For a multiple part number RoHS Certificate of Compliance, [click here](#)

Please visit the [Contact Us](#) section for any non-product compliance questions.

Search Parts in this Series

[3191Series](#)

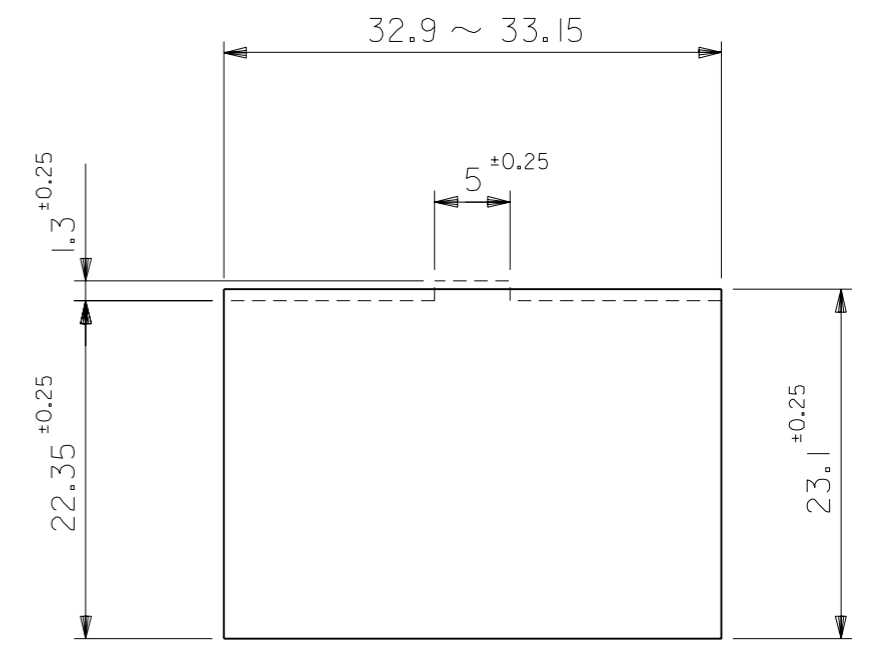
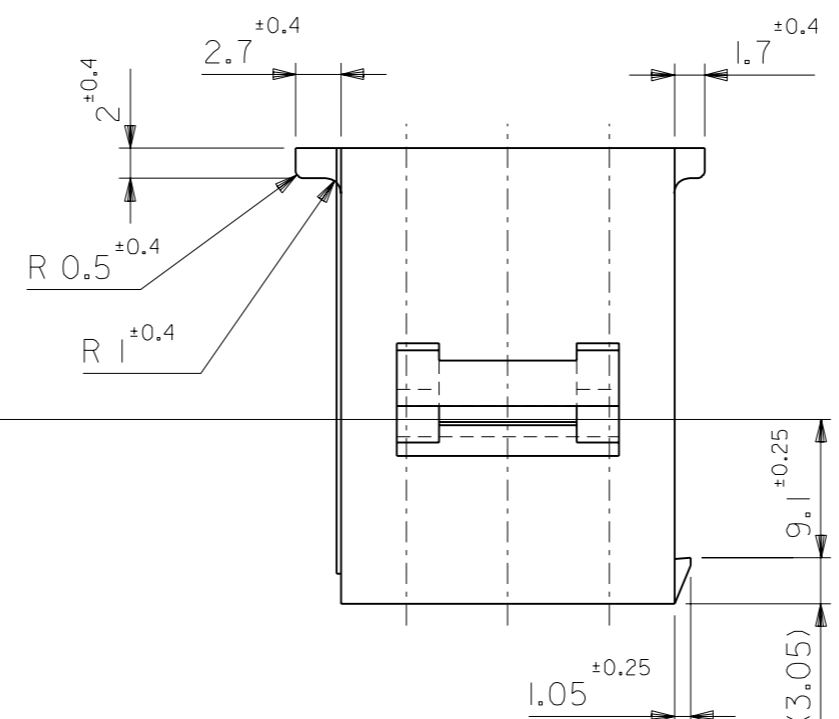
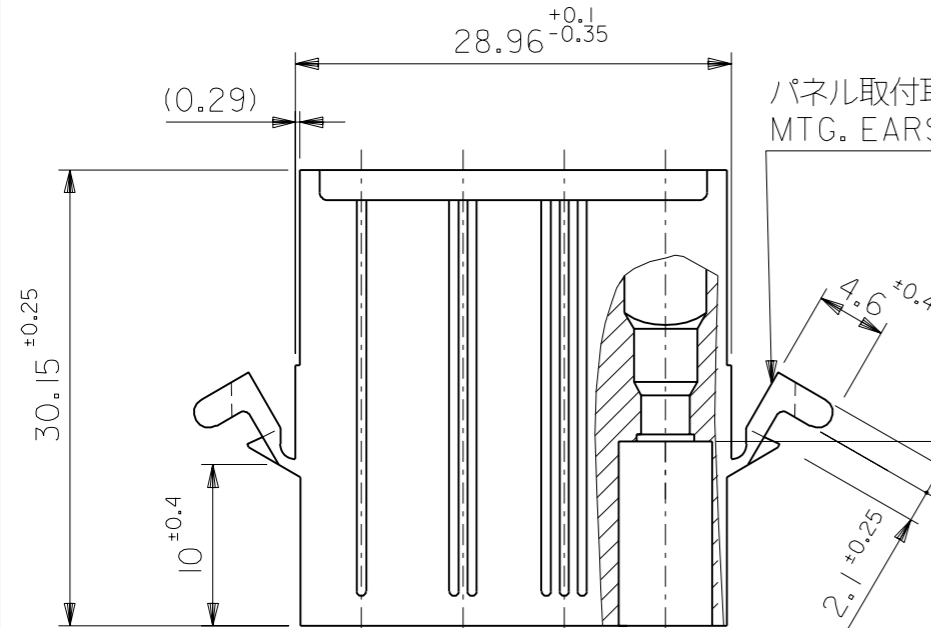
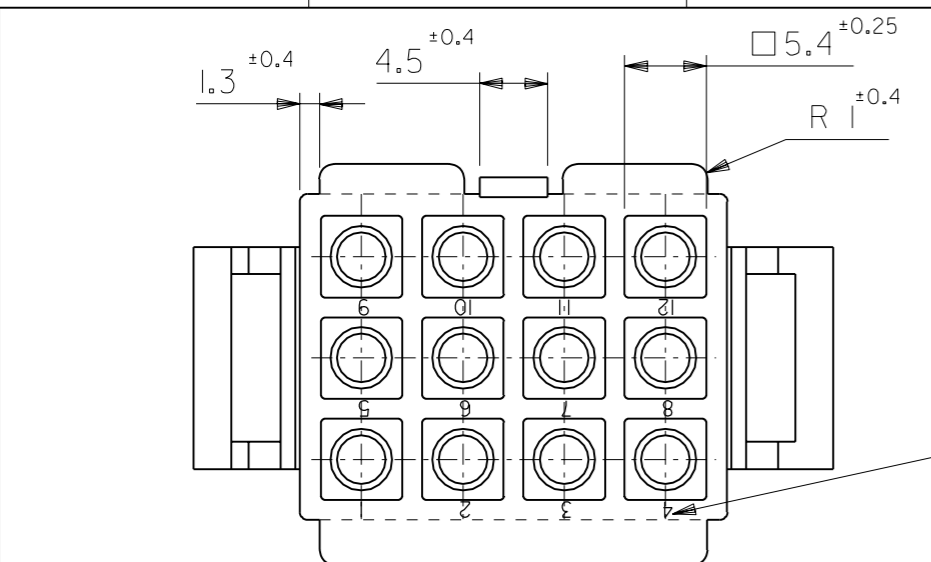
Mates With

[3191](#) Pin and Socket Rectacle, [5219](#) Vertical PCB Header

Use With

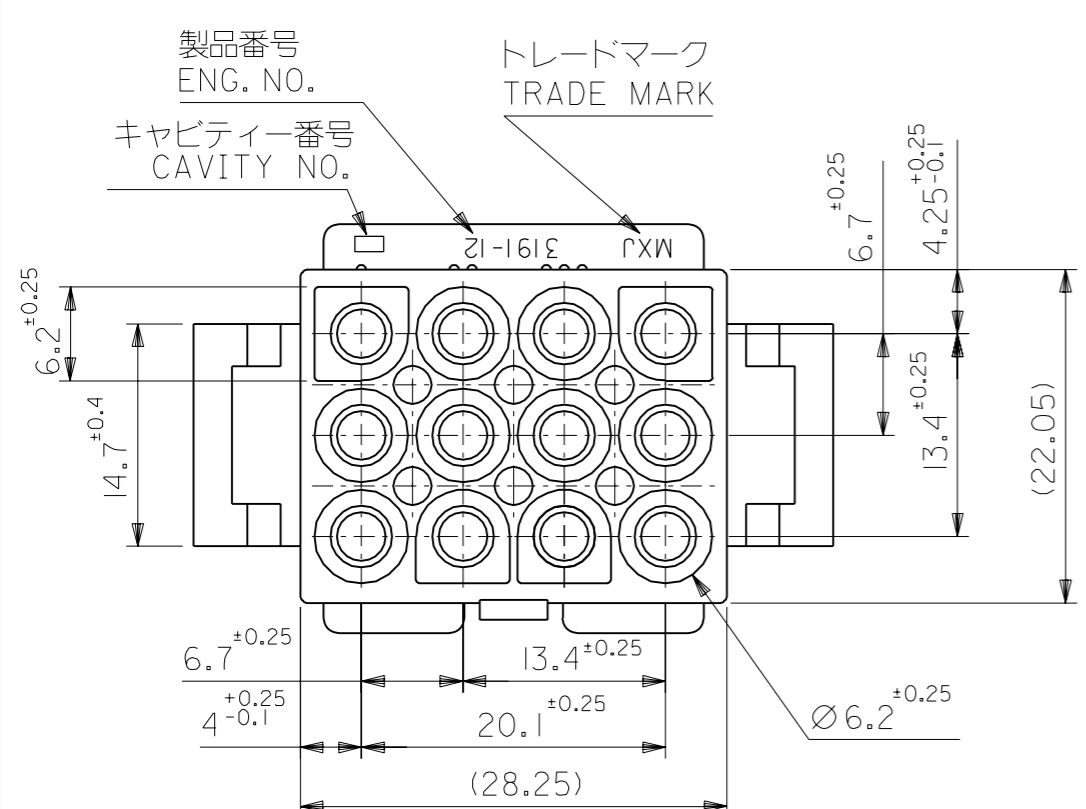
[1189](#) Crimp Terminals, [1190](#) Crimp Terminals, [1380](#) Male Crimp Terminals, [1381](#) Female Crimp Terminals, [1433](#) Crimp Terminals, [1434](#) Male Crimp Terminals, [2605](#) , [2606](#) , [1973](#) , [2151](#) , [2273](#) , [2870](#) , [2871](#) , [4272](#) , Lin

DWG. NO. SD-3191-12P-*



パネル取付穴推奨寸法 (厚さ 2.0 最大)
ハウジングの装着はパネル穴打抜き方向より行うこと
RECOMMENDED PANEL HOLE DIMENSION (THK. 2.0 MAX.)
ATTACH THE HOUSING FROM THE DIRECTION OF
PANEL HOLE PUNCHED OUT

注記
NOTE
() 内寸法は参考値
DIMENSIONS IN () ARE REFERENCE



39-03-6121	3191-12P-201	NYLON66	94V-0
39-03-6120	3191-12P	NYLON66	94V-2
EDP. NO.	ENG. NO.	MATERIAL	UL

角度 ANGLE	±3°	材料 MATERIAL	表参照 SEE CHART
30 以上 OVER	±0.3	仕上げ FINISH	—
10 以上 30 未満 OVER UNDER	±0.25	適用電線範囲 WIRE RANGE	—
10 未満 UNDER	±0.2	被覆外径 INS. RANGE	—
一般公差 GENERAL TOLERANCES	L	再作図 REDRAWN (JCT0316)	H.I. M.F. '96/06/24
記号 LTR	変更内容 REVISION RECORD	DR. CHK.	日付 DATE
		APP'D BY '96/06/24 M.ENOMOTO	尺度 SCALE 2 : 1

MATERIAL		MOLEX-JAPAN CO.,LTD. 日本モレックス株式会社	
FINISH		REVISE ONLY ON CAD SYSTEM	
WIRE RANGE		TITLE 名称	
INS. RANGE		12 CKT. PLUG HS'G. (.093 DIA. TERMINAL)	
DRAWN BY '96/06/24 H.IIJIMA		CHK'D BY '96/06/24 M.FUKUSHIMA	
DWG. NO.		REV	
SD-3191-12P-*		L	