

N-Channel Synchronous MOSFETs With Break-Before-Make

FEATURES

- 0- to 30-V Operation
- Under-Voltage Lockout
- Shoot Through Resistant
- Fast Switching Times
- SO-16 Package
- Driver Impedance— $3\ \Omega$
- 30-V MOSFETs
- High Side: $0.028\ \Omega @ V_{DD} = 4.5\ V$
- Low Side: $0.008\ \Omega @ V_{DD} = 4.5\ V$
- Switching Frequency: 250 kHz to 1 MHz

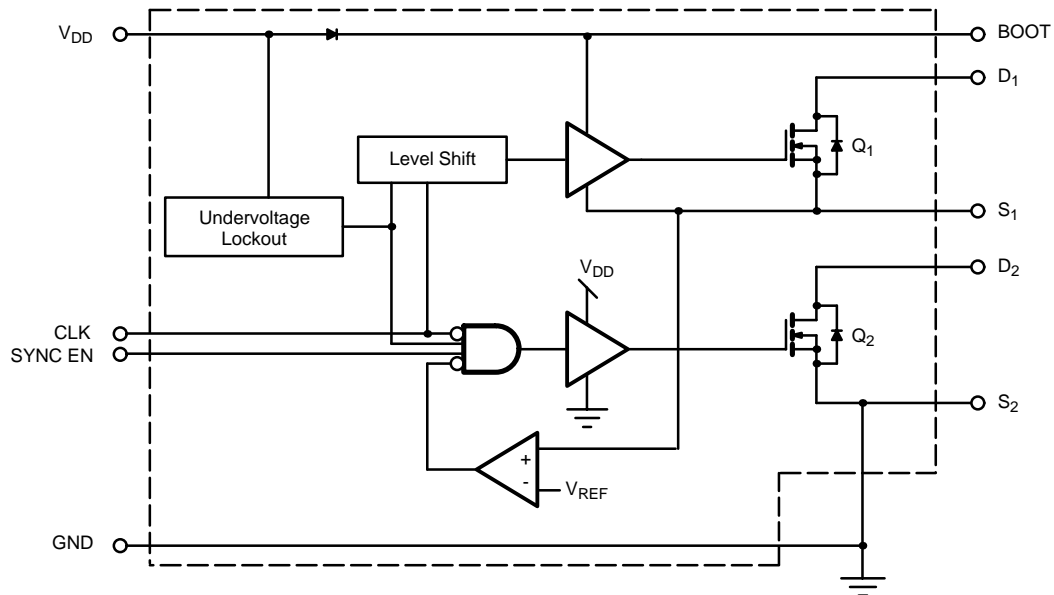
DESCRIPTION

The Si4732CY n-channel synchronous MOSFET with break-before-make (BBM) is a high speed driver designed to operate in high frequency dc-dc switch-mode power supplies. It's purpose is to simplify the use of n-channel MOSFETs in high frequency buck regulators. This device is designed to be

used with any single output PWM IC or ASIC to produce a highly efficient, low cost, synchronous rectifier converter.

The LITTLE FOOT *Plus*™ Drivers Si4732DY is packaged in Vishay-Siliconix's high-performance SO-16 package.

FUNCTIONAL BLOCK DIAGRAM



Order Number: **Si4732CY** (without tape and reel)
Si4732CY-T1 (with tape and reel)

ABSOLUTE MAXIMUM RATINGS ($T_A = 25^\circ\text{C}$ UNLESS OTHERWISE NOTED)				
Parameter		Symbol	Steady State	Unit
Logic Supply		V_{DD}	7	V
Logic Inputs		V_{IN}	-0.7 to $V_{DD} + 0.3$	
Drain Voltage		V_{D1}	30	
Bootstrap Voltage		V_{BOOT}	$V_{S1} + 7$	
Continuous Drain Current ($T_J = 150^\circ\text{C}$) ^a	$T_A = 25^\circ\text{C}$	I_{D1}	5.3	A
	$T_A = 70^\circ\text{C}$		4.25	
	$T_A = 25^\circ\text{C}$	I_{D2}	11	
	$T_A = 70^\circ\text{C}$		8.85	
Maximum Power Dissipation ^a		P_D	1.2	W
Operating Junction and Storage Temperature Range		Driver	-65 to 125	$^\circ\text{C}$
		MOSFETs	-65 to 150	

Stresses beyond those listed under "Absolute Maximum Ratings" may cause permanent damage to the device. These are stress ratings only, and functional operation of the device at these or any other conditions beyond those indicated in the operational sections of the specifications is not implied. Exposure to absolute maximum rating conditions for extended periods may affect device reliability.

RECOMMENDED OPERATING CONDITIONS				
Parameter		Symbol	Steady State	Unit
Drain Voltage		V_{D1}	0 to 30	V
Logic Supply		V_{DD}	4.5 to 5.5	
Input Logic High Voltage		V_{IH}	$0.6 \times V_{DD}$ to V_{DD}	
Input Logic Low Voltage		V_{IL}	-0.3 to $0.3 \times V_{DD}$	
Bootstrap Capacitor		C_{BOOT}	100 n to 1μ	F
Ambient Temperature		T_A	-40 to 85	$^\circ\text{C}$

THERMAL RESISTANCE RATINGS					
Parameter		Symbol	Typical	Maximum	Unit
High-Side Junction-to-Ambient ^a	Steady State	R_{thJA1}	85	105	$^\circ\text{C/W}$
Low-Side Junction-to-Ambient ^a		R_{thJA2}	68	85	
High-Side Junction-to-Foot (Drain) ^b		R_{thJF1}	26	33	
Low-Side Junction-to-Foot (Drain) ^b		R_{thJF2}	16	20	

Notes

- Surface mounted on 1" x 1" FR4 board, 0.062" thick, 2-oz copper double sided.
- Junction-to-foot thermal impedance represents the effective thermal impedance of all heat carrying leads in parallel and is intended for use in conjunction with the thermal impedance of the PC board pads to ambient ($R_{thJA} = R_{thJF} + R_{thPCB-A}$). It can also be used to estimate chip temperature if power dissipation and the lead temperature of a heat carrying (drain) lead is known.



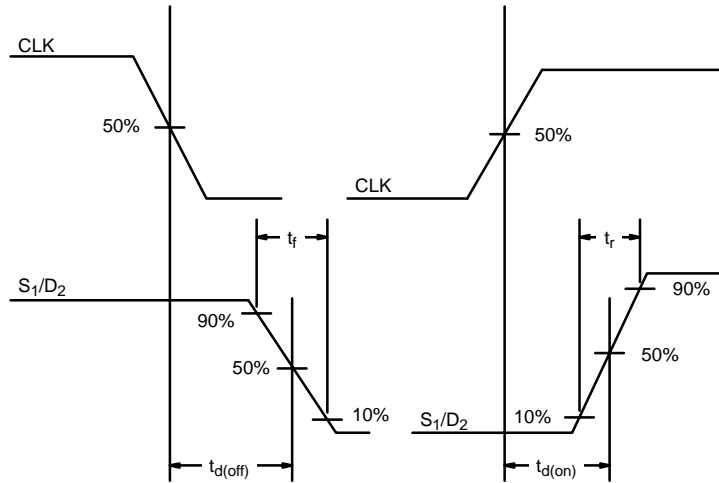
SPECIFICATIONS						
Parameter	Symbol	Test Conditions Unless Specified $T_A = 25^\circ\text{C}$ $4.5\text{ V} < V_{DD} < 5.5\text{ V}, 4.5\text{ V} < V_{D1} < 30\text{ V}$	Limits			Unit
			Min	Typ ^a	Max	
Power Supplies						
Logic Voltage	V_{DD}		4.5		5.5	V
Logic Current (Static)	$I_{DD(EN)}$	$V_{DD} = 4.5\text{ V}, V_{CLK}, SYNC = 4.5\text{ V}$		280	500	μA
	$I_{DD(DIS)}$	$V_{DD} = 4.5\text{ V}, V_{CLK}, SYNC = 0\text{ V}$		220	500	
Logic Current (Dynamic)	$I_{DD1(DYN)}$	$V_{DD} = 5\text{ V}, f_{clk} = 250\text{ kHz}$		20		mA
	$I_{DD2(DYN)}$	$V_{DD} = 5\text{ V}, f_{clk} = 1\text{ MHz}$		70		
Logic Input						
Logic Input Voltage—High ($V_{CLK}, SYNC$)	V_{HIGH}	$V_{DD} = 4.5\text{ V}$	2.7	2.3		V
Logic Input Voltage—Low ($V_{CLK}, SYNC$)	V_{LOW}		-0.3	2.25	0.8	
Protection						
Break-Before-Make Reference	V_{BBM}	$V_{DD} = 5.5\text{ V}$		2.4		V
Under-Voltage Lockout	V_{UVLO}	$V_{DD} = 4.5\text{ V}$	3.75	4	4.25	
Under-Voltage Lockout Hysteresis	V_H			0.4		
MOSFETs						
Drain-Source Voltage	V_{DS}	$I_D = 250\ \mu\text{A}$	30			V
Drain-Source On-State Resistance ^a	$r_{DS(on)1}$	$V_{DD} = 4.5\text{ V}, I_D = 10\text{ A}$ $T_A = 25^\circ\text{C}$	Q1	23	28	m Ω
	$r_{DS(on)2}$		Q2	5.5	8	
Diode Forward Voltage ^a	V_{SD1}	$I_S = 2\text{ A}, V_{GS} = 0\text{ V}$	Q1	0.7	1.1	V
	V_{SD2}		Q2	0.7	1.1	
Dynamic^b						
Driver CLK to S1/D2 Off Delay	$t_{d(off)}$	$f_s = 1\text{ MHz}, I_D = 10\text{ A}$ $V_{IN} = 12\text{ V}, V_{OUT} = 1.6\text{ V}$		34	60	ns
Driver CLK to S1/D2 Fall Time	t_f			2.8	10	
Driver CLK to S1/D2 On Delay	$t_{d(on)}$			81	150	
Driver CLK to S1/D2 Rise Time	t_r			18.4	40	
Source-Drain Reverse Recovery Time— Q_2	t_{rr}	$I_F 2.7\text{ A}, di/dt = 100\text{ A}/\mu\text{s}$		50	80	

Notes

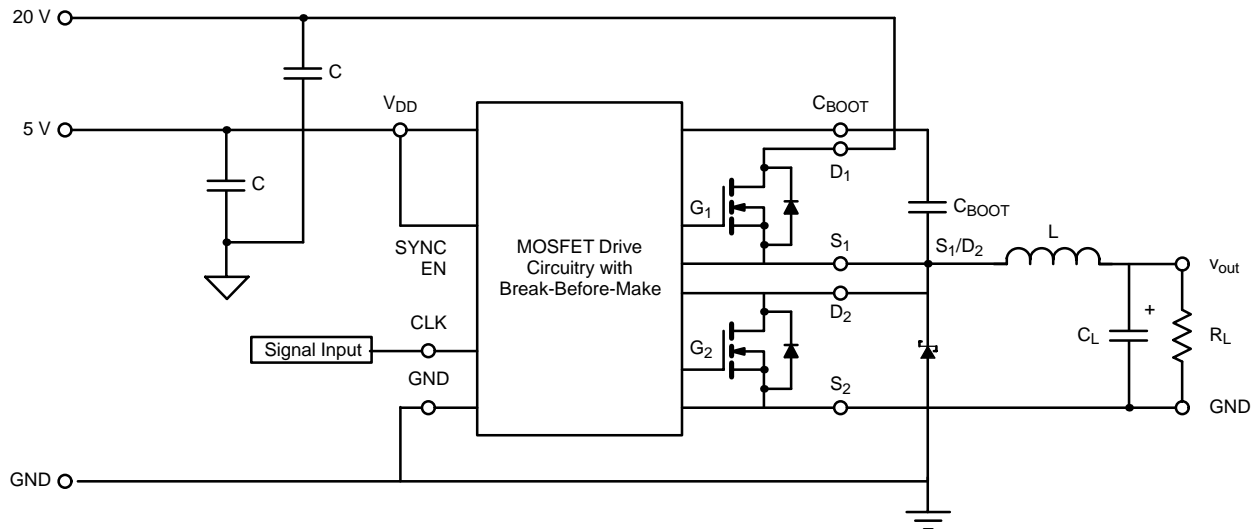
- a. Pulse test: pulse width $\leq 300\text{ ms}$, duty cycle $\leq 2\%$.
- b. Typical values are for DESIGN AID ONLY, not guaranteed nor subject to production testing.



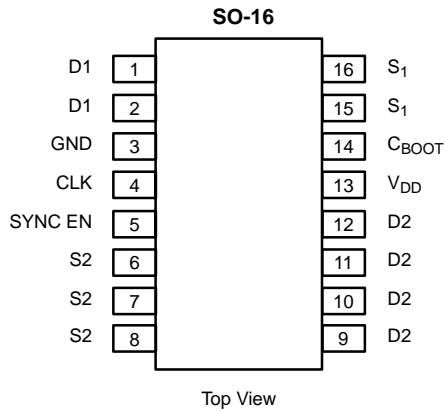
TIMING DIAGRAMS



SWITCHING TEST SET-UP



PIN CONFIGURATION



TRUTH TABLE			
Sync EN	CLK	Q ₁	Q ₂
H	H	ON	OFF
H	L	OFF	ON
L	H	ON	OFF
L	L	OFF	OFF

PIN DESCRIPTION		
Pin	Symbol	Description
1, 2	D ₁	High-Side MOSFET Drain
3	GND	Signal Ground
4	CLK	Input Logic Signal
5	SYNC EN	Synchronous Enable
6, 7, 8	S ₂	Low-Side MOSFET Source
9, 10, 11, 12	D ₂	Low-Side MOSFET Drain
13	V _{DD}	Logic Supply; Decoupling to GND (with a Dap is strongly recommended)
14	C _{BOOT}	Bootstrap Capacitor for Upper MOSFET
15, 16	S ₁	High-Side MOSFET Source

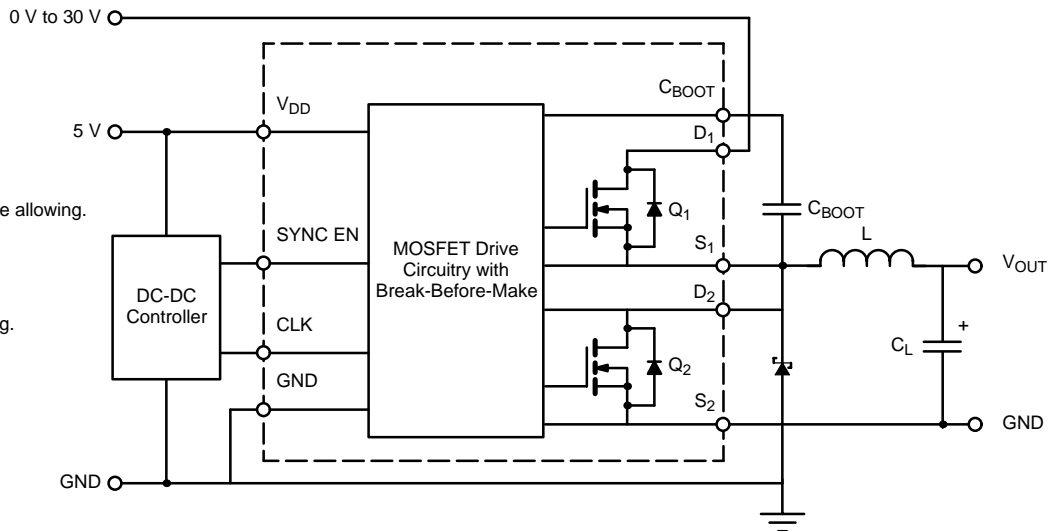
APPLICATION CIRCUIT

Power Up Sequence:

- 1 Ensure V_{DD} is within spec before allowing.
- 2 CLK to be set high.

Power Down Sequence:

- 1 Ensure CLK is low before turning.
- 2 Turn V_{DD} off.



DEVICE OPERATION

The Vishay Siliconix MOSFET plus driver product is optimized for dc-dc conversion in all aspects—driver design through MOSFET optimization. The integrated packaged allows the PCB designer to ignore the MOSFET driving current loops and focus on one board layout aspect—output current loop. It also allows for simplicity when adding additional phases to a system.

The MOSFET driver is designed to eliminate any shoot-through currents in the output MOSFET stage by integrating a break-before-make circuit topology. When the low-side MOSFET is to be turned on, there is an internal reference voltage, V_{BBM} , that the S_1 node needs to be below before the low-side MOSFET is turned on. When the high-side MOSFET is to be turned on, there is an optimized delay time (based on the MOSFET pair used) that will ensure that the low-side is turned off, and minimize the body diode conduction. In addition, the low impedance MOSFET drivers are optimized with the MOSFET gate impedance to help ensure an “off” state gate voltage during any shoot-through conditions when the high-side MOSFET is turned on.

The MOSFETs are designed to meet a specific set of conditions to provide the best performance possible. These requirements are as follows.

1. The size of the MOSFET is selected to provide a good compromise between power dissipation and size.
2. The high-side MOSFET is designed to minimize the $r_{DS(on)} \cdot Q_g$ figure-of-merit and to have a low R_g for short switching times.
3. The low-side MOSFET is designed to have the optimum $r_{DS(on)}$, low R_g for short switching times, and low Q_{gd}/Q_{gs} ratio to eliminate shoot-through conditions.

Switch Timing

The Si4732CY has a built-in delay time that is optimized for the MOSFET pair. When the CLK signal goes low, the high-side driver will turn off, and the output will start to ramp down, t_f . After a total delay, $t_{d(off)}$, the low-side driver turns on to provide the synchronous rectification.

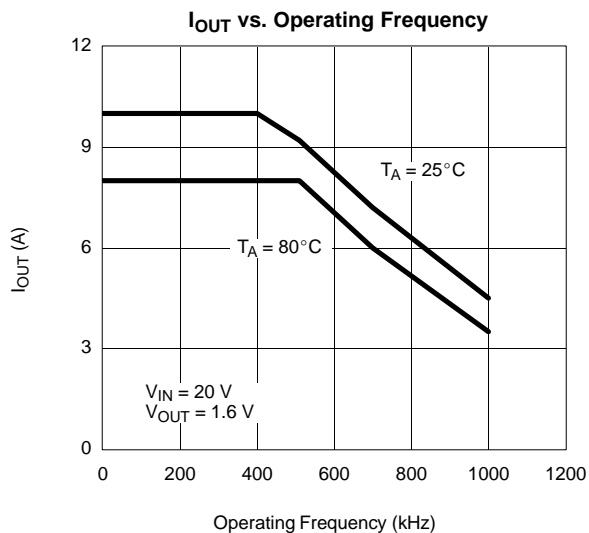
When the CLK goes high, the low-side driver turns off; as the body diode starts to conduct, the high-side MOSFET turns on after a total delay, $t_{d(on)}$. The output then ramps up, t_r .

TYPICAL CHARACTERISTICS (25°C UNLESS NOTED)

Representative Safe Operating Curve

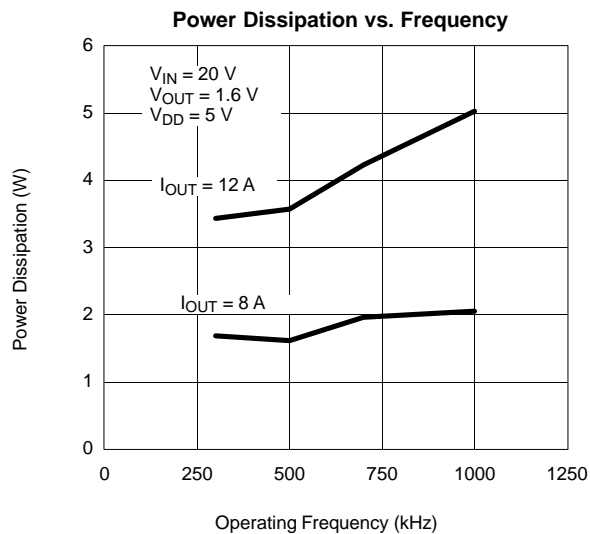
The following guidelines are meant to allow the designer the quickest and simplest method to working with the Vishay Siliconix MOSFET plus driver products.

1. The Si4732CY has a limited maximum output current capability, depending on the frequency, duty cycle and ambient temperature. The following graph shows the limitation

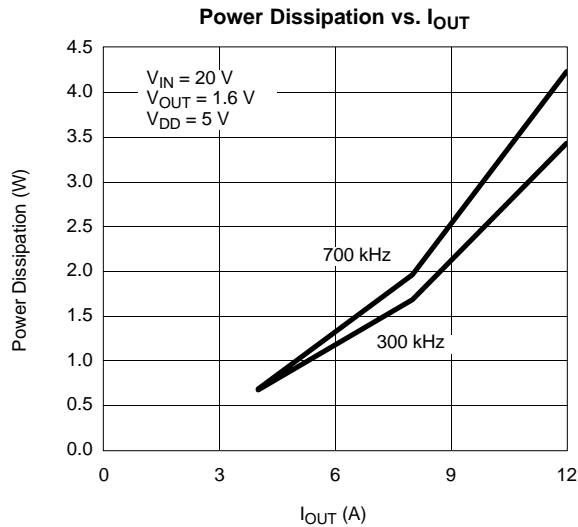


Typical Performance

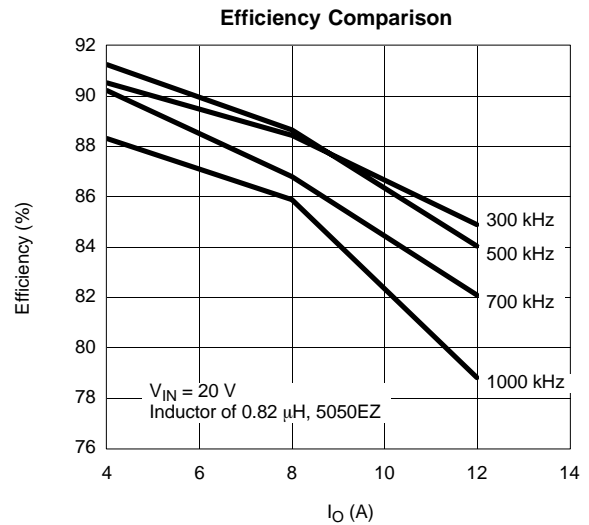
2. The following chart shows experimental results based on a specific set of operating conditions.



TYPICAL CHARACTERISTICS (25°C UNLESS NOTED)



When all of these factors are put together, a set of efficiency curves are developed as shown. This experimental result is based on a spreading copper area on the board of one and a half square inches.



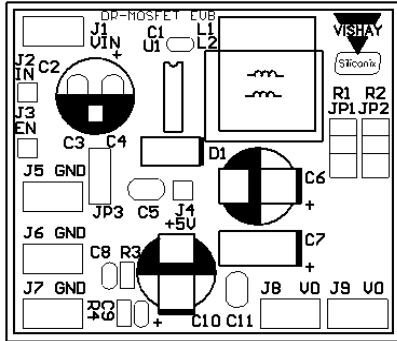
- The dissipation of the heat generated by the MOSFET plus driver product is highly dependent on the board thermal impedance and the R_{thJF} of the SO-16 package.

BOARD DESIGN GUIDELINES

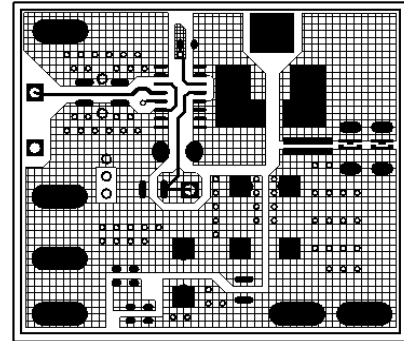
The performance characteristics shown above was done using a board that follows a suggested layout of the device and surrounding components. The basic design rules are as follows.

- Minimize the distance of the V_{DD} capacitor to the V_{DD} pins and ground.
- Place the output inductor close to the S_1 and D_2 pads. Using a large copper area around these pads help improve the thermal performance. Adding thermal vias to help dissipate the heat also improves performance.
- Use a large copper area for the D_1 and S_2 pads. Again, using thermal vias in this area will help the thermal performance.

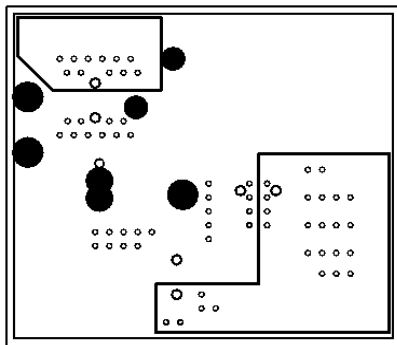
BOARD LAYOUT



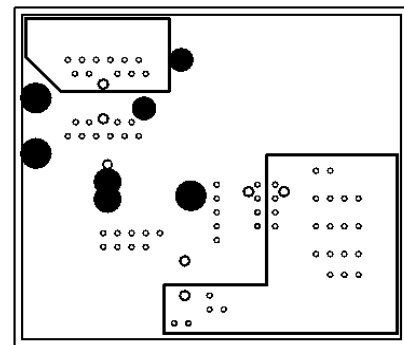
Top Layer Overlay



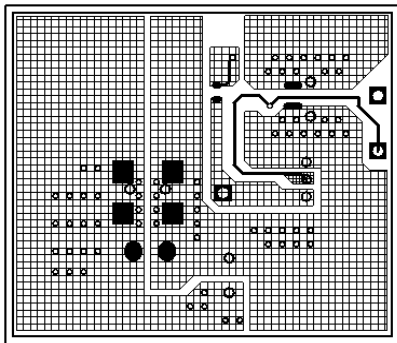
Top Layer



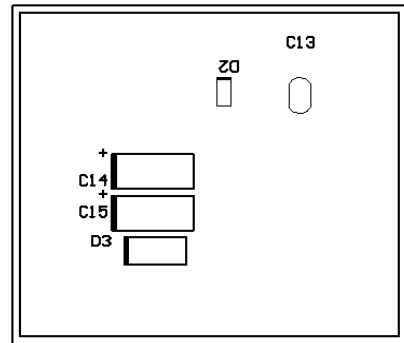
Internal Plane 1



Internal Plane 2



Bottom Layer



Bottom Layer Overlay