

PLEASE CHECK WWW.MOLEX.COM FOR LATEST PART INFORMATION

Part Number: [0494380417](#)
Status: **Active**
Description: Cartridge Pad Connector on Embossed Tape and Reel

Documents:

[3D Model](#) [Product Specification PS-49440-001 \(PDF\)](#)
[Drawing \(PDF\)](#) [RoHS Certificate of Compliance \(PDF\)](#)

General

Product Family	PCB Headers
Series	49438
Application	Wire-to-Board
Product Name	N/A

Physical

Breakaway	No
Circuits (Loaded)	4
Circuits (maximum)	4
Color - Resin	Black
Durability (mating cycles max)	5,000
First Mate / Last Break	No
Glow-Wire Compliant	No
Guide to Mating Part	No
Keying to Mating Part	None
Lock to Mating Part	No
Material - Plating Mating	Gold
Material - Plating Termination	Gold
Material - Resin	High Temperature Thermoplastic
Number of Rows	2
Orientation	Vertical
PCB Locator	Yes
PCB Retention	Yes
Packaging Type	Embossed Tape on Reel
Pitch - Mating Interface (in)	0.250 In
Pitch - Mating Interface (mm)	6.35 mm
Pitch - Term. Interface (in)	0.197 In
Pitch - Term. Interface (mm)	5.00 mm
Plating min: Mating (µin)	1.200
Plating min: Mating (µm)	0.03
Plating min: Termination (µin)	1.200
Plating min: Termination (µm)	0.03
Polarized to Mating Part	No
Polarized to PCB	No
Shrouded	No
Stackable	No
Surface Mount Compatible (SMC)	No
Temperature Range - Operating	-40°C to +85°C
Termination Interface: Style	Surface Mount

Electrical

Current - Maximum per Contact	2A
Voltage - Maximum	125V AC (RMS)

Material Info

Reference - Drawing Numbers

Product Specification	PS-49440-001
-----------------------	--------------

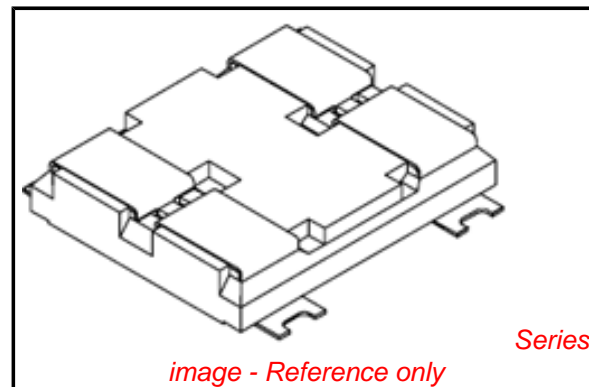


image - Reference only

EU RoHS

**ELV and RoHS
Compliant**
REACH SVHC
 Not Reviewed
**Halogen-Free
Status**

China RoHS



**Need more information on product
environmental compliance?**

Email productcompliance@molex.com
 For a multiple part number RoHS Certificate of
 Compliance, [click here](#)

Please visit the [Contact Us](#) section for any
 non-product compliance questions.

Search Parts in this Series

[49438Series](#)

This document was generated on 04/21/2010

PLEASE CHECK WWW.MOLEX.COM FOR LATEST PART INFORMATION

DWG. NO.

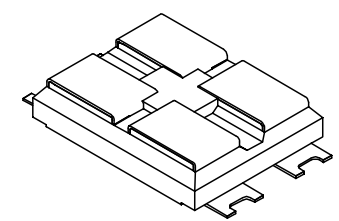
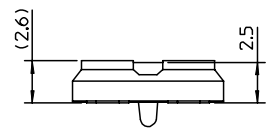
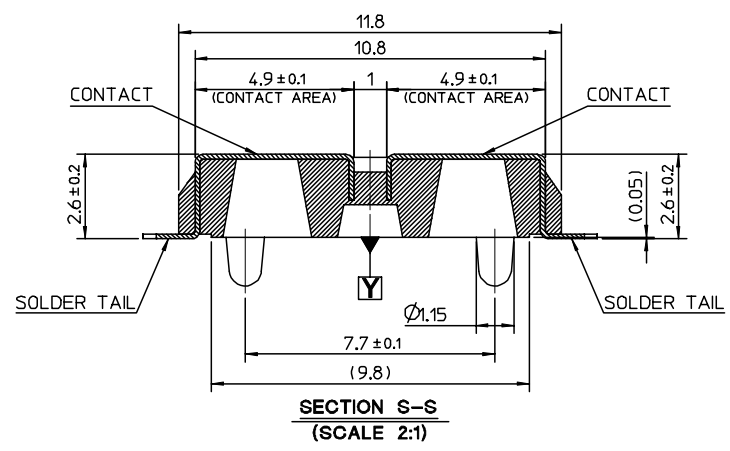
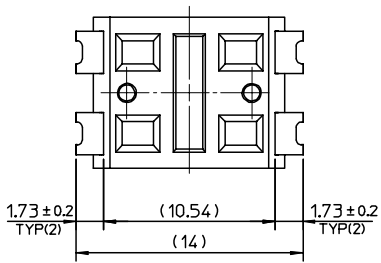
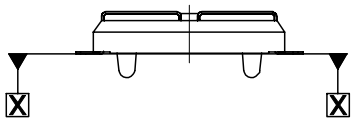
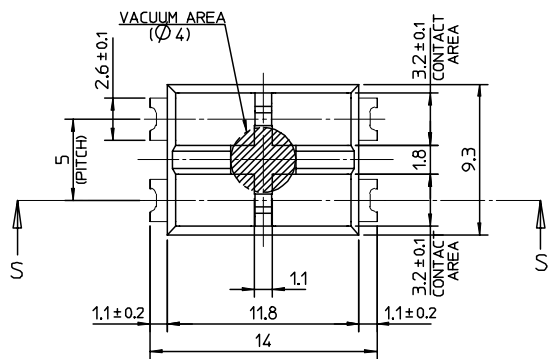
SIMILAR ITEM

PROJECT NO.

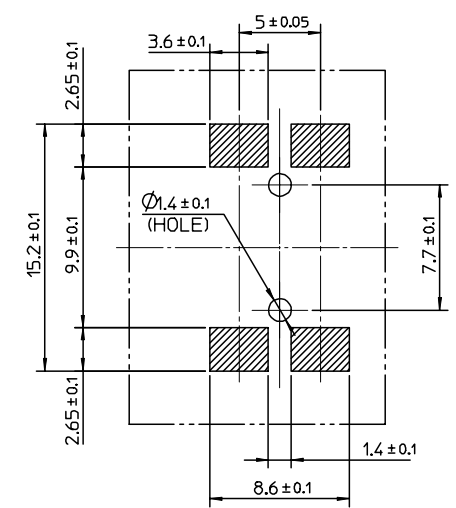
C

B

DO NOT SCALE DRAWING
DIMENSION IN METRIC



ISOMETRIC VIEW



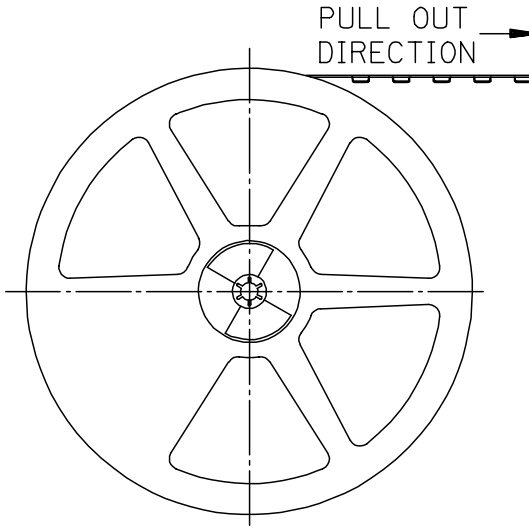
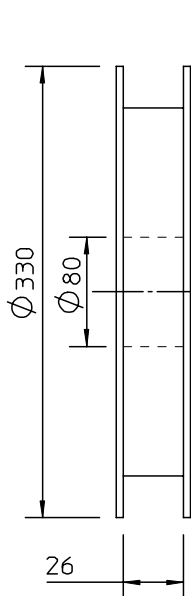
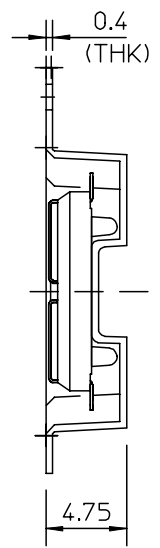
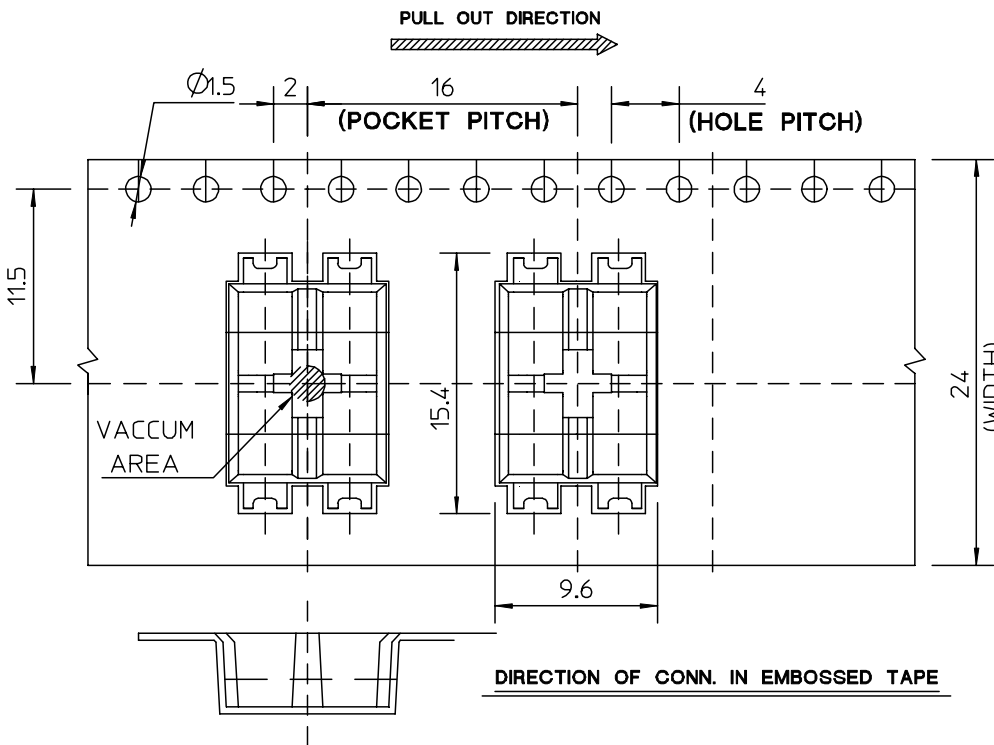
P.C.B PATTERN LAYOUT

[NOTE]

- MATERIAL : POLYAMIDE(PA46), 40% GLASS FILLED, UL 94V-0, COLOR : BLACK
- FINISH : Au 0.03~0.08um OVER Ni 1.27um MIN.
- FLASH IN ANY PORTION TO BE LESS THEN 0.20mm MAX.
- ALIGNMENT TOLERANCE OF SOLDER TAIL FROM Y
 - UPPER DIRECTION : 0.05mm MAX.
 - LOWER DIRECTION : 0.20mm MAX.
 - COPLANARITY OF SOLDER TAIL TO BE LESS THEN 0.15mm MAX. FROM X
- MATES WITH : 49440-0211
- PRODUCT SPECIFICATION : PS-49440-001

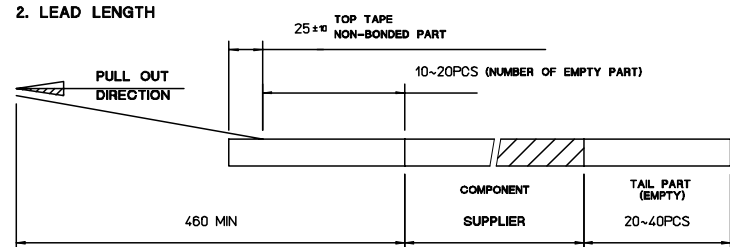
NEW RELEASE ECN NO.: KOR2007-0063 DRWN: JHLEE 2006/12/08 CHK: KS.KIM 2006/12/08 APPR: YSoo.KIM 2006/12/08	QUALITY SYMBOLS MAJOR = CRITICAL = C =	GENERAL TOLERANCES: (UNLESS SPECIFIED)		SCALE 1:1	DESIGN UNITS <input checked="" type="checkbox"/> mm <input type="checkbox"/> INCH	THIRD ANGLE PROJECTION <input type="checkbox"/> mm <input type="checkbox"/> INCH <input checked="" type="checkbox"/> mm ONLY	TITLE: PRINTER CARTRIDGE CONNECTOR PAD ASS'Y (GOGH)	
		4 PLACES ±0.	±	DRAWN BY & DATE JHLEE 2006/05/18			MATERIAL NO. 49438-0411	
		3 PLACES ±0.	±	CHECKED BY & DATE KS.KIM 2006/05/18		ENG NO.		
		2 PLACES ±0.	±	APPROVED BY & DATE YSoo.KIM 2006/05/18		SHT REV		
A	REV	1 PLACE ±0.3	±	CAD FILENAME SD49438.S01		MOLEX INCORPORATED		REVISION ON CAD ONLY
DRAFT WHERE APPLICABLE MUST REMAIN WITHIN DIMENSIONS		ANGULAR: ± 1 °		MATERIAL NO. SEE TABLE		DRAWING NO. SD-49438-001		SHEET NO. 1 OF 2
THIS DRAWING CONTAINS INFORMATION THAT IS PROPRIETARY TO MOLEX INCORPORATED AND SHOULD NOT BE USED WITHOUT WRITTEN PERMISSION.								SIZE B

LEAD FREE



PLASTIC EMBOSS REEL

- NOTES**
 1. QUANTITY OF CONNECTORS : 900PCS/REEL
 2. LEAD LENGTH



3. PEELING OFF FORCE OF COVER TAPE : 0.1N~0.59N(10.2GF~60GF)
 (PEELING DIRECTION AS SHOW IN FOLLOW FIG.)
 PEELING OFF SPEED : 300mm/Min.(Ref.)



56mm	49438-0411	494380417	49438-0417
TAPE WIDTH	CONNECTOR	MATERIAL NO.	ENG. NO.

DWG. NO.
SIMILAR ITEM
PROJECT NO.

DO NOT SCALE DRAWING
DIMENSION IN METRIC

NEW RELEASE ECN NO. : KOR2007-0063 DRWN:J.H.LEE 2006/12/08 CHK:K.S.KIM 2006/12/08 APPR:Y.Soo.KIM 2006/12/08	QUALITY SYMBOLS MAJOR CRITICAL	DESCRIPTION C
A	REV	

GENERAL TOLERANCES: (UNLESS SPECIFIED)	SCALE	DESIGN UNITS																							
<table border="1"> <tr> <td></td> <td>mm</td> <td>INCH</td> </tr> <tr> <td>4 PLACES</td> <td>±0.</td> <td>±</td> </tr> <tr> <td>3 PLACES</td> <td>±0.</td> <td>±</td> </tr> <tr> <td>2 PLACES</td> <td>±0.15</td> <td>±</td> </tr> <tr> <td>1 PLACE</td> <td>±0.1</td> <td>±</td> </tr> </table>		mm	INCH	4 PLACES	±0.	±	3 PLACES	±0.	±	2 PLACES	±0.15	±	1 PLACE	±0.1	±	<table border="1"> <tr> <td>mm</td> <td>INCH</td> </tr> <tr> <td><input checked="" type="checkbox"/></td> <td><input type="checkbox"/></td> </tr> </table>	mm	INCH	<input checked="" type="checkbox"/>	<input type="checkbox"/>	<table border="1"> <tr> <td>THIRD ANGLE</td> <td>PROJECTION</td> </tr> <tr> <td><input checked="" type="checkbox"/></td> <td><input type="checkbox"/></td> </tr> </table>	THIRD ANGLE	PROJECTION	<input checked="" type="checkbox"/>	<input type="checkbox"/>
	mm	INCH																							
4 PLACES	±0.	±																							
3 PLACES	±0.	±																							
2 PLACES	±0.15	±																							
1 PLACE	±0.1	±																							
mm	INCH																								
<input checked="" type="checkbox"/>	<input type="checkbox"/>																								
THIRD ANGLE	PROJECTION																								
<input checked="" type="checkbox"/>	<input type="checkbox"/>																								
<table border="1"> <tr> <td>ANGULAR: ± 1</td> <td>°</td> </tr> </table>	ANGULAR: ± 1	°	DRAWN BY & DATE J.H.Lee 06/06/16																						
ANGULAR: ± 1	°																								
DRAFT WHERE APPLICABLE MUST REMAIN WITHIN DIMENSIONS	CHECKED BY & DATE K.S.Kim 06/06/16																								
	APPROVED BY & DATE Y.Soo.Kim 06/06/16																								
THIS DRAWING CONTAINS INFORMATION THAT IS PROPRIETARY TO MOLEX INCORPORATED AND SHOULD NOT BE USED WITHOUT WRITTEN PERMISSION.	CAD FILENAME SD49438.S02	TITLE: CARTRIDGE PAD CONN(GOGH). EMBOSSED PACKING																							
	MATERIAL NO. SEE TABLE	DRAWING NO. SD-49438-001																							

DIMENSIONS: <input type="checkbox"/> mm <input type="checkbox"/> INCH <input checked="" type="checkbox"/> mm ONLY		SHT	REV
REVISE ON CAD ONLY			
MOLEX INCORPORATED			
SHEET NO. 2 OF 2		SIZE B	