

O/E/N 35HT

HEAVY DUTY AUTOMOTIVE POWER RELAY

FEATURES

- Direct PCB Mountable
- High Performance
- Heavy Duty
- Extra Braided Wire

APPLICATION

- Glow Plug Timer
- Heating Elements

TECHNICAL DATA FOR CONTACT SIDE :

Areas of Application

Contact Configuration :
Contact Material :

Contact Rating

Continuous :

Switching :

Mechanical Life Operations Min. :
Contact Voltage Drop at 10 A (Min) :
Maximum Switching Current @ 12.8 VDC For 3 Sec. :

RESISTIVE / INDUCTIVE LOADS

1A
Silver Alloy

1) 50A Glow plug Load@12VDC
(Coil voltage = 13.2VDC@85°C) for 500Hrs.
2) 70A glow plug load@12 VDC
(Coil voltage = 13.2 VDC@23°C) for 500Hrs.
70A @13.5 VDC (Glow Plug Load) for 50000 cycles with
1 Sec ON, 35 Sec. OFF

1 x 10⁶
50mV

300 A - On / 70 A - Off (Make & Break Ratio of 1:10)

www.DataSheet4U.com

GENERAL DATA FOR COIL SIDE

Nominal Coil Power : 1.6W (Approx)
Operating Power : 0.9W (Approx)
Operate Time* : 5 milli Seconds
Release Time* : 3 milli Seconds

* At nominal voltage without coil suppression (excluding bounce)

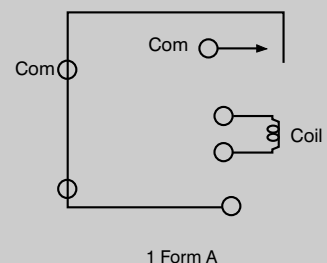
OPERATING CONDITIONS

Ambient Temperature : -40°C to +85°C
Maximum Temperature : 155°C
Dielectric Strength : 500VRMS
Insulation Resistance : 100 Meg. Ohms Min. At 500 VDC, 25°C RH 50

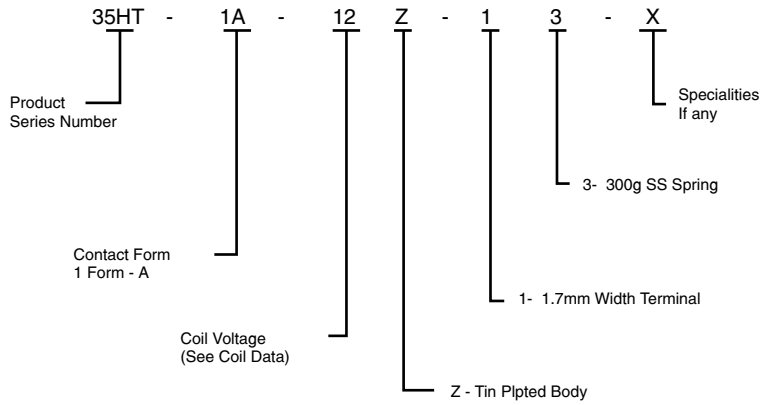
Vibration Resistance (without change in the switching state > 10μS) : 10-200Hz 20g - 40g

Shock Resistance (without change in the switching state > 10μS) : 30g, 11mS

CIRCUIT DIAGRAM



HOW TO ORDER

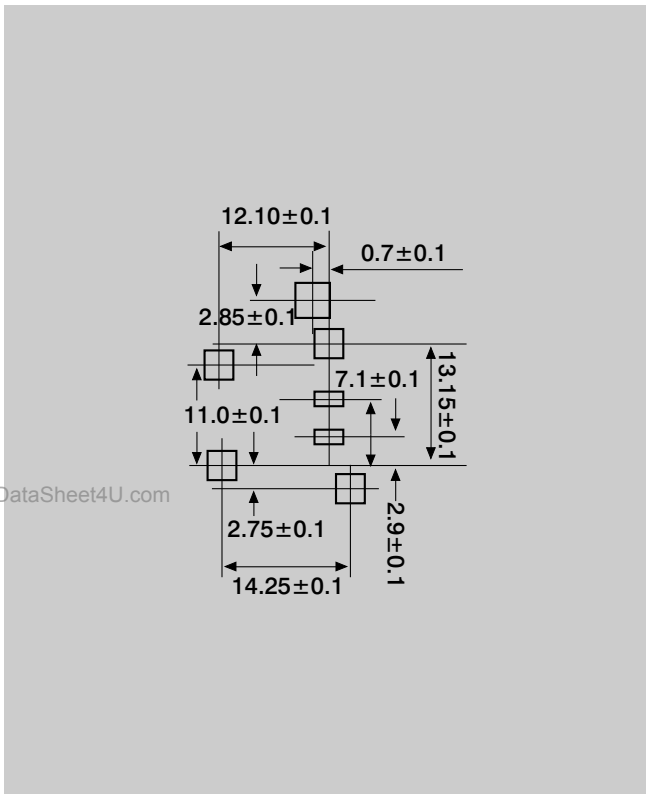


COIL DATA

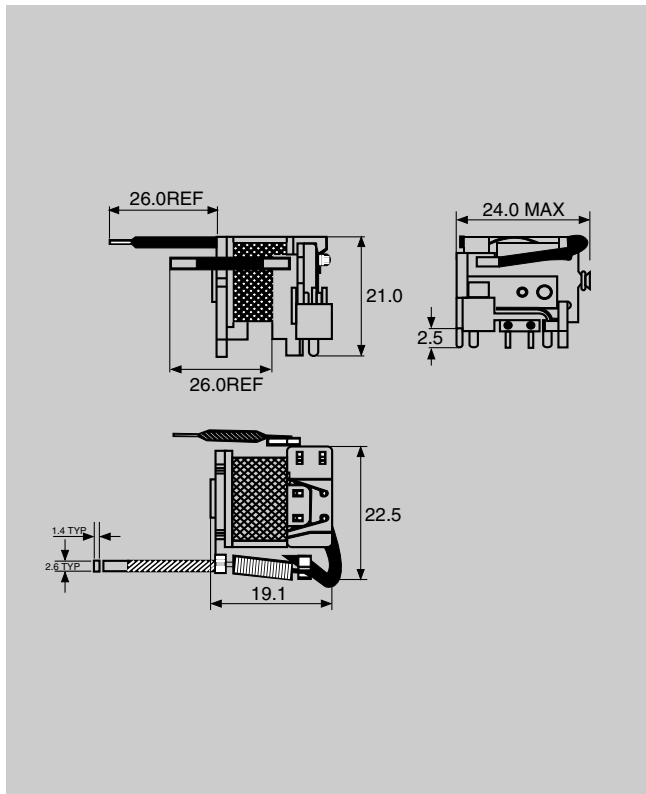
Nominal Voltage VDC	**Pick-up Voltage VDC (Max)	Coil Resistance at 20°C Ohms ± 10%
12	7.2	64

**Lower pick-up Voltages available on request

DRILLING PATTERN



DIMENSIONS



AVAILABLE ON REQUEST

- Special coil resistance & pick-up
- For other custom solutions consult factory