

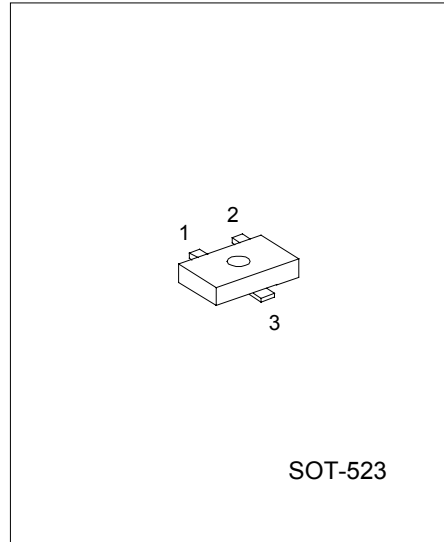
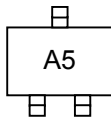
UTC 2SA1774 PNP EPITAXIAL SILICON TRANSISTOR

GENERAL PURPOSE TRANSISTOR

FEATURES

- * Excellent h_{FE} linearity
- * Complements the UTC 2SC4617

MARKING



SOT-523

1: EMITTER 2: BASE 3: COLLECTOR

ABSOLUTE MAXIMUM RATINGS (Ta=25°C)

PARAMETER	SYMBOL	RATINGS	UNIT
Collector-Base Voltage	V_{CBO}	-60	V
Collector-Emitter Voltage	V_{CEO}	-50	V
Emitter-Base Voltage	V_{EBO}	-6	V
Collector Current	I_C	-0.15	A
Collector Power Dissipation	P_C	0.15	W
Junction Temperature	T_j	150	°C
Storage Temperature Range	T_{stg}	-55 ~ +150	°C

ELECTRICAL CHARACTERISTICS (Ta=25°C, unless otherwise specified.)

PARAMETER	SYMBOL	TEST CONDITIONS	MIN	TYP	MAX	UNIT
Collector-Base Breakdown Voltage	BV_{CBO}	$I_C = -50\mu A$	-60			V
Collector-Emitter Breakdown Voltage	BV_{CEO}	$I_C = -1mA$	-50			V
Emitter-Base Breakdown Voltage	BV_{EBO}	$I_E = -50\mu A$	-6			V
Collector Cutoff Current	I_{CBO}	$V_{CB} = -60V$			-0.1	μA
Emitter Cutoff Current	I_{EBO}	$V_{EB} = -6V$			-0.1	μA
DC Current Transfer Ratio	h_{FE}	$V_{CE} = -6V, I_C = -1mA$	120		560	
Collector-Emitter Saturation Voltage	$V_{CE(sat)}$	$I_C = -50mA, I_B = -5mA$			-0.5	V
Transition Frequency	f_T	$V_{CE} = -12V, I_E = 2mA, f = 100MHz$		140		MHz
Output Capacitance	C_{ob}	$V_{CB} = -12V, I_E = 0A, f = 1MHz$		4.0	5.0	pF

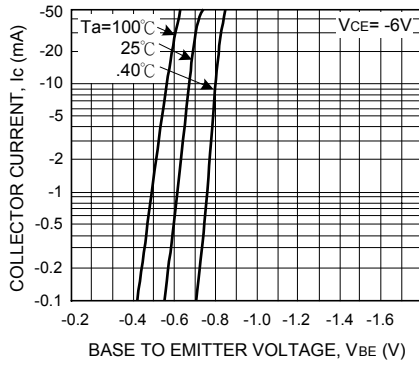
CLASSIFICATION OF HFE1

RANK	Q	R	S
Range	120 ~ 270	180 ~ 390	270 ~ 560

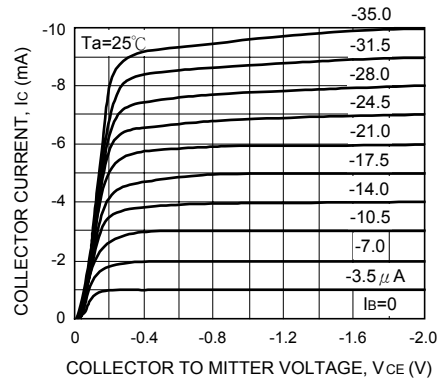
UTC2SA1774 PNP EPITAXIAL SILICON TRANSISTOR

ELECTRICAL CHARACTERISTICS CURVES

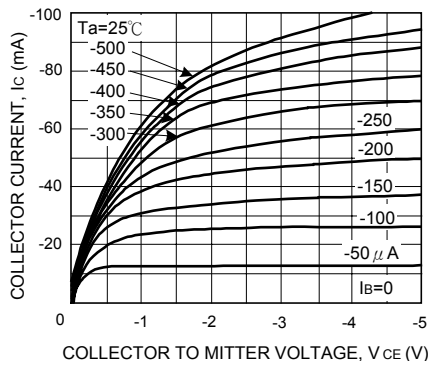
Grounded emitter propagation characteristics



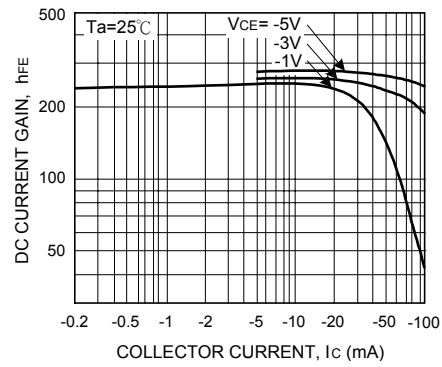
Grounded emitter output characteristics (I)



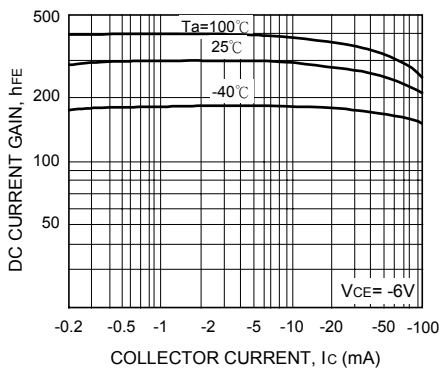
Grounded emitter output characteristics (II)



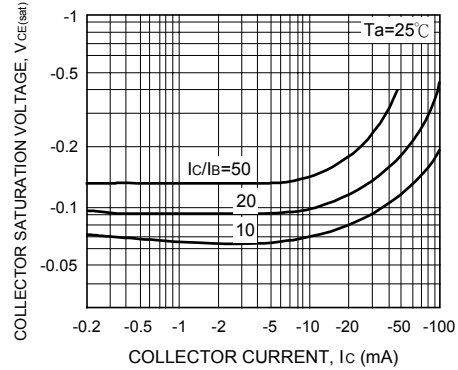
DC current gain vs. collector current (I)



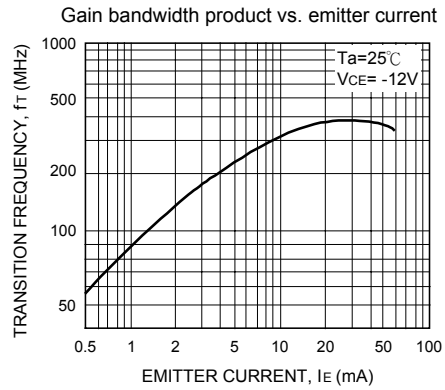
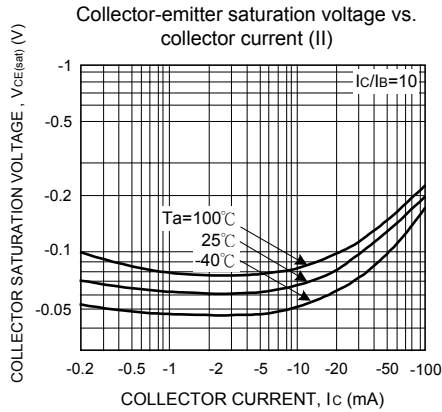
DC current gain vs. collector current (II)



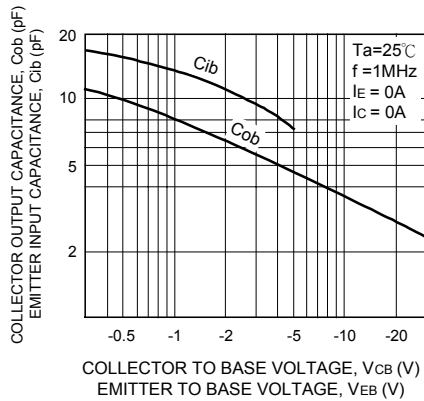
Collector-emitter saturation voltage vs. collector current (I)



UTC 2SA1774 PNP EPITAXIAL SILICON TRANSISTOR



Collector output capacitance vs. collector-base voltage
 Emitter input capacitance vs. emitter-base voltage



UTC assumes no responsibility for equipment failures that result from using products at values that exceed, even momentarily, rated values (such as maximum ratings, operating condition ranges, or other parameters) listed in products specifications of any and all UTC products described or contained herein. UTC products are not designed for use in life support appliances, devices or systems where malfunction of these products can be reasonably expected to result in personal injury. Reproduction in whole or in part is prohibited without the prior written consent of the copyright owner. The information presented in this document does not form part of any quotation or contract, is believed to be accurate and reliable and may be changed without notice.