

PLEASE CHECK WWW.MOLEX.COM FOR LATEST PART INFORMATION

Part Number: [0472490005](#)
Status: **Active**
Description: Cover for Mobile Phone Camera Socket, 8x8, Top Mount, Side Contact Type, Stainless Steel, Lead free

Documents:

[3D Model](#) [RoHS Certificate of Compliance \(PDF\)](#)
[Drawing \(PDF\)](#)

General

Product Family	Other Sockets
Series	47249
Component Type	Cover
Product Name	Camera Socket Cover

Physical

Circuits (Loaded)	0
Circuits (maximum)	0
Durability (mating cycles max)	Contact Molex
Entry Angle	Bottom Entry
Keying to Mating Part	N/A
Material - Metal	Stainless Steel
Material - Plating Mating	Unplated
Material - Plating Termination	Unplated
PCB Locator	No
PCB Retention	N/A
Packaging Type	Tray
Pitch - Mating Interface (in)	0.000 In
Pitch - Mating Interface (mm)	0.00 mm
Pitch - Term. Interface (in)	0.000 In
Pitch - Term. Interface (mm)	0.00 mm

Electrical

Current - Maximum per Contact	N/A
Voltage - Maximum	N/A

Material Info

Reference - Drawing Numbers

Sales Drawing	SD-47249-002
---------------	--------------

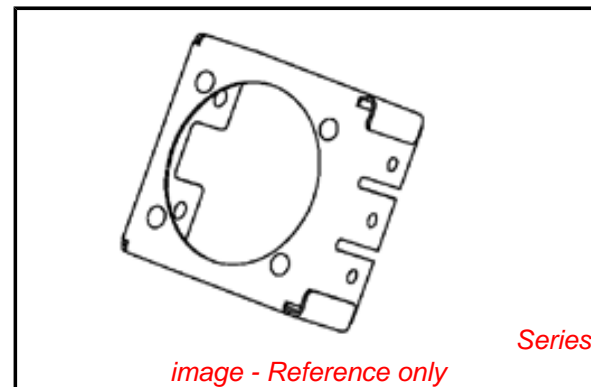


image - Reference only

EU RoHS

**ELV and RoHS
Compliant**
**REACH SVHC
Contains SVHC: No**
**Halogen-Free
Status**

China RoHS



**Need more information on product
environmental compliance?**

Email productcompliance@molex.com
 For a multiple part number RoHS Certificate of Compliance, [click here](#)

Please visit the [Contact Us](#) section for any non-product compliance questions.

Search Parts in this Series

[47249Series](#)

Use With

[47249-0001](#) Camera Socket

PLEASE CHECK WWW.MOLEX.COM FOR LATEST PART INFORMATION

10 9 8 7 6 5 4 3 2 1

F

E

D

C

B

A

F

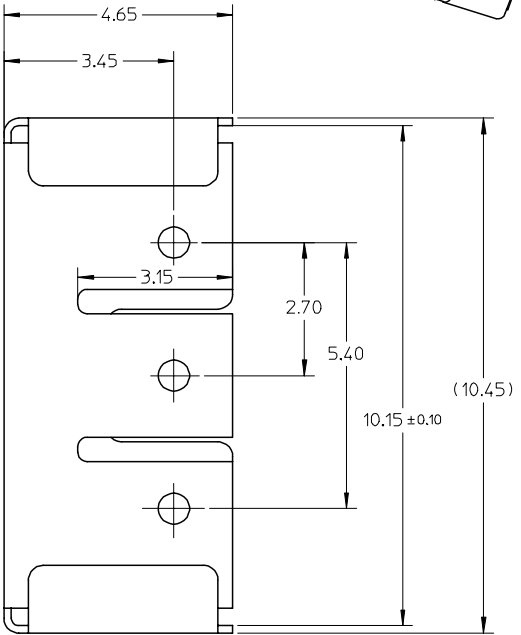
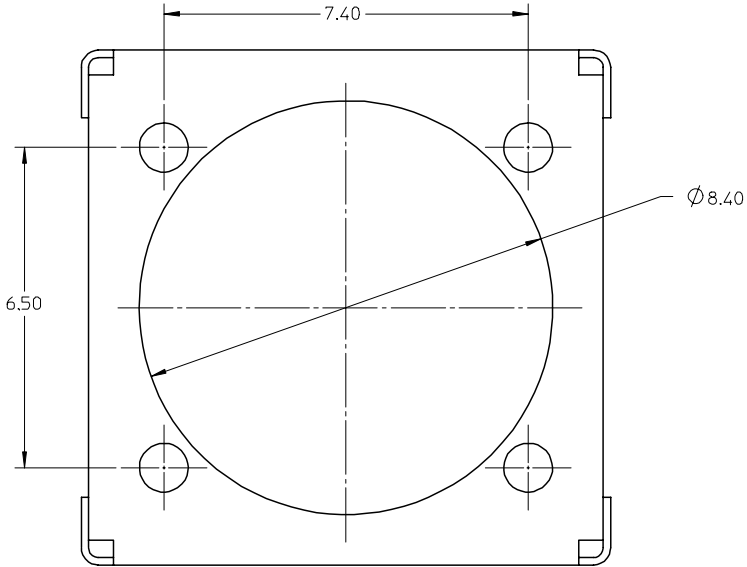
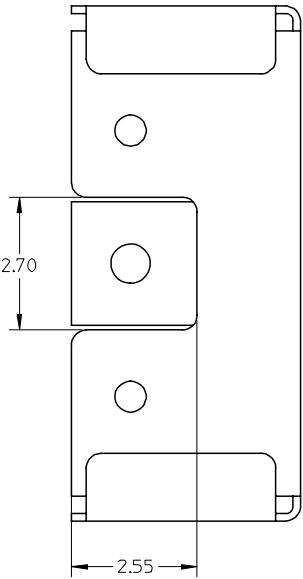
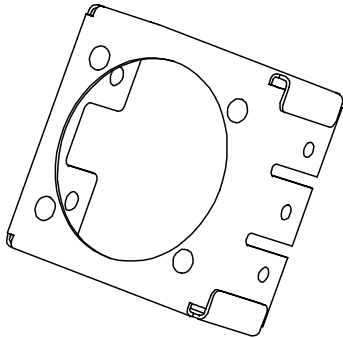
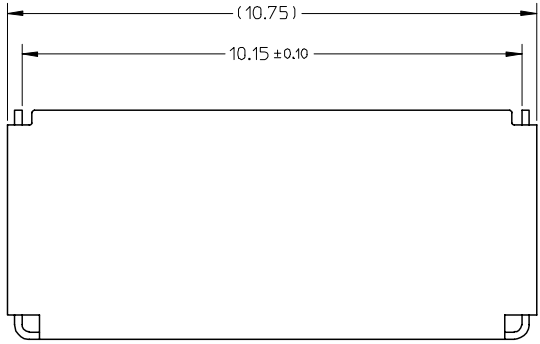
E

D

C

B

A



NOTES:
 1. MATERIAL: STAINLESS STEEL.
 2. FINISH: NONPLATED.

RELEASE	2006/06/16
EC NO:	2006/06/23
DRWN: IHE	2006/06/26
CHKD: XIXU	
APPR: JNCHEN	
REV	DESCRIPTION
A	

QUALITY SYMBOLS	▽=0
	∇=0

GENERAL TOLERANCES (UNLESS SPECIFIED)		
	mm	INCH
4 PLACES	± ---	± ---
3 PLACES	± ---	± ---
2 PLACES	± 0.05	± ---
1 PLACE	± 0.10	± ---
ANGULAR ± 1 °		
DRAFT WHERE APPLICABLE MUST REMAIN WITHIN DIMENSIONS		

DIMENSION STYLE		SCALE	DESIGN UNITS	THIRD ANGLE PROJECTION
MM ONLY		10:1	METRIC	
DRAWN BY	DATE	TITLE		
IVAN HE	2006/06/16	8*8 CAMERA SOCKET SMT. SIDE CONTACT TYPE TOP MOUNT		
CHECKED BY	DATE	MOLEX INCORPORATED		
XIXU	2006/06/16			
APPROVED BY	DATE	DOCUMENT NO.		
YJWU	2005/06/16	SD-47249-002		
MATERIAL NO.	472490005	SHEET NO.		
		1 OF 1		
SIZE	A3	THIS DRAWING CONTAINS INFORMATION THAT IS PROPRIETARY TO MOLEX INCORPORATED AND SHOULD NOT BE USED WITHOUT WRITTEN PERMISSION		

9 8 7 6 5 4 3 2 1