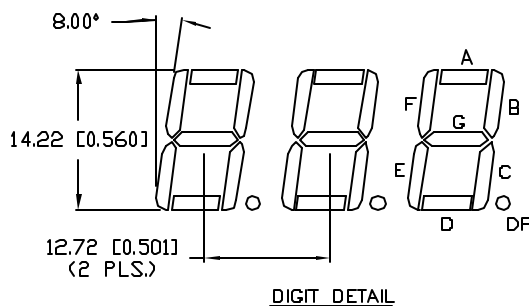
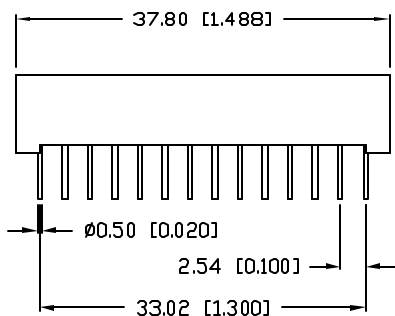
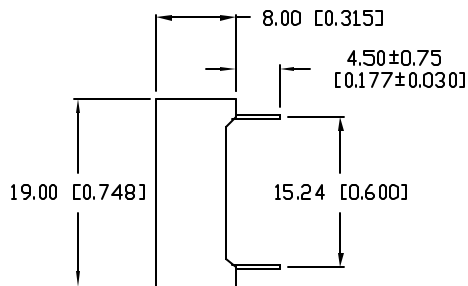
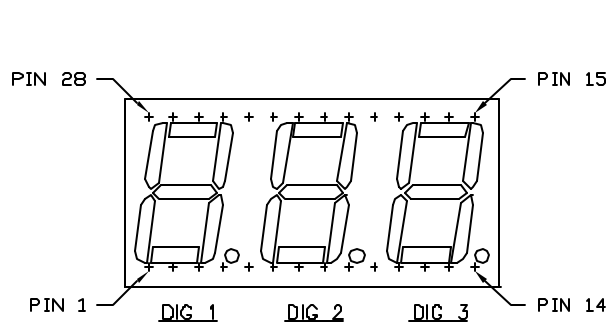


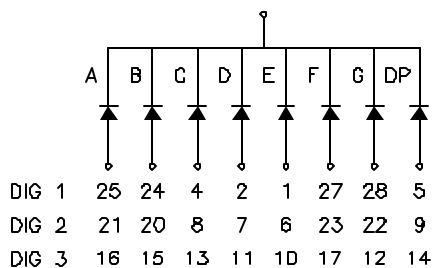
|         |                             |     |
|---------|-----------------------------|-----|
| DATE    | REVISIONS                   | REV |
| 2-16-98 | E.C.N. #10BRDR. & REDRAWN./ | A   |

|                |     |
|----------------|-----|
| DRAWING NUMBER | REV |
| LDT-C514RI     | A   |



**COMMON CATHODE**

DIG 1: PIN 3,26  
 DIG 2: PIN 19  
 DIG 3: PIN 18



UNLESS OTHERWISE SPECIFIED TOLERANCE IS ±.25mm (±0.010")

**ELECTRO-OPTICAL CHARACTERISTICS  $T_A = 25^\circ C$   $I_f = 10mA$**

| PARAMETER       | MIN                  | TYP       | MAX | UNITS    | TEST COND        |
|-----------------|----------------------|-----------|-----|----------|------------------|
| PEAK WAVELENGTH |                      | 635 (RED) |     | nm       |                  |
| FORWARD VOLTAGE |                      | 2.0       | 2.5 | $V_f$    |                  |
| REVERSE VOLTAGE | 5.0                  |           |     | $V_r$    | $I_f = 100\mu A$ |
| AXIAL INTENSITY |                      | 5800      |     | $\mu cd$ | $I_f = 10mA$     |
| EMITTED COLOR:  | RED                  |           |     |          |                  |
| FONT COLOR:     | GREY                 |           |     |          |                  |
| SEGMENT COLOR:  | MILKY WHITE DIFFUSED |           |     |          |                  |

**LIMITS OF SAFE OPERATION AT 25°C PER CHIP**

| PARAMETER                | MAX        | UNITS      |
|--------------------------|------------|------------|
| PEAK FORWARD CURRENT*    | 150        | mA         |
| STEADY CURRENT           | 30         | mA         |
| POWER DISSIPATION        | 105        | mW         |
| DERATE FROM 25°C         | -1.2       | mW/°C      |
| OPERATING, STORAGE TEMP. | -40 TO +85 | °C         |
| SOLDERING TEMP.          | +260       | °C         |
| 2.0mm FROM BODY          |            | 3 SEC. MAX |

\*  $t < 10\mu s$

**RELIABILITY NOTE**

OUR MANY YEARS OF EXPERIENCE DATA ACCUMULATION INDICATE THAT SOLDER HEAT IS A MAJOR CAUSE OF EARLY AND FUTURE FAILURE. PLEASE PAY ATTENTION TO YOUR SOLDERING PROCESS.



290 E. HELLEN ROAD  
 PALATINE, ILLINOIS 60067  
 (847) 359-2790

**CONFIDENTIAL INFORMATION**  
 THE INFORMATION CONTAINED IN THIS DOCUMENT IS THE PROPERTY OF LUMEX INCORPORATED. EXCEPT AS SPECIFICALLY AUTHORIZED IN WRITING BY LUMEX INCORPORATED, THE HOLDER OF THIS DOCUMENT SHALL KEEP ALL INFORMATION CONTAINED HEREIN CONFIDENTIAL AND SHALL PROTECT SAME IN WHOLE OR IN PART FROM DISCLOSURE AND DISSEMINATION TO ALL THIRD PARTIES.

|               |      |        |       |
|---------------|------|--------|-------|
| DATE: 4-30-96 | DWN: | CHK'D: | APPD: |
| SCALE: N/A    |      |        |       |

0.56" TRIPLE DIGIT, SEVEN SEGMENT DISPLAY, 635nm RED, GREY FONT/WHITE SEGMENTS, COMMON CATHODE.

|             |                              |          |
|-------------|------------------------------|----------|
| PAGE 1 OF 1 | DRAWING NUMBER<br>LDT-C514RI | REV<br>A |
|-------------|------------------------------|----------|