

PLEASE CHECK WWW.MOLEX.COM FOR LATEST PART INFORMATION

Part Number: [0495181392](#)
Status: **Active**
Description: 3.96mm (.156") Pitch Wire-to-Board Retainer, 13 Circuits, UL94V-2, Red

Documents:

[Drawing \(PDF\)](#) [RoHS Certificate of Compliance \(PDF\)](#)
[Product Specification PS-49517-001 \(PDF\)](#)

General

Product Family	Accessories
Series	49518
Component Type	Retainer
Product Name	TPA™ - Term Pos Assurance

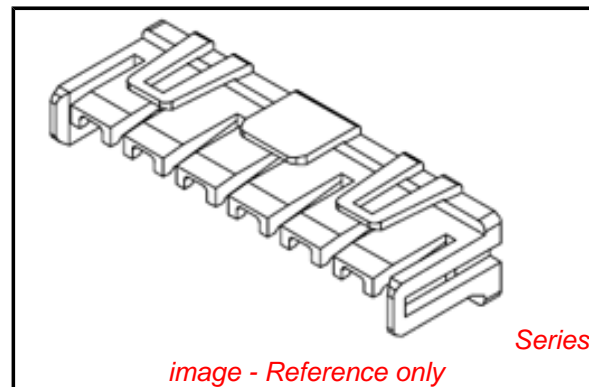
Physical

Circuits (Loaded)	13
Color - Resin	Natural
Lock to Mating Part	Yes
Material - Resin	Nylon
Number of Rows	0
Packaging Type	Bag
Temperature Range - Operating	-25°C to +85°C

Material Info

Reference - Drawing Numbers

Packaging Specification	PK-49518-001
Product Specification	PS-49517-001
Sales Drawing	SD-49518-001



EU RoHS

**ELV and RoHS
Compliant**
REACH SVHC
 Not Reviewed
**Halogen-Free
Status**

China RoHS



**Need more information on product
environmental compliance?**

Email productcompliance@molex.com
 For a multiple part number RoHS Certificate of Compliance, [click here](#)

Please visit the [Contact Us](#) section for any non-product compliance questions.

Search Parts in this Series

[49518Series](#)

Use With

[49517 Wire-to-Board Female Housing](#)

DO NOT SCALE DRAWING DIMENSION IN METRIC

DWG. NO. SD-49518-001

SIMILAR ITEM

PROJECT NO.

B

DO NOT SCALE DRAWING DIMENSION IN METRIC

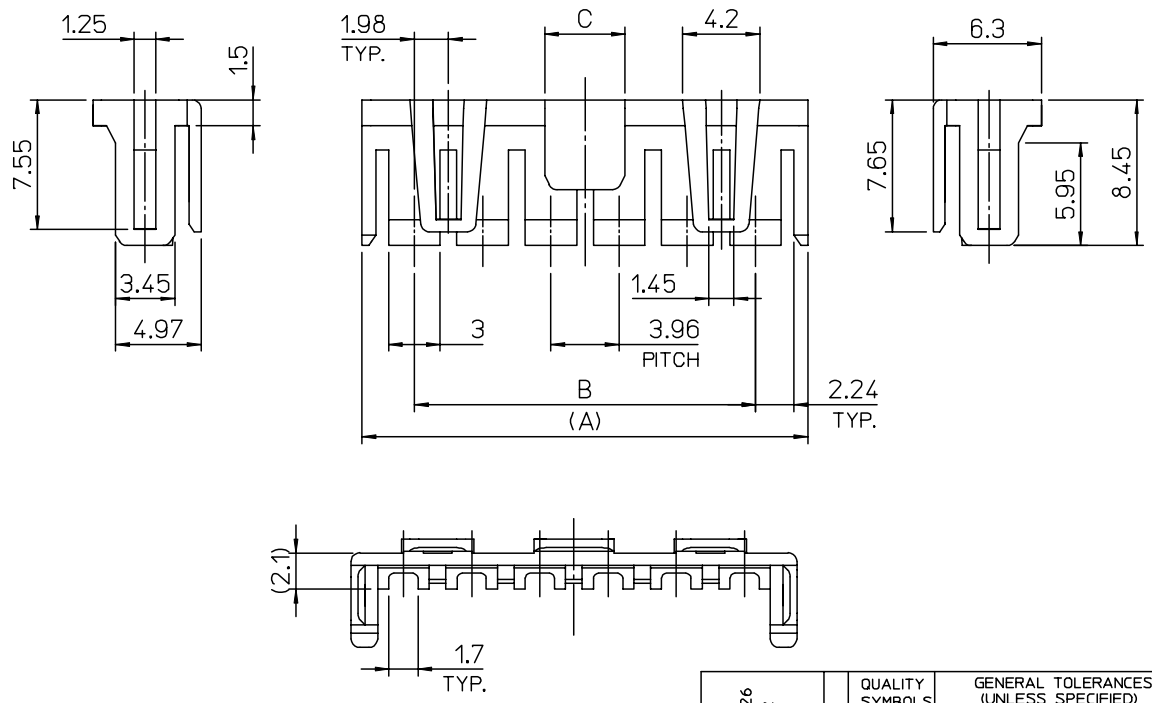
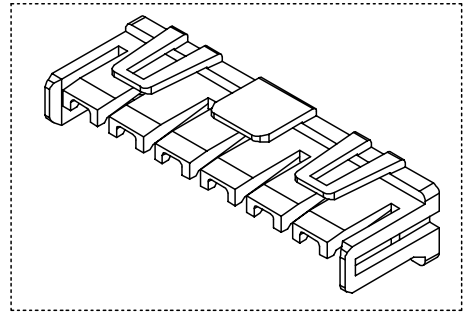
8 7 6 5 4 3 2 1

F
E
D
C
B
A

TRADE MARK MK1

CAVITY NO. (1,2,3,...)

LOCKING "G"



17.07	55.44	61.52	- 1590	15	LOCKING
	51.48	57.56	- 1490	14	
	47.52	53.6	- 1390	13	
	43.56	49.64	- 1290	12	
	39.60	45.68	- 1190	11	
	35.64	41.72	- 1090	10	
14.87	31.68	37.76	- 0990	9	
12.87	27.72	33.8	- 0890	8	
8.04	23.76	29.84	- 0790	7	
4.67	19.80	25.88	- 0690	6	WITHOUT LOCKING
	15.84	21.92	- 0590	5	
	11.88	17.96	- 0490	4	
	7.92	14	- 0390	3	
0.67	3.96	10.04	49518- 0290	2	
C	B	A	MATERIAL NO.	CKT'	TYPE'G'

- NOTES
- MATERIAL : POLYAMIDE66,UL94V-2
 - FINISH : NATURAL COLOR
 - MATED WITH HOUSING : 49517 SERIES

NEW RELEASED ECN NO. KOR2006-0026 DRWN: J.B.JIN 05/08/22 CHK: W.Y.YANG APPR: C.W.LEE	DESCRIPTION MAJOR CRITICAL	GENERAL TOLERANCES: (UNLESS SPECIFIED)		SCALE 1:1	DESIGN UNITS <input checked="" type="checkbox"/> mm <input type="checkbox"/> INCH	DIMENSIONS: <input type="checkbox"/> mm <input type="checkbox"/> INCH <input checked="" type="checkbox"/> mm ONLY		SHT	REV
		4 PLACES ±0.	±-	DRAWN BY & DATE J.B.JIN 05/02/18	TITLE: 3.96 W/B CONN.-TPA				
A	REV	3 PLACES ±0.	±-	CHECKED BY & DATE W.Y.YANG 05/02/18	APPROVED BY & DATE C.W.LEE 05/02/18		MOLEX INCORPORATED		
		2 PLACES ±0.25	±-	CAD FILENAME S49518AA.MI	MATERIAL NO. SEE CHART	DRAWING NO. SD-49518-001	SHEET NO. 1 OF 1		
		1 PLACE ±0.25	±-	DRAFT WHERE APPLICABLE MUST REMAIN WITHIN DIMENSIONS		THIS DRAWING CONTAINS INFORMATION THAT IS PROPRIETARY TO MOLEX INCORPORATED AND SHOULD NOT BE USED WITHOUT WRITTEN PERMISSION.		SIZE B	
		ANGULAR: ± °				KOREA		MX-A3	