

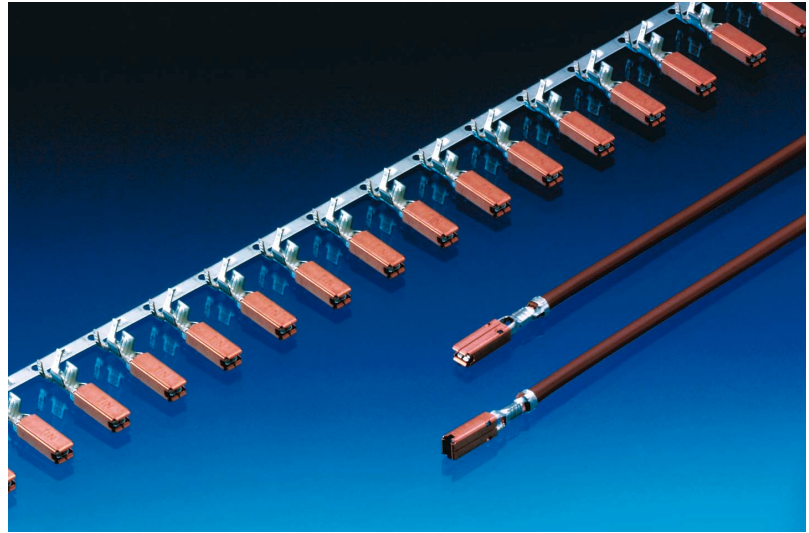
## DCS-1



## 2.8 mm female terminals (box version)

## Features

- DCS-1 technology
- Long box in CuSn
- 5 mm pitch for unsealed application
- 6 mm pitch for sealed application with single wire seal
- Lanceless design
- Protected contact springs
- Low contact mating force
- Selective gold-plated versions available
- Crimp code on terminal



## Performance characteristics\*

- Contact resistance: < 3 m $\Omega$
- Contact mating force: < 9 N
- Contact unmating force: < 6 N
- Current carrying capacity with 2.5 mm<sup>2</sup> wire:
 

at 23°C up to approx.:	28 A
at 85°C up to approx.:	17 A
at 100°C up to approx.:	14 A

\* Mated with 2.8 x 0.8 mm DCS-1 male terminals (Sn)

## Packing

- No. of terminals per reel: Consult us
- No. of reels per packing: Consult us

## Tooling

- Manual crimping tool: Consult us
- Mini applicator: Consult us

Part Numbers	Type	Wire size range (in mm <sup>2</sup> /AWG)		Insulation $\varnothing$ (in mm) Max.	Material	Plating
		Min.	Max.			
6 001 26 11	Female	0.22	0.35	1.30 (FLRY wire)	CuSn/CuSn	Sn
6 001 26 31	Female	0.5	1.00	2.10 (FLRY wire)	CuSn/CuSn	Sn
6 001 26 41	Female	> 1.0	2.50	3.00 (FLRY wire)	CuSn/CuSn	Sn
6 001 26 71	Female	AWG 22			CuSn/CuSn	Sn
6 001 26 81	Female	AWG 20-B & 18B		2.06 (AWG wire)	CuSn/CuSn	Sn
6 001 26 91	Female	AWG 16-B & 14B		2.69 (AWG wire)	CuSn/CuSn	Sn
6 001 26 14	Female	0.22	0.35	1.30 (FLRY wire)	CuSn/CuSn	Au
6 001 26 34	Female	0.5	1.00	2.10 (FLRY wire)	CuSn/CuSn	Au
6 001 26 74	Female	AWG 22			CuSn/CuSn	Au
6 001 26 84	Female	AWG 20-B & 18 B		2.06 (AWG wire)	CuSn/CuSn	Au

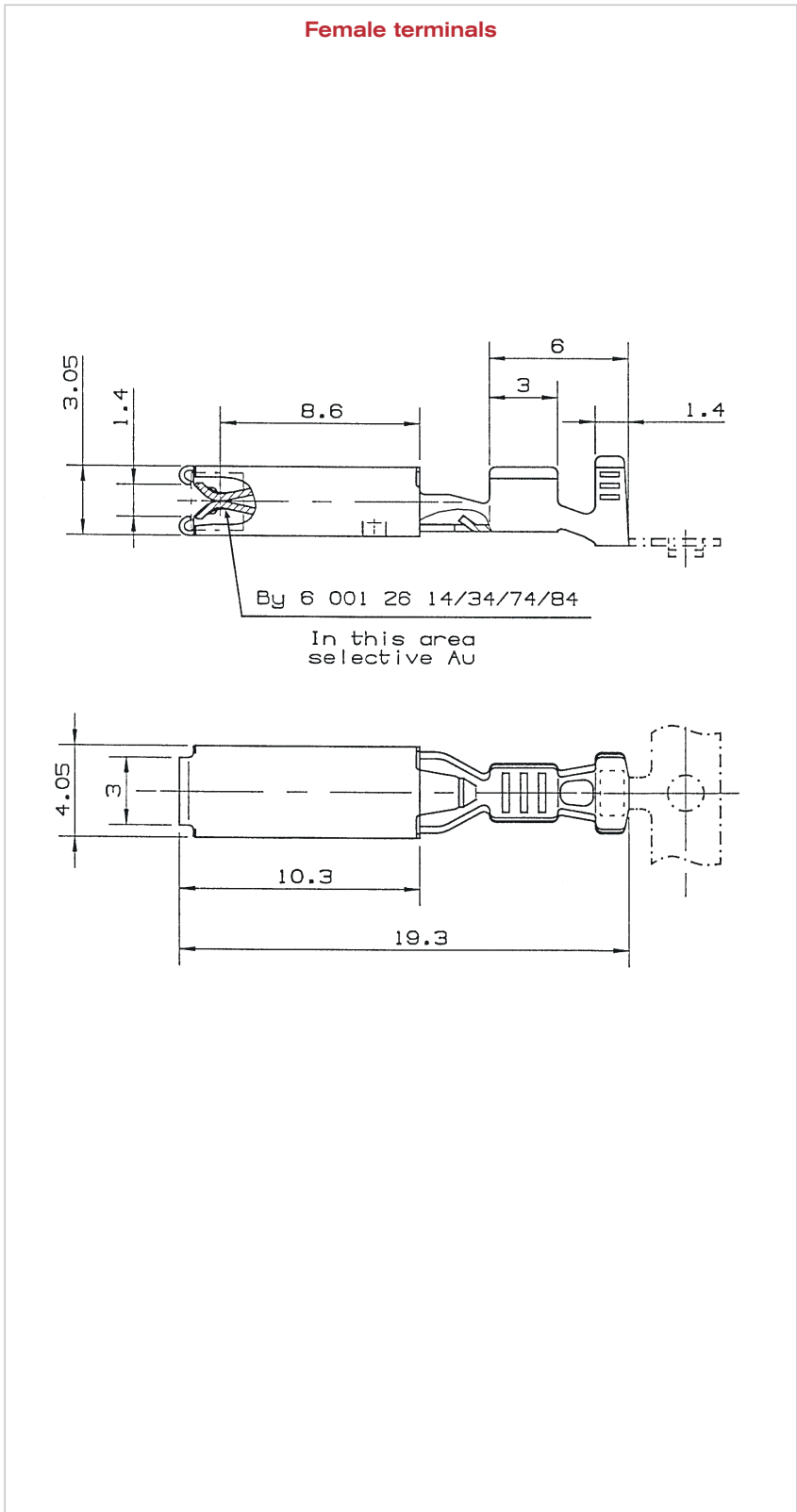
# DCS-1



## 2.8 mm female terminals (box version)

*Dimensional characteristics*

Notes :




---

---

---

---

---

---

---

---

---

---

---

---

---

---

---

---

---

---

---

---

---

---

---

---

---

---

---

---

---

---