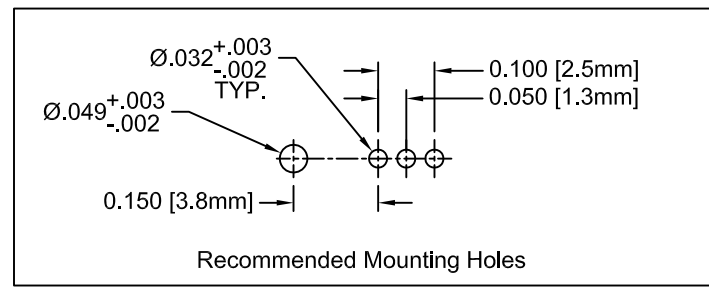
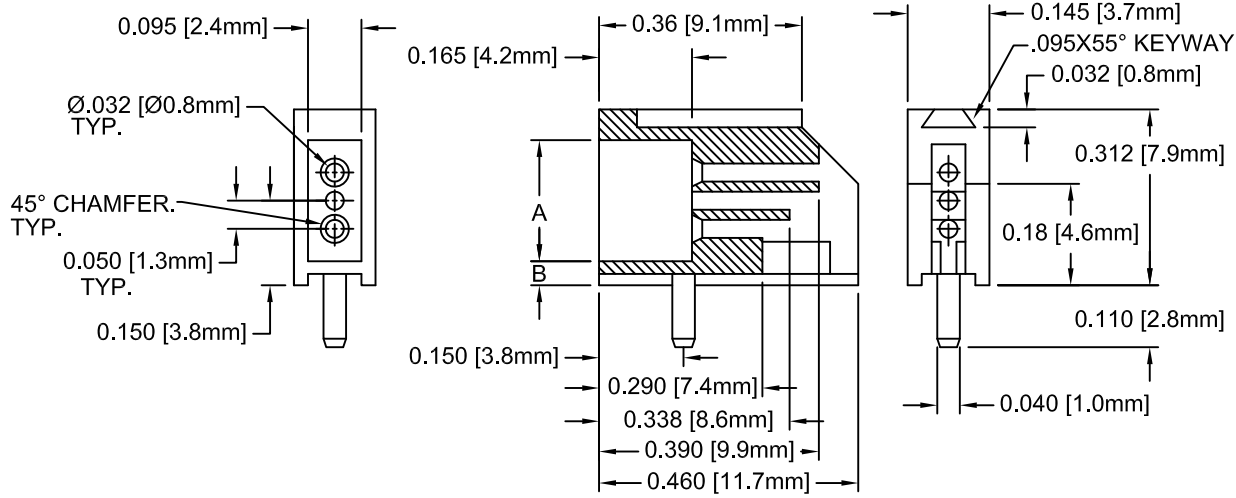

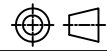


REV.	DESCRIPTION	DATE	APPROVED
A	Engineering Update w/o Changes	02/27/04	M. C.
B	Model Update	06/15/09	T. Y.



PART NO.	A	B
H-3RV-4	.160 (4.1mm)	.070 (1.8mm)
H-3RV-5	.215 (4.5mm)	.043 (1.1mm)

2. MATERIAL: NYLON 6/6, 94V-0, BLACK. BIVAR MATERIAL CODE 22-BK.
 RTP POLYAMIDE NYLON 6/6, 0200 FR, BLACK OR MODIFIED PLASTICS MN6/6-SE BK.
1. GENERAL SPECIFICATIONS: BIVAR MOLDED COMPONENT SPECIFICATION BV00-E101.

STANDARD TOLERANCE (UNLESS OTHERWISE SPECIFIED)		 BIVAR [®] 4 THOMAS, IRVINE, CA. 92618 TEL: (949) 951-8808 FAX: (949) 951-3974	
DECIMALS	ANGULAR		
.X ±.1	X° ± 1°	TITLE: MULTIPLE SIZE RECTANGULAR LED HOLDER BI-LEAD / TRI-LEAD COUPLING BAR MOUNTABLE	
.XX ±.01			
.XXX ±.005			
DESIGNED: Shane Irving	DATE: 01/19/99	PART NO: H-3RV-X	REVISION: B
CHECKED: D. Green	DATE: 02/27/04	CAGE CODE : 32559	SHEET # 1 OF 1
CAD GENERATED DOCUMENT, DO NOT MEASURE DRAWING.			