

PLEASE CHECK WWW.MOLEX.COM FOR LATEST PART INFORMATION

Part Number: [0192030384](#)
Status: **Active**
Description: Krimptite™ Temp-Term Butt Splice for 18-22 AWG Wire, 483°C (900° F), Loose Piece

Documents:

[Drawing \(PDF\)](#) [RoHS Certificate of Compliance \(PDF\)](#)

General

Product Family	Splices
Series	19203
Crimp Quality Equipment	Yes
Mil-Spec	N/A
Product Name	Krimptite™

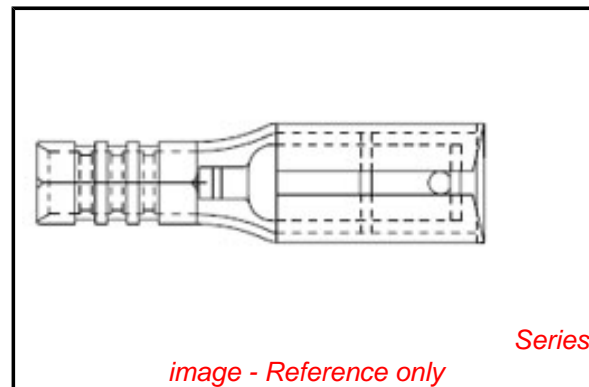
Physical

Barrel Type	Closed
Insulation	None
Packaging Type	Bag
Temperature Range - Operating	483°C
Wire Insulation Diameter	3.60mm (0.140")
Wire Size AWG	18, 20, 22

Material Info

Reference - Drawing Numbers

Sales Drawing	SD-19203-015
---------------	--------------



EU RoHS

**ELV and RoHS
Compliant**
REACH SVHC
 Not Reviewed
**Halogen-Free
Status**
 Not Reviewed

China RoHS



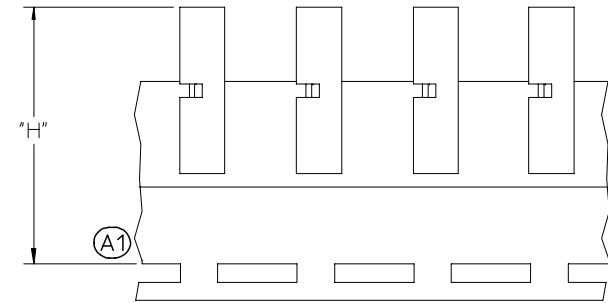
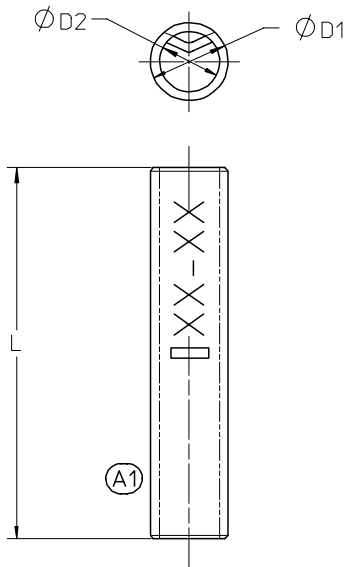
**Need more information on product
environmental compliance?**

Email productcompliance@molex.com
 For a multiple part number RoHS Certificate of
 Compliance, [click here](#)

Please visit the [Contact Us](#) section for any
 non-product compliance questions.

Search Parts in this Series
[19203Series](#)

MATERIAL NO.	ENGINEERING NO.	D1 MAX	D2 MIN	L MAX	H NOMINAL	WIRE RANGE AWG	DESCRIPTION
192030384 (A1)	A-S-145	.14/3.6	.05/1.2	.627/15.92	-----	22-18	LOOSE
192030385	B-S-131	.17/4.3	.07/1.9	.627/15.92	-----	16-14	LOOSE
192030386	C-S-146	.23/5.8	.12/3.0	.627/15.92	-----	12-10	LOOSE
192030523 (A1)	192030384T	.14/3.6	.05/1.2	.627/15.92	1.218/30.94	22-18	TAPE
192030479	192030385T	.17/4.3	.07/1.9	.627/15.92	1.218/30.94	16-14	TAPE
192030480	192030386T	.23/5.8	.12/3.0	.627/15.92	1.218/30.94	12-10	TAPE



PARTS ON TAPE

NOTE(S):

1. MATERIAL: STEEL .031/0.80 THICK REF
2. FINISH: NICKEL PLATING
3. PART IS ROHS COMPLIANT.

(A1)

ADD MATERIAL #'S EC NO: ETC2005-0779 DRWN: DMYRICK 2006/09/05 CHKD: JPAMLCKI 2006/09/05 APPR: JMACNEIL 2006/09/11	QUALITY SYMBOLS ▽=0 ▽=0	GENERAL TOLERANCES (UNLESS SPECIFIED)		DIMENSION STYLE IN/MM		SCALE 1:1	DESIGN UNITS INCH	THIRD ANGLE PROJECTION	
			mm	INCH	DRAWN BY DMYRICK	DATE 2005/4/7	TITLE STEP DOWN BUTT SPLICE SEAMLESS		
		4 PLACES	±----	±----	CHECKED BY RDEROSS	DATE 2005/4/7			
		3 PLACES	±----	±----	APPROVED BY RDEROSS	DATE 2005/4/7	MOLEX INCORPORATED		
2 PLACES	±----	±----	MATERIAL NO. SEE CHART		DOCUMENT NO. SD-19203-015	SHEET NO. 1 OF 1			
1 PLACE	±----	±----	DRAFT WHERE APPLICABLE MUST REMAIN WITHIN DIMENSIONS		THIS DRAWING CONTAINS INFORMATION THAT IS PROPRIETARY TO MOLEX INCORPORATED AND SHOULD NOT BE USED WITHOUT WRITTEN PERMISSION				
ANGULAR	±----°								