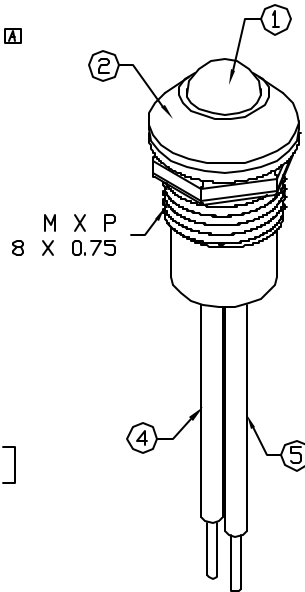
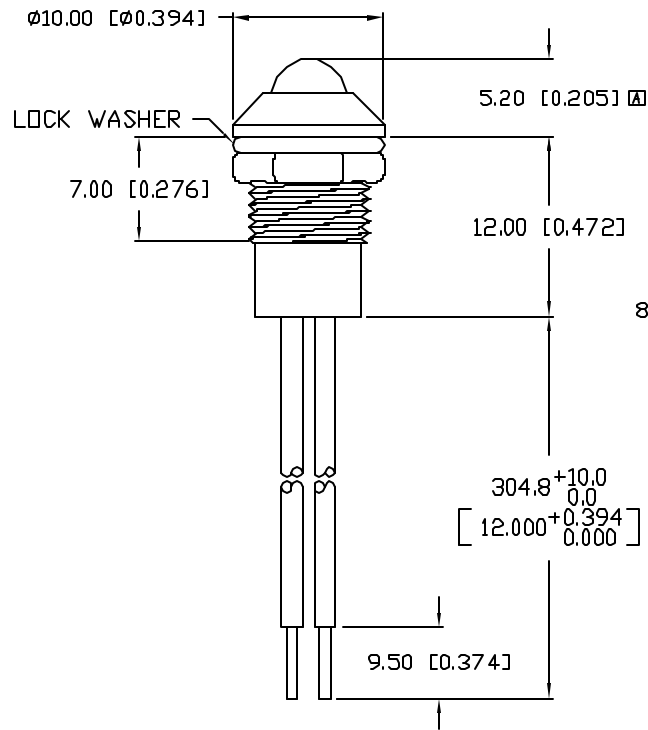
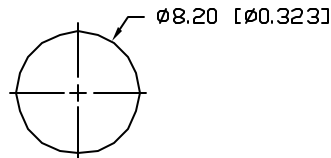


UNCONTROLLED DOCUMENT



M X P
8 X 0.75

PANEL CUTOUT



NOTES:

1. SSL-LX5093HGW, RED/GREEN LED. TRIM LEADS TO 4mm.
2. SSI-LXR3816, CHROME HOUSING.
3. SSH-LX44815BSG, BUSHING (NOT SHOWN). INSERT AND CRIMP.
4. RED ANODE LEAD: LXP-WST24RDTQC, 24 AWG., TINNED OVERCOAT, RED INSULATION. CUT 310mm LONG, STRIP BOTH ENDS 3mm & 9.5mm.
5. GREEN ANODE LEAD: LXP-WST24BLTQC, 24 AWG., TINNED OVERCOAT, BLACK INSULATION. CUT 310mm LONG, STRIP BOTH ENDS 3mm & 9.5mm.
6. CRIMP WIRES TO LED LEADS.

*UNLESS OTHERWISE SPECIFIED TOLERANCES PER DECIMAL PRECISION ARE: X=±1 (±0.039), XX=±0.5 (±0.020), XXX=±0.25 (±0.010), XXXX=±0.127 (±0.005). LEAD SIZE=±0.05 (±0.002), LEAD LENGTH=±0.75 (±0.030), MIN= ^{+DECIMAL PRECISION} -0.00 ^{MAX.= +0.00} -DECIMAL PRECISION

PART NUMBER
SSI-LXR3816HGW-300

REV.
A

| REV. | E.C.N. NUMBER AND REVISION COMMENTS | DATE |
|------|-------------------------------------|----------|
| A | E.C.N. #10810. & REDRAWN IN 3D. | 11.12.01 |

ELECTRO-OPTICAL CHARACTERISTICS T_A=25°C I_f=20mA

| PARAMETER | MIN | TYP | MAX | UNITS | TEST COND |
|-----------------------|----------------------|-------------|---------|----------------|-----------------------|
| PEAK WAVELENGTH | | 700 (RED) | | nm | |
| | | 565 (GREEN) | | nm | |
| FORWARD VOLTAGE (R/G) | | 2.0/2.2 | 2.5/2.6 | V _f | |
| REVERSE VOLTAGE | 5.0 | | | V _r | I _r =100µA |
| AXIAL INTENSITY (R/G) | | 6/25 | | mcd | I _f =20mA |
| VIEWING ANGLE | | 60 | | 2x theta | |
| EMITTED COLOR: | RED/GREEN | | | | |
| EPOXY LENS FINISH: | MILKY WHITE DIFFUSED | | | | |

LIMITS OF SAFE OPERATION AT 25°C

| PARAMETER | COLORS | MAX | UNITS |
|--------------------------|--------|------------|-------|
| PEAK FORWARD CURRENT* | | 150 | mA |
| STEADY CURRENT | | 25 | mA |
| POWER DISSIPATION | (R/G) | 120/105 | mW |
| DERATE FROM 25°C | | -1.2 | mW/°C |
| OPERATING, STORAGE TEMP. | | -40 TO +85 | °C |

* t<10µS

UNCONTROLLED DOCUMENT

REV.

PART NUMBER

A

SSI-LXR3816HGW-300

T-5mm RED/GREEN LED PANEL INDICATOR,
MILKY WHITE DIFFUSED LENS, 12.0" WIRE LEADS.

CONFIDENTIAL INFORMATION

THE INFORMATION CONTAINED IN THIS DOCUMENT IS THE PROPERTY OF LUMEX INC. EXCEPT AS SPECIFICALLY AUTHORIZED IN WRITING BY LUMEX INC, THE HOLDER OF THIS DOCUMENT SHALL KEEP ALL INFORMATION CONTAINED HEREIN CONFIDENTIAL AND SHALL PROTECT SAME IN WHOLE OR IN PART FROM DISCLOSURE AND DISSEMINATION TO ALL THIRD PARTIES.

RELIABILITY NOTE

OUR MANY YEARS OF EXPERIENCE DATA ACCUMULATION INDICATE THAT SOLDER HEAT IS A MAJOR CAUSE OF EARLY AND FUTURE FAILURE. PLEASE PAY ATTENTION TO YOUR SOLDERING PROCESS.



290 E. HELEN ROAD
PALATINE, IL 60067-6976
PHONE: +1.847.359.2790
US WEB: www.lumex.com
TW WEB: www.lumex.com.tw

DRAWN BY:

BC

CHECKED BY:

APPROVED BY:

DATE: 5.20.99

PAGE: 1 OF 1

SCALE: N/A