

PLEASE CHECK WWW.MOLEX.COM FOR LATEST PART INFORMATION

Part Number: [0432028819](#)
Status: **Active**
Overview: [modular_plugs_jacks](#)
Description: Modular Jack, Right Angle, Low Profile, Shielded, All Panel Grounding Tabs, without Bottom Grounding Tab, Front Position PCB Ground Tab, 8/8

Documents:

[3D Model](#) [Product Specification PS-43202-001 \(PDF\)](#)
[Drawing \(PDF\)](#) [RoHS Certificate of Compliance \(PDF\)](#)

Agency Certification

CSA LR19980
 UL E107635

General

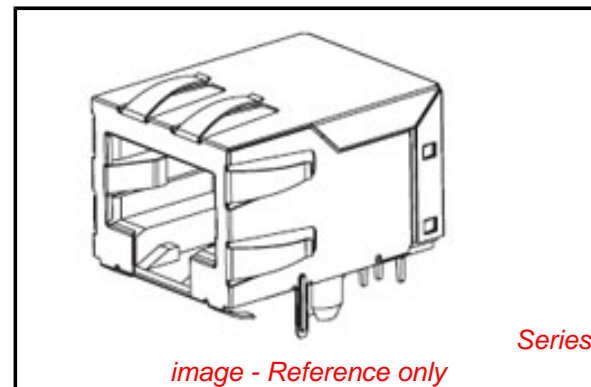
Product Family Modular Jacks/Plugs
 Series [43202](#)
 Component Type PCB Jack
 Magnetic No
 Overview [modular_plugs_jacks](#)
 Performance Category 3
 Power over Ethernet (PoE) N/A
 Product Name RJ45

Physical

Color - Resin Black
 Durability (mating cycles max) 500
 Flammability 94V-0
 Inverted / Top Latch No
 Lightpipes/LEDs None
 Material - Metal Brass, Phosphor Bronze
 Material - Plating Mating Gold
 Material - Plating Termination Tin
 Material - Resin High Temperature Thermoplastic
 Orientation Right Angle (Side Entry)
 PCB Retention Yes
 PCB Thickness Recommended (in) 0.062 In
 PCB Thickness Recommended (mm) 1.60 mm
 Packaging Type Tray
 Panel Mount Without Flange
 Pitch - Mating Interface (in) 0.050 In
 Pitch - Mating Interface (mm) 1.27 mm
 Plating min: Mating (µin) 50
 Plating min: Mating (µm) 1.25
 Plating min: Termination (µin) 100
 Plating min: Termination (µm) 2.5
 Ports 1
 Positions / Loaded Contacts 8/8
 Surface Mount Compatible (SMC) Yes
 Temperature Range - Operating -40°C to +85°C
 Termination Interface: Style Through Hole
 Wire/Cable Type N/A

Electrical

Current - Maximum per Contact 1.5A
 Grounding to PCB Yes



EU RoHS

ELV and RoHS Compliant
REACH SVHC
 Not Reviewed
Halogen-Free Status
 Not Reviewed

China RoHS



Need more information on product environmental compliance?

Email productcompliance@molex.com
 For a multiple part number RoHS Certificate of Compliance, [click here](#)

Please visit the [Contact Us](#) section for any non-product compliance questions.

Search Parts in this Series

[43202Series](#)

Mates With

FCC 68 Plugs

Grounding to Panel	Yes
Shielded	Yes
Voltage - Maximum	125V

Solder Process Data

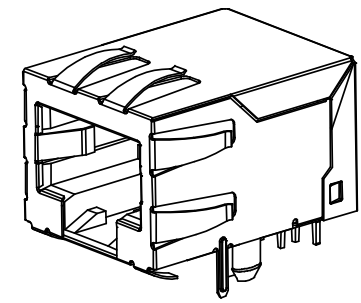
Lead-free Process Capability	Wave Capable (TH only)
------------------------------	------------------------

Material Info**Reference - Drawing Numbers**

Packaging Specification	PK-43202-004
Product Specification	PS-43202-001, RPS-43202-002
Sales Drawing	SDA-43202

This document was generated on 06/07/2010

PLEASE CHECK WWW.MOLEX.COM FOR LATEST PART INFORMATION



SHIELDED MODULAR JACK SHOWN WITH PANEL GROUND OPTION 'D' AND FRONT PCB GROUND TABS.

NOTES:

- 1) MATERIAL:
 - HOUSING: NYLON(PA), GLASS FILLED, UL94V-0, COLOR: SEE SHEETS 5 AND 6
 - INSULATOR: NYLON(PA), GLASS FILLED, UL94V-0, COLOR: SEE SHEETS 5 AND 6
 - TERMINALS: PHOSPHOR BRONZE, .012/ 0.30 THICK
 - SHIELD: BRASS, .007/ 0.18 THICK
- 2) FINISH:
 - TERMINALS:
 - A = SELECT GOLD IN CONTACT AREA: 50 MICROINCHES / 1.27 MICROMETERS MIN., *SELECT TIN IN PC TAIL AREA: 100 MICROINCHES / 2.54 MICROMETERS MIN., WITH OVERALL NICKEL UNDERPLATE: 50 MICROINCHES / 1.27 MICROMETERS MIN.
 - B = SELECT GOLD IN CONTACT AREA: 30 MICROINCHES / 0.76 MICROMETERS MIN., *SELECT TIN IN PC TAIL AREA: 100 MICROINCHES / 2.54 MICROMETERS MIN., WITH OVERALL NICKEL UNDERPLATE: 50 MICROINCHES / 1.27 MICROMETERS MIN.
 - *THE PRIMARY SHIPPING CARTON WILL BE LABELED "COMPLIANT TO RoHS DIRECTIVE 2002/95/EC AND ELV ANNEX II OF DIRECTIVE 2000/53/EC". CARTONS WITHOUT THIS LABEL MAY CONTAIN PRODUCT WITH TIN-LEAD IN THE PC TAILS AND/OR SHIELD.
 - SHIELD:
 - 100 MICROINCHES / 2.54 MICROMETERS NICKEL OVER 50 MICROINCHES / 1.27 MICROMETERS COPPER UNDERPLATE PCB GROUND TABS DIPPED IN TIN
- 3) PRODUCT SPECIFICATION AND PROCESSING PARAMETERS: PS-43202.
- 4) PACKAGING SPECIFICATION:
 - UNSHIELDED CONNECTOR ASSEMBLIES PACKAGED IN THERMOFORMED TRAYS PER MOLEX PACKAGING SPECIFICATION PK-43202-003.
 - UNSHIELDED CONNECTOR ASSEMBLIES PACKAGED IN TUBES PER MOLEX PACKAGING SPECIFICATION PK-43202-005.
 - SHIELDED CONNECTOR ASSEMBLIES PACKAGED IN THERMOFORMED TRAYS PER MOLEX PACKAGING SPECIFICATION PK-43202-004.
- 5) SEE SHEETS 7 - 9 FOR P.C. BOARD LAYOUTS.
- 6) CONFORMS TO FCC REGULATION PART 68.5 FOR MODULAR JACKS.
- 7) THIS PART CONFORMS TO CLASS B REQUIREMENTS OF COSMETIC SPECIFICATION PS-45499-002.

9	L2
8	L2
7	L2
6	L4
5	L
4	K2
3	L1
2	L1
1	L4
SH	REV

DRAWING LEGEND

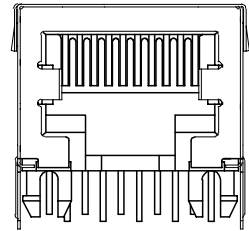
- SHEET 1- NOTES, DRAWING LEGEND
- SHEET 2- SHIELDED MODULAR JACK W/ BOTTOM GROUND TABS
- SHEET 3- SHIELDED MODULAR JACK W/O BOTTOM GROUND TABS
- SHEET 4- UNSHIELDED MODULAR JACK
- SHEET 5- PART NUMBER CHARTS
- SHEET 6- PART NUMBER CHARTS
- SHEET 7- FOOTPRINT LAYOUT FOR 4 POSITION HOUSING
- SHEET 8- FOOTPRINT LAYOUT FOR 6 POSITION HOUSING
- SHEET 9- FOOTPRINT LAYOUT FOR 8 POSITION HOUSING

OBS COLORED JACKS EC NO: UCP2008-1189 DRAWN:JBELL 2007/11/30 CHKD:LSCHMIDT 2008/02/20 APPR:FSM1TH 2008/03/04	DESCRIPTION	QUALITY SYMBOLS	GENERAL TOLERANCES (UNLESS SPECIFIED)		DIMENSION STYLE		SCALE	DESIGN UNITS	THIRD ANGLE PROJECTION	
		▼=0 ▽=0	mm	INCH	IN/MM		4:1	INCH		
			4 PLACES ± --- ± ---		DRAWN BY	DATE	TITLE ULTRA LOW PROFILE RIGHT ANGLE MODULAR JACK ASSEMBLY			
			3 PLACES ± --- ± .010		JTR	1993/03/31				
	2 PLACES ± 0.25 ± .014		CHECKED BY	DATE	MOLEX INCORPORATED					
	1 PLACE ± 0.36 ± ---		JTR	1993/03/31						
	ANGULAR ±1/2°		APPROVED BY	DATE	DOCUMENT NO.		SHEET NO.			
			RAS	1993/03/31	SDA-43202		1 OF 9			
			DRAFT WHERE APPLICABLE MUST REMAIN WITHIN DIMENSIONS		SEE SHTS 5&6					
			THIS DRAWING CONTAINS INFORMATION THAT IS PROPRIETARY TO MOLEX INCORPORATED AND SHOULD NOT BE USED WITHOUT WRITTEN PERMISSION							

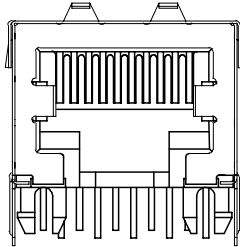
SHIELDED MODULAR JACK W/O BOTTOM GROUND TABS

SIZE 8, LOADED 10 VERSION SHOWN

SIDE/TOP GROUND TAB OPTIONS FOR SHIELDS



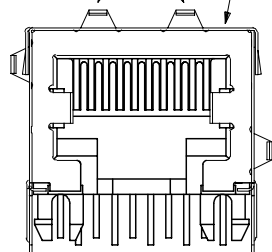
OPTION "E"
NO TOP OR SIDE TABS



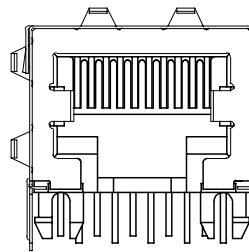
OPTION "F"
TOP TABS

OPTIONAL TOP GROUND TABS

SHIELDED MODULAR JACK ASSEMBLY
SEE SHEET 6 FOR MATERIAL NO.

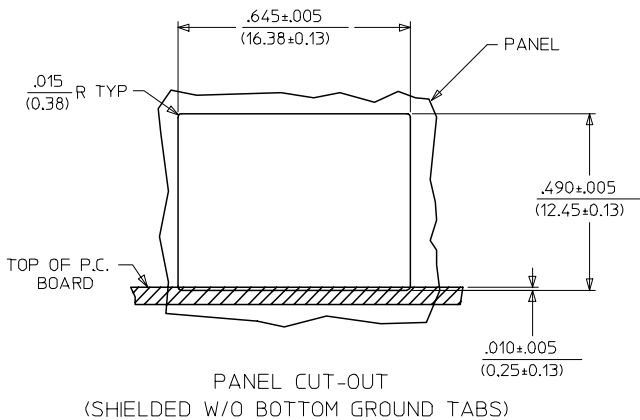
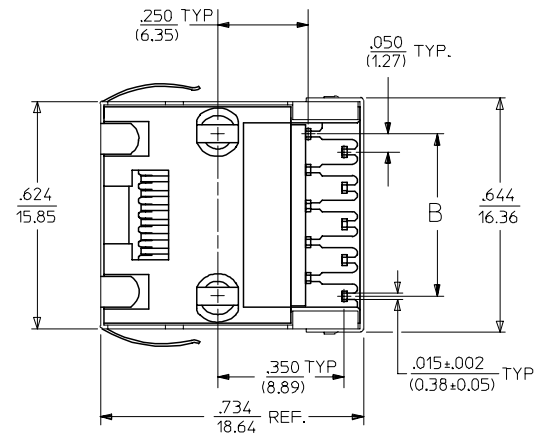
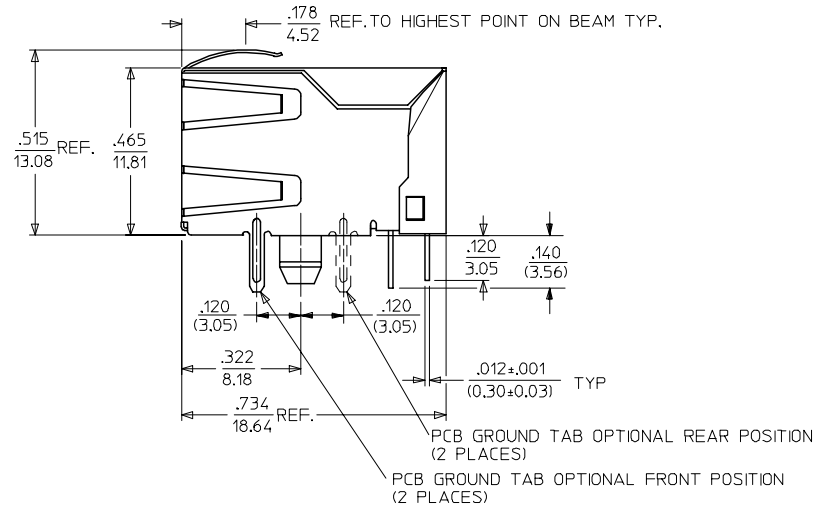


OPTION "G"
TOP AND STAGGERED SIDE TABS



OPTION "H"
TOP AND SIDE TABS

OPTIONAL SIDE
GROUND TABS
(2 PLACES)



HOUSING SIZE	CIRCUIT SIZE	DIM. B
8	10	.450±.005 (11.43±0.13)
8	8	.350±.005 (8.89±0.13)


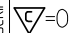
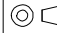
SEE SHEET ONE FC NO: UCP2004-1888 DRWN:LSCHMIDT 2004/03/31 CHKD:LSCHMIDT 2004/03/31 APPR:FSMITH 2004/03/31	QUALITY SYMBOLS	GENERAL TOLERANCES (UNLESS SPECIFIED)	SCALE 4:1	DESIGN UNITS INCH	THIRD ANGLE PROJECTION	REVISE ON CAD ONLY
	-0 -0	mm	INCH	DIMENSION STYLE IN/MM		TITLE
		4 PLACES ± --- ± ---	3 PLACES ± --- ± .010	DRAWN BY JTR	DATE 1993/03/31	ULTRA LOW PROFILE RIGHT ANGLE MODULAR JACK ASSEMBLY
		2 PLACES ± 0.25 ± .014	1 PLACE ± 0.36 ± ---	CHECKED BY JTR	DATE 1993/03/31	
ANGULAR ±1/2°	DRAFT WHERE APPLICABLE MUST REMAIN WITHIN DIMENSIONS		APPROVED BY RAS	DATE 1993/03/31	MOLEX MOLEX INCORPORATED MATERIAL NO. SEE SHT 6 DOCUMENT NO. SDA-43202 SHEET NO. 3 OF 9	

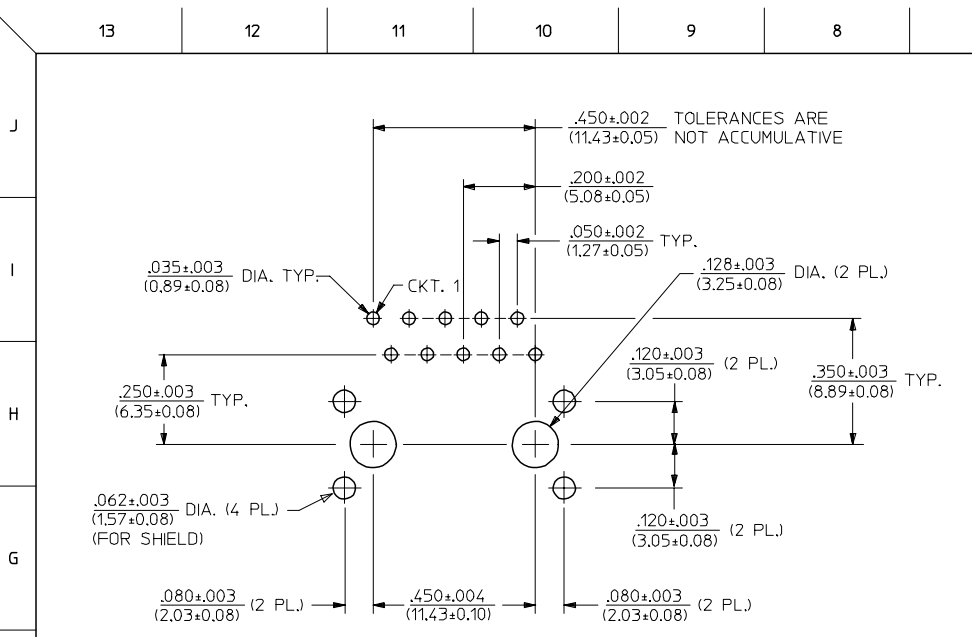
SHIELDED MODULAR JACKS W/O BOTTOM GROUND TABS (SHEET 3)

UNSHIELDED MODULAR JACKS- (SHEET 4)

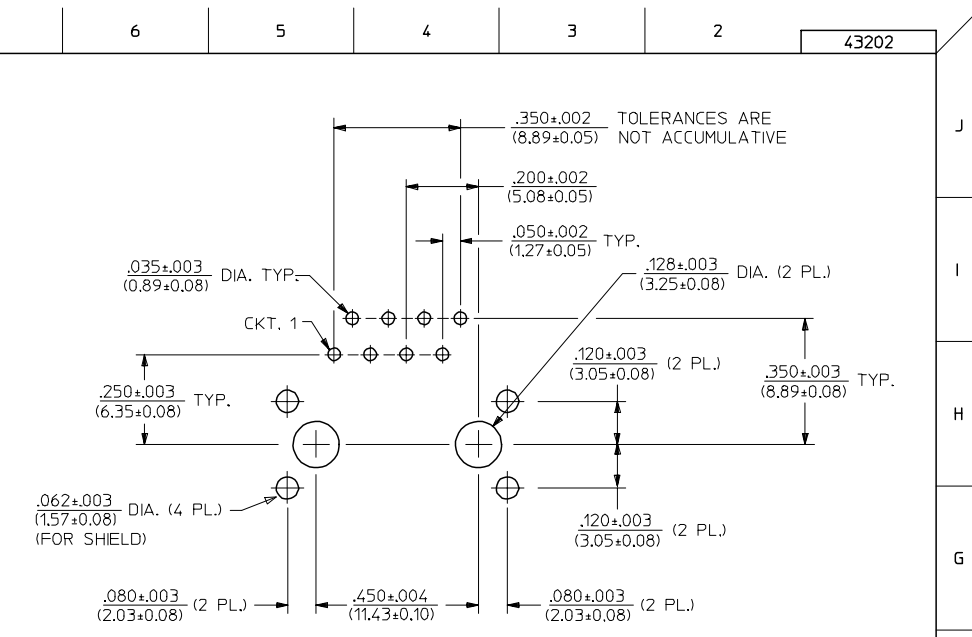
ASSEMBLY MATERIAL NUMBER	CONNECTOR SIZE	NUMBER OF CIRCUITS	SIDE/TOP PANEL GROUND TAB OPTION	PCB GROUND TAB OPTION	TERMINAL PLATING OPTION	PACKAGING	HOUSING COLOR
43202-8800	8	10	E	FRONT POSITION	A	TRAY	BLACK
43202-8801	8	10	F	FRONT POSITION	A	TRAY	
43202-8802	8	10	G	FRONT POSITION	A	TRAY	
43202-8803	8	10	H	FRONT POSITION	A	TRAY	
43202-8808	8	10	E	REAR POSITION	A	TRAY	
43202-8809	8	10	F	REAR POSITION	A	TRAY	
43202-8810	8	10	G	REAR POSITION	A	TRAY	
43202-8811	8	10	H	REAR POSITION	A	TRAY	
43202-8816	8	8	E	FRONT POSITION	A	TRAY	
43202-8817	8	8	F	FRONT POSITION	A	TRAY	
43202-8818	8	8	G	FRONT POSITION	A	TRAY	
43202-8819	8	8	H	FRONT POSITION	A	TRAY	
43202-8824	8	8	E	REAR POSITION	A	TRAY	
43202-8825	8	8	F	REAR POSITION	A	TRAY	
43202-8826	8	8	G	REAR POSITION	A	TRAY	
43202-8827	8	8	H	REAR POSITION	A	TRAY	

ASSEMBLY MATERIAL NUMBER	CONNECTOR SIZE	NUMBER OF CIRCUITS	TERMINAL PLATING OPTION	KEYING OPTION	PACKAGING OPTION	HOUSING COLOR
43202-4101	4	4	A	NO	TRAY	BLACK
43202-4104	4	2	A	NO	TRAY	
43202-6101	6	6	A	NO	TRAY	
43202-6102	6	6	B	NO	TRAY	
43202-6104	6	4	A	NO	TRAY	
43202-6105	6	4	B	NO	TRAY	
43202-6107	6	2	A	NO	TRAY	
43202-6110	6	6	B	NO	TUBE	
43202-8101	8	10	A	NO	TRAY	
43202-8104	8	8	A	NO	TRAY	
43202-8105	8	8	B	NO	TRAY	
43202-8113	8	8	A	YES	TRAY	
43202-8116	8	6	A	NO	TRAY	
43202-8119	8	4	A	NO	TRAY	
43202-8122	8	2	A	NO	TRAY	
43202-8504	8	8	A	NO	TUBE	
43202-8513	8	8	A	YES	TUBE	

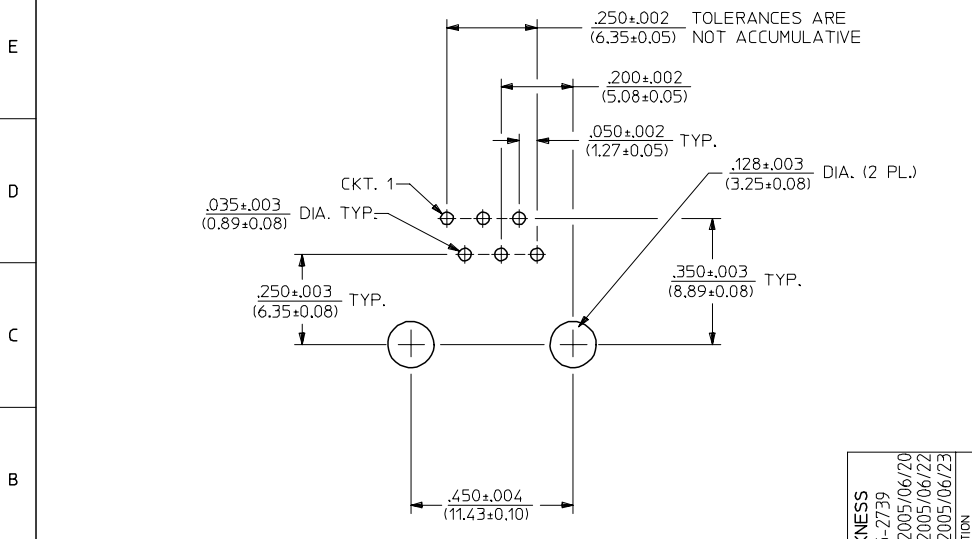
OBS COLORED JACKS EC NO: UCP2008-1189 DRWN:JBELL 2007/11/30 CHKD:LSCHMIDT 2008/02/20 APPR:FSM1TH 2008/03/04	QUALITY SYMBOLS  = 0  = 0	GENERAL TOLERANCES (UNLESS SPECIFIED)		DIMENSION STYLE IN/MM		SCALE 4:1	DESIGN UNITS INCH	 THIRD ANGLE PROJECTION	
		4 PLACES ± --- ± ---	3 PLACES ± --- ± .010	DRAWN BY JBS	DATE 2000/10/03	TITLE ULTRA LOW PROFILE RIGHT ANGLE MODULAR JACK ASSEMBLY			
		2 PLACES ± 0.25 ± .014	1 PLACE ± 0.36 ± ---	CHECKED BY BW	DATE 2000/10/03				
		ANGULAR ± 1/2°		APPROVED BY BW	DATE 2000/10/03	MATERIAL NO. SEE CHART		DOCUMENT NO. SDA-43202	
DRAFT WHERE APPLICABLE MUST REMAIN WITHIN DIMENSIONS				THIS DRAWING CONTAINS INFORMATION THAT IS PROPRIETARY TO MOLEX INCORPORATED AND SHOULD NOT BE USED WITHOUT WRITTEN PERMISSION					



PC BOARD LAYOUT FOR 8 POSITION HOUSING
(10 CIRCUIT FOOTPRINT SHOWN)
(COMPONENT SIDE OF BOARD)



PC BOARD LAYOUT FOR 8 POSITION HOUSING
(8 CIRCUIT FOOTPRINT SHOWN)
(COMPONENT SIDE OF BOARD)



PC BOARD LAYOUT FOR 8 POSITION HOUSING
(16 CIRCUIT FOOTPRINT SHOWN)
(COMPONENT SIDE OF BOARD)

NOTES:
1. RECOMMENDED PCB THICKNESS: .062±.005/(1.57±0.13)

ADD PCB THICKNESS EC NO: UCP2005-2739 DRWN: L.SCHMIDT 2005/06/20 CHKD: ELHAG 2005/06/22 APPR: F.SMITH 2005/06/23 REV: L2	QUALITY SYMBOLS	GENERAL TOLERANCES (UNLESS SPECIFIED)	SCALE 4:1	DESIGN UNITS INCH	THIRD ANGLE PROJECTION	REVISE ON CAD ONLY
	-0 -0	mm	INCH	DIMENSION STYLE IN/MM		TITLE
		4 PLACES ± --- ± ---	± .010	DRAWN BY L.E.LENZ	DATE 1995/03/09	ULTRA LOW PROFILE RIGHT ANGLE MODULAR JACK ASSEMBLY
		3 PLACES ± --- ± ---	± .014	CHECKED BY JTR	DATE 1995/03/09	
2 PLACES ± 0.25 ± ---	± ---	APPROVED BY RAS	DATE 1995/03/09	MOLEX MOLEX INCORPORATED MATERIAL NO. SEE SHTS 5&6 DOCUMENT NO. SDA-43202		
1 PLACE ± 0.36 ± ---	ANGULAR ±1/2°	DRAFT WHERE APPLICABLE MUST REMAIN WITHIN DIMENSIONS		SHEET NO. 9 OF 9 THIS DRAWING CONTAINS INFORMATION THAT IS PROPRIETARY TO MOLEX INCORPORATED AND SHOULD NOT BE USED WITHOUT WRITTEN PERMISSION		