



LEDTRONICS, Inc

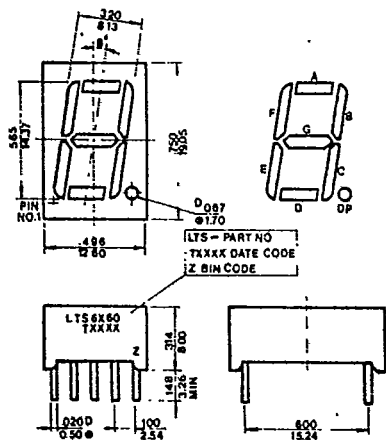
(14.22mm) SINGLE DIGIT 7 SEGMENT
0.56" NUMERIC DISPLAYS
 STD RED, HI-RED, HI-EFF RED/YELLOW/GREEN

LEDTRONICS PART NO. LTS-				ALL RNDP	LED RADIATION COLOR	ABSOLUTE MAXIMUM RATINGS Ta=25°C					ELECTRO-OPTICAL CHARACTERISTICS Ta=25°C				
COM. ANODE	SECOND SOURCES	COM. CATHODE	SECOND SOURCES	Pd mW		Ifp mA	If mA	Vr V	Topr °C	If mA	IvTYP μcd	VfTYP V	VfMAX V	IrMAX μA	λp nm
6760R	MAN6760	6780R	MAN6780		55	160	25	5	-25to+85	10	500	1.7	2.0	100	655
6760P		6780P			40	60	15	5	-25to+85	10	700	2.1	2.8	100	697
6960HR	MAN6960	6980HR	MAN6980		75	100	25	5	-25to+85	10	2000	2.1	2.8	100	635
6660E	MAN6660	6680E	MAN6680		75	100	25	5	-25to+85	10	2000	2.1	2.8	100	630
6860Y	MAN6860	6880Y	MAN6880		60	80	20	5	-25to+85	10	1700	2.1	2.8	100	585
6460G	MAN6460	6480G	MAN6480		75	100	25	5	-25to+85	10	2000	2.1	2.8	100	565
					55	100	25	5	-25to+85	10	500	1.7	2.0	100	655

NOTE: COMMON ANODE OR COMMON CATHODE ±1 OVERFLOW AVAILABLE

PACKAGE DIMENSIONS

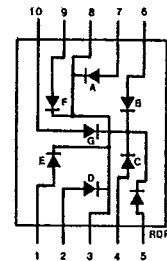
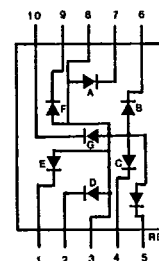
LTS-6X60/6X80



INTERNAL CIRCUIT DIAGRAM

LTS-6X60

LTS-6X80

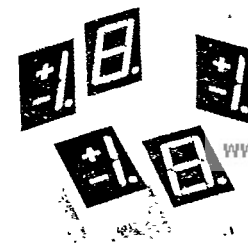
NOTE: All dimensions are in $\frac{\text{inches}}{\text{millimeters}}$, tolerance is $\frac{0.010''}{0.25\text{mm}}$ unless otherwise noted.

PIN FUNCTION

PIN NO.	CONNECTION	
	LT56H60	LT56H80
1	CATH E	ANODE E
2	CATH D	ANODE D
3	COM.ANODE	COM.CATH
4	CATH C	ANODE C
5	CATH D.P.	ANODE D.P.
6	CATH B	ANODE B
7	CATH A	ANODE A
8	COM.ANODE	COM.CATH
9	CATH F	ANODE F
10	CATH G	ANODE G

NOTE:

PIN 3 & 8 ARE INTERNALLY CONNECTED



DataSheet4U.com