

**PLEASE CHECK WWW.MOLEX.COM FOR LATEST PART INFORMATION**

**Part Number:** [5008110010](#)  
**Status:** **Active**  
**Description:** Mini-HMC™ Rectangular Industrial Wire-to-Wire Cover, 40 Circuits, for Plug

**Documents:**

[3D Model](#) [Product Specification PS-500810-001 \(PDF\)](#)  
[Drawing \(PDF\)](#) [RoHS Certificate of Compliance \(PDF\)](#)

**General**

Product Family	I/O Connectors
Series	500811
Application	Panel-Mount, Wire-to-Wire
Component Type	Plug Shell Cover
Product Name	Mini-HMC™
Type	N/A

**Physical**

Boot Color	N/A
Circuits (Loaded)	N/A
Circuits (maximum)	40
Durability (mating cycles max)	50
Gender	Plug
Lock to Mating Part	Yes
Material - Metal	Aluminum, Stainless Steel, Steel
Material - Plating Mating	n/a
Number of Rows	0
Orientation	Vertical
PCB Locator	No
Packaging Type	Bag
Panel Mount	Screws
Pitch - Mating Interface (in)	0.000 In
Pitch - Mating Interface (mm)	0.00 mm
Polarized to Mating Part	Yes
Polarized to PCB	N/A
Ports	0
Surface Mount Compatible (SMC)	N/A
Temperature Range - Operating	-55°C to +105°C
Termination Interface: Style	N/A
Waterproof / Dustproof	Yes
Waterproof / Dustproof Type	IP65

**Electrical**

Current - Maximum per Contact	1.5A, 2.5A
Shield Type	Full Shield
Shielded	Yes
Voltage - Maximum	250V AC (RMS)/DC

**Material Info**

**Reference - Drawing Numbers**

Product Specification	PS-500810-001
Sales Drawing	SD-500811-001



*image - Reference only*

**EU RoHS**

**RoHS Compliant by Exemption**

**REACH SVHC**

Not Reviewed

**Halogen-Free**

Status

**Not Reviewed**

**Need more information on product environmental compliance?**

Email [productcompliance@molex.com](mailto:productcompliance@molex.com)  
 For a multiple part number RoHS Certificate of Compliance, [click here](#)

Please visit the [Contact Us](#) section for any non-product compliance questions.

**China RoHS**



**Search Parts in this Series**

500811Series

**Mates With**

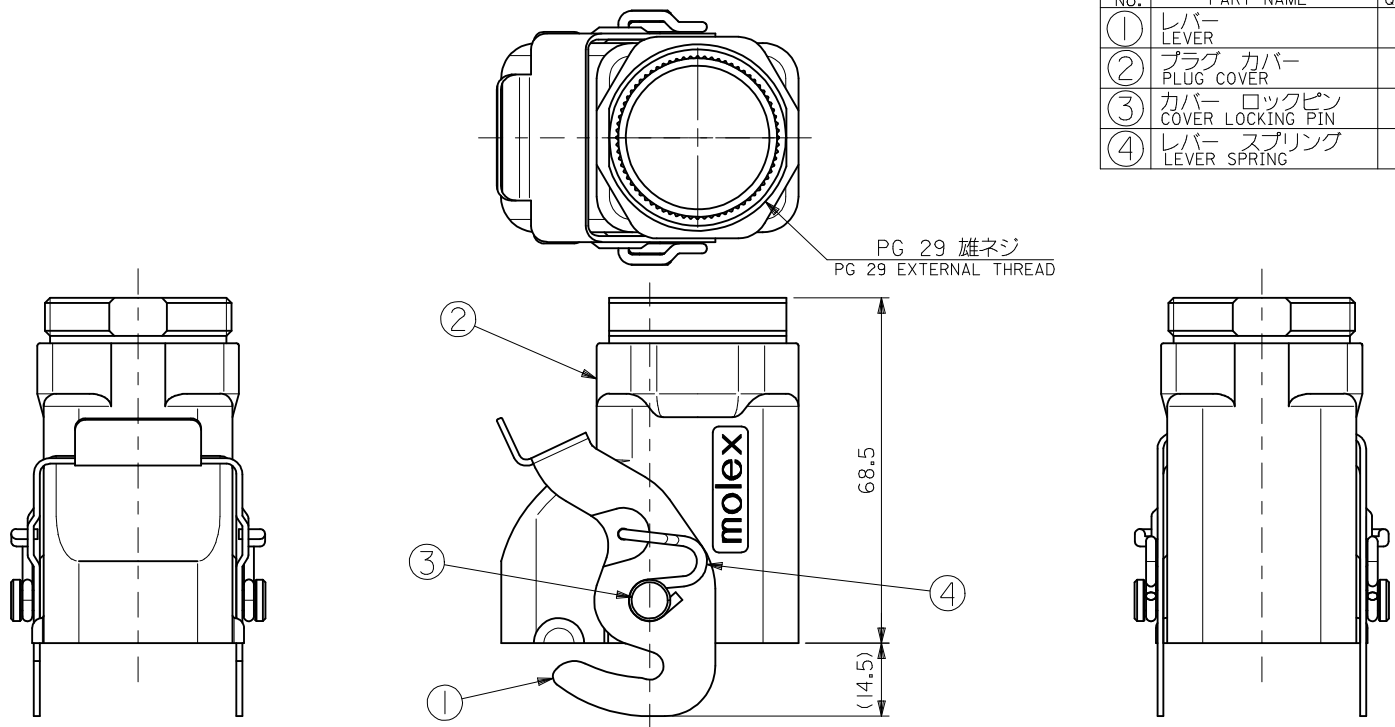
500809-0000 , 500809-0010

**Use With**

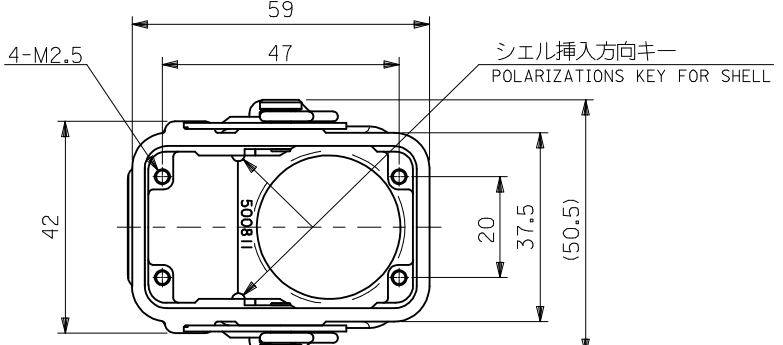
500812-1000 Plug, 500810-0000 Plug Shell, 500810-0010 Plug Shell

10 9 8 7 6 5 4 3 2 1

部番 No.	部品名 PART NAME	数量 QTY.	材質 MATERIAL	記事 ARTICLE
①	レバー LEVER	1	鋼 STEEL	塗装処理 PAINTING
②	プラグ カバー PLUG COVER	1	アルミニウム合金 ALUMINIUM ALLOY	—#—
③	カバー ロックピン COVER LOCKING PIN	2	ステンレス STEEL	—#—
④	レバー スプリング LEVER SPRING	2	ステンレス STEEL	—#—



- 注記 :  
NOTES.
- 適用プラグシェルアッセンブリ  
APPLICABLE PLUG SHELL ASS'Y  
1.) TYPE A : 500810-0000  
2.) TYPE B : 500810-0010
  - 適用エンドベルキャップセット  
APPLICABLE END BELL CAP SET  
58550-\*\*\*\*



500811-0010	500811-****
MATERIAL NO.	MODEL NO.

REVISED EC NO: J2009-0816 DRWN: YMAEDA CHKD: NUKITA APPR: NUKITA 2008/11/05 2008/12/19 2008/12/19 2008/12/19	GENERAL TOLERANCES (UNLESS SPECIFIED)		DIMENSION STYLE MM ONLY		SCALE ---	DESIGN UNITS METRIC	THIRD ANGLE PROJECTION
	10 UNDER	±0.2	DRAWN BY SAKIYAMA	DATE 2003/06/25	TITLE MINI ROBOT CONN. 40P STRAIGHT PLUG COVER ASS'Y		
	10 OVER 30 UNDER	±0.25	CHECKED BY JMIYAZAWA	DATE 2003/07/02	MOLEX INCORPORATED		
	30 OVER	±0.3	APPROVED BY YITO	DATE 2003/07/02	MATERIAL NO. SEE CHART	DOCUMENT NO. SD-500811-001	SHEET NO. 1 OF 2
ANGULAR ±3 °		DRAFT WHERE APPLICABLE MUST REMAIN WITHIN DIMENSIONS		THIS DRAWING CONTAINS INFORMATION THAT IS PROPRIETARY TO MOLEX INCORPORATED AND SHOULD NOT BE USED WITHOUT WRITTEN PERMISSION			

注記:  
NOTES:

関連図面

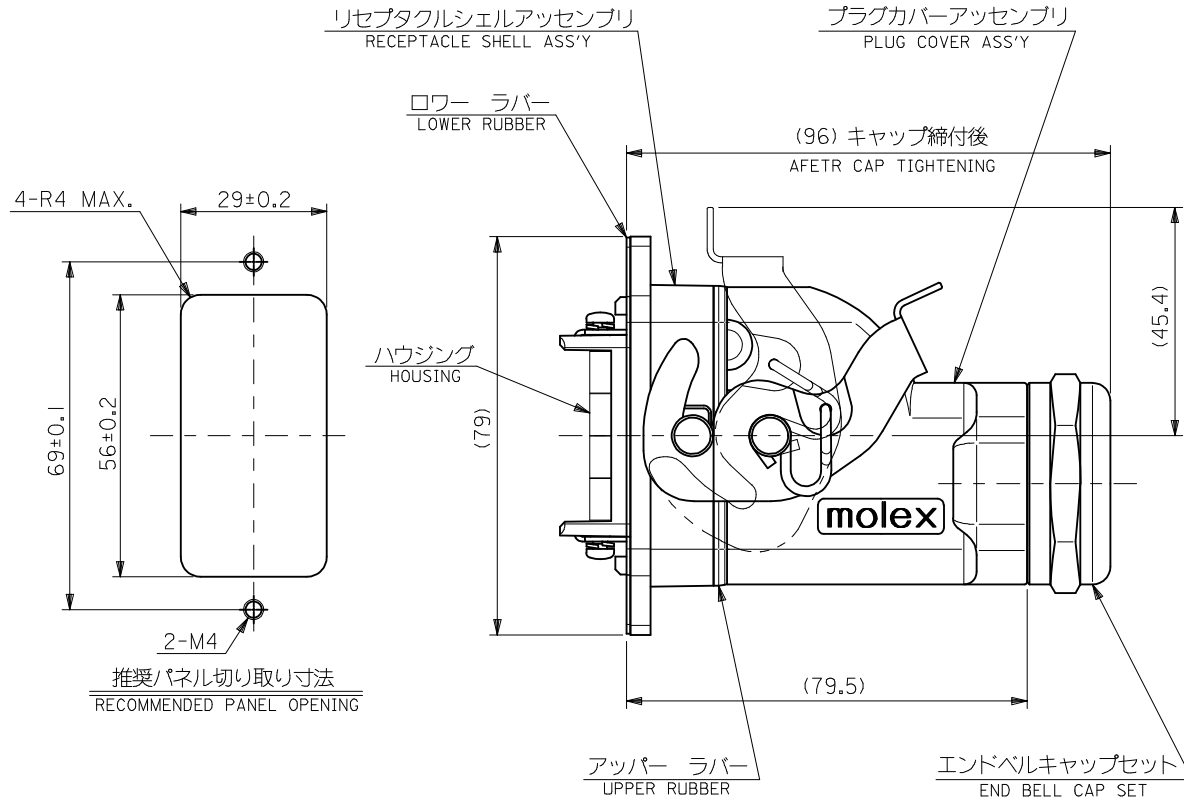
RELATION DRAWING

- ・リセプタクルシェルアッセンブリ : SD-500809-001  
RECEPTACLE SHELL ASS'Y
- ・プラグシェルアッセンブリ : SD-500810-001  
PLUG SHELL ASS'Y
- ・カバーアッセンブリ : SD-500811-001  
PLUG COVER ASS'Y
- ・エンドベルキャップセット : SD-58550-\*\*\*\*  
END BELL CAP SET
- ・ピンハウジング : SD-500812-001  
PIN HOUSING
- ・ソケットハウジング : SD-500813-001  
SOCKET HOUSING
- ・ターミナル (ピン) : SD-56118/56119-001  
TERMINAL (PIN)
- ・ターミナル (ソケット) : SD-56120/56121-002  
TERMINAL (SOCKET)

関連規格

RELATION NORMATIVE

- VDE0110 250V 汚染度 III  
過電圧カテゴリー II に適合  
APPLICABLE 250V POLLUTION DEGREE III  
AND OVER VOLTAGE CATEGORY II
- 保護等級 IP65  
DEGREE OF PROTECTION



REVISED EC NO: J2009-0816 DRWN: YMAEDA CHKD: NUKITA APPR: NUKITA	2008/11/05 2008/12/19 2008/12/19	GENERAL TOLERANCES (UNLESS SPECIFIED)		DIMENSION STYLE MM ONLY		SCALE ---	DESIGN UNITS METRIC	THIRD ANGLE PROJECTION		
		10 UNDER	±0.2	DRAWN BY	DATE	TITLE				
		10 OVER 30 UNDER	±0.25	SAKIYAMA	2003/06/25	MINI ROBOT CONN. 40P STRAIGHT PLUG COVER ASS'Y				
		30 OVER	±0.3	JMIYAZAWA	2003/07/02					
		ANGULAR ±3 °		APPROVED BY	DATE	MOLEX INCORPORATED				
DRAFT WHERE APPLICABLE MUST REMAIN WITHIN DIMENSIONS		YITO	2003/07/02							
		MATERIAL NO.	DOCUMENT NO.	SEE CHART		SD-500811-001		SHEET NO. 2 OF 2		
		SIZE A3	THIS DRAWING CONTAINS INFORMATION THAT IS PROPRIETARY TO MOLEX INCORPORATED AND SHOULD NOT BE USED WITHOUT WRITTEN PERMISSION							