

PLEASE CHECK WWW.MOLEX.COM FOR LATEST PART INFORMATION

Part Number: [5023510800](#)
Status: **Active**
Overview: [duraclik](#)
Description: 2.00mm (.079") Pitch DuraClik™ Wire-to-Board Receptacle Housing, Single Row, 8 Circuits

Documents:

[3D Model](#) [Product Specification PS-502351-001 \(PDF\)](#)
[Drawing \(PDF\)](#) [RoHS Certificate of Compliance \(PDF\)](#)

General

Product Family Crimp Housings
 Series [502351](#)
 Overview [duraclik](#)
 Product Name DuraClik™

Physical

Circuits (maximum) 8
 Color - Resin White
 Gender Receptacle
 Glow-Wire Compliant No
 Keying to Mating Part Yes
 Lock to Mating Part Yes
 Number of Rows 1
 Packaging Type Bag
 Panel Mount No
 Pitch - Mating Interface (in) 0.079 In
 Pitch - Mating Interface (mm) 2.00 mm
 Polarized to Mating Part Yes
 Temperature Range - Operating -40°C to +105°C

Electrical

Current - Maximum per Contact 3A

Material Info

Reference - Drawing Numbers

Packaging Specification [PK-502351-001](#)
 Product Specification [PS-502351-001](#), [RPS-502351-001](#)
 Sales Drawing [SD-502351-001](#)

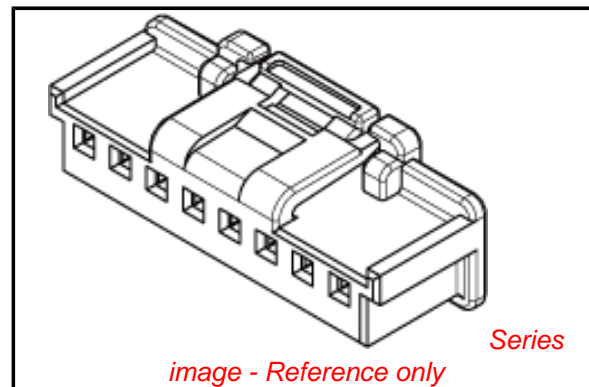


image - Reference only

EU RoHS

ELV and RoHS Compliant
REACH SVHC Contains SVHC: No
Halogen-Free Status

China RoHS



Need more information on product environmental compliance?

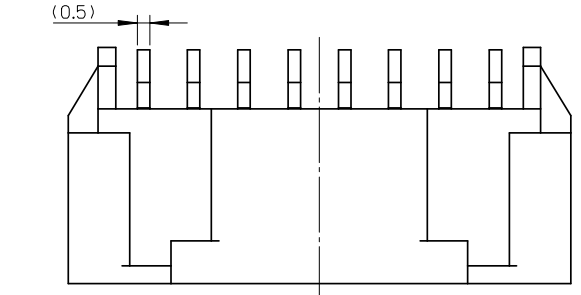
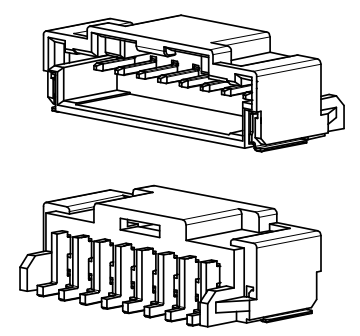
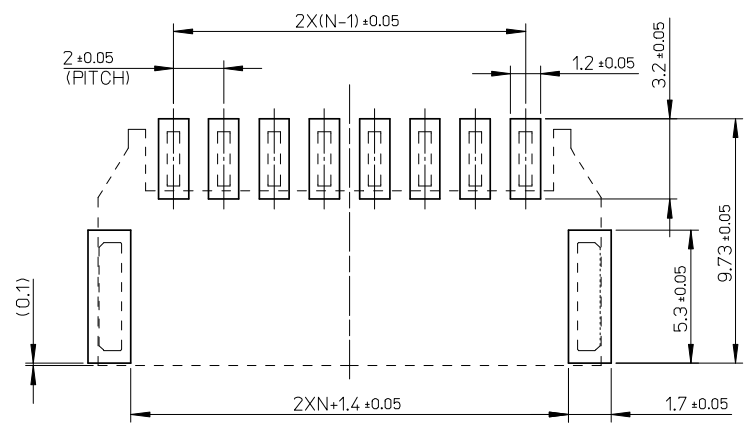
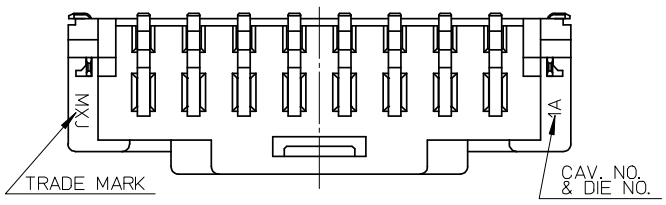
Email productcompliance@molex.com
 For a multiple part number RoHS Certificate of Compliance, [click here](#)

Please visit the [Contact Us](#) section for any non-product compliance questions.

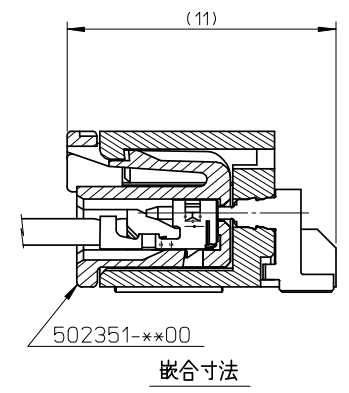
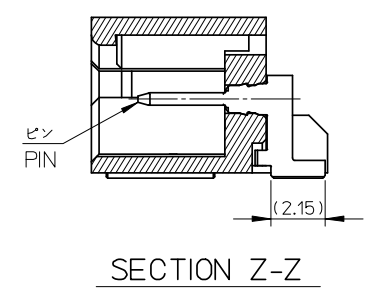
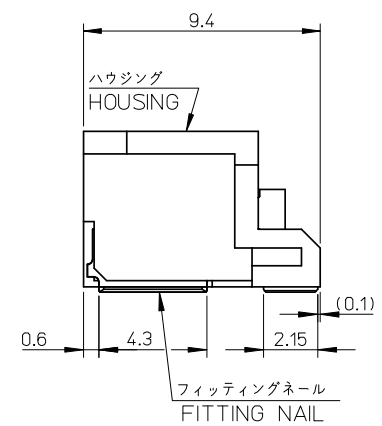
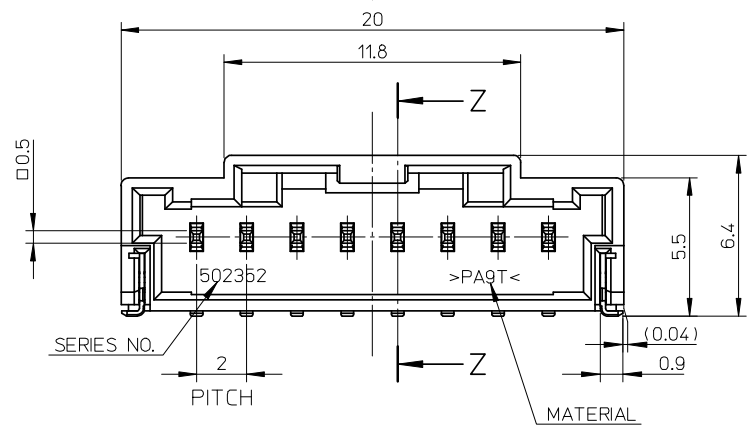
Search Parts in this Series
[502351Series](#)

Mates With
[502352](#) PCB Header

Use With
[50212](#) Crimp Terminal . [50372](#) Crimp Terminal



参考基板取り付け寸法(N=極数)



嵌合寸法

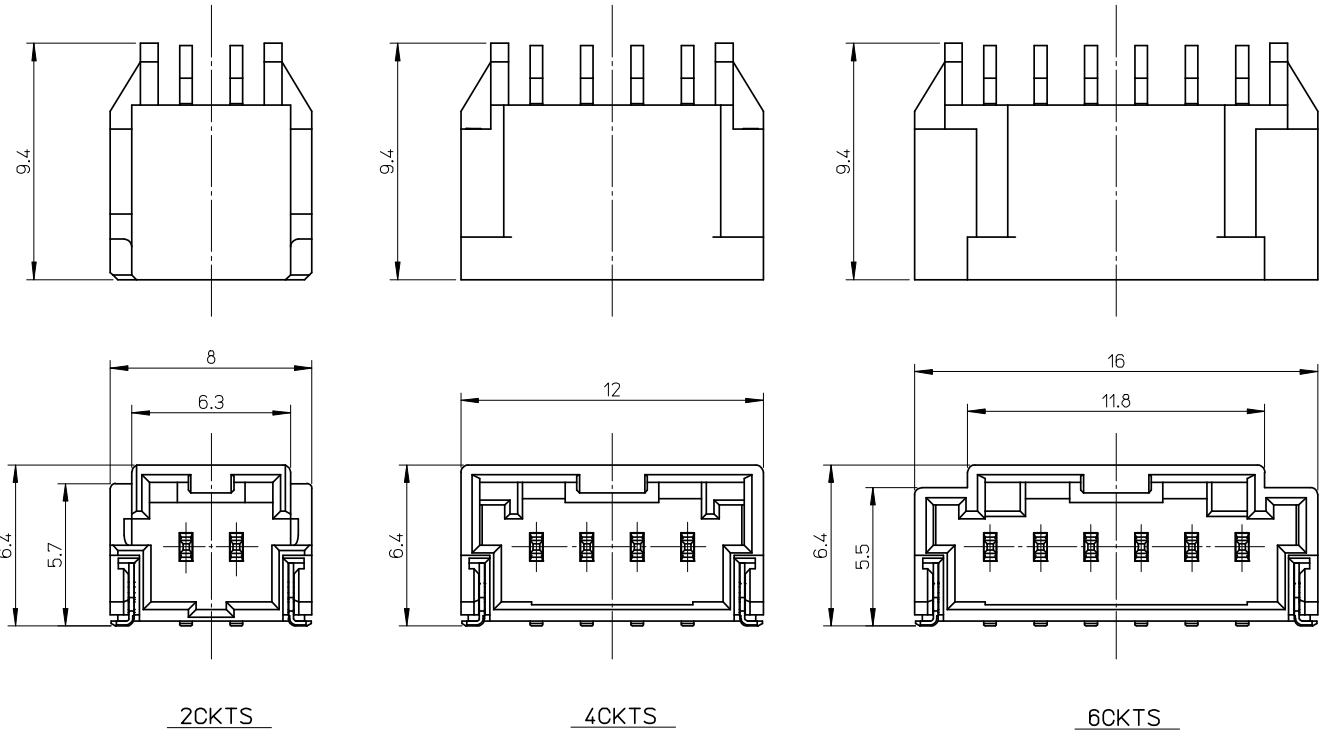
注記 NOTES

- 材質
ハウジング: 耐熱性ナイロン
ピン、フィッティングネール: 銅合金、ニッケル下地、錫メッキ
MATERIAL
HOUSING: POLYAMIDE
PIN, FITTING NAIL: COPPER ALLOY, TIN OVER NICKEL PLATE.
- 色: ナチュラル
COLOR: NATURAL
- 嵌合相手: 502351シリーズ
MATES WITH 502351 SERIES.
- エンボス梱包品の詳細はSD-502352-002参照
DETAILED TAPING PACKAGE, SEE SD-502352-002.
- ELV及びRoHS適合
ELV AND RoHS COMPLIANT

502352-0808	8
502352-0608	6
502352-0408	4
502352-0208	2
MATERIAL NO.	CKTS

RELEASED EC NO.: JTR2008-0007 DRWNSHSHIBATA 2008/01/23 CHKD:HKOMATSU 2008/01/23 APPR:AKANESHIGE 2008/01/23	DESCRIPTION	GENERAL TOLERANCES (UNLESS SPECIFIED)		DIMENSION STYLE MM ONLY		SCALE 5:1	DESIGN UNITS METRIC	THIRD ANGLE PROJECTION	
		10 UNDER	±0.2	DRAWN BY SHSHIBATA	DATE 2007/12/18	TITLE 2.0MM PITCH W/B CONN. WAFER ASSY R/A SMT			
		10 OVER 30 UNDER	±0.25	CHECKED BY HKOMATSU	DATE 2007/12/18	MOLEX INCORPORATED DOCUMENT NO. SD-502352-001 SHEET NO. 1 OF 2			
		30 OVER	±0.3	APPROVED BY AKANESHIGE	DATE 2007/12/18				
REV	ANGULAR ±3° DRAFT WHERE APPLICABLE MUST REMAIN WITHIN DIMENSIONS	SEE CHART		THIS DRAWING CONTAINS INFORMATION THAT IS PROPRIETARY TO MOLEX INCORPORATED AND SHOULD NOT BE USED WITHOUT WRITTEN PERMISSION					

10 9 8 7 6 5 4 3 2 1



2CKTS

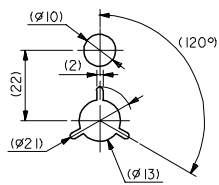
4CKTS

6CKTS

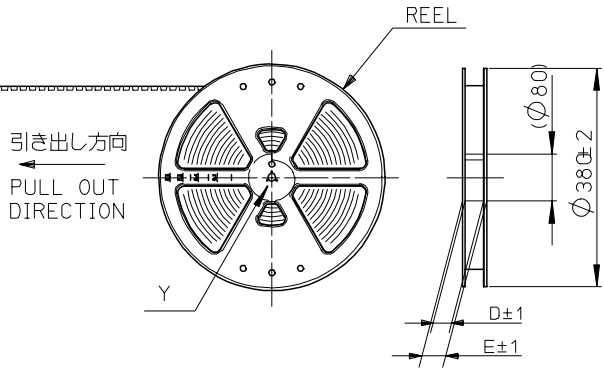
RELEASED EC NO: JTR2008-0007 DRWN: SHSHIBATA 2008/01/23 CHK'D: HKOMATSU 2008/01/23 APPR: AKANESHIGE 2008/01/23	GENERAL TOLERANCES (UNLESS SPECIFIED)		DIMENSION STYLE MM ONLY	SCALE 5:1	DESIGN UNITS METRIC	THIRD ANGLE PROJECTION
	10 UNDER	±0.2	DRAWN BY SHSHIBATA	DATE 2007/12/18	TITLE 2.0MM PITCH W/B CONN. WAFER ASSY R/A SMT	
	10 OVER 30 UNDER	±0.25	CHECKED BY HKOMATSU	DATE 2007/12/18		
	30 OVER	±0.3	APPROVED BY AKANESHIGE	DATE 2007/12/18	MOLEX INCORPORATED	
	ANGULAR ±3 °		MATERIAL NO.	DOCUMENT NO.		
DRAFT WHERE APPLICABLE MUST REMAIN WITHIN DIMENSIONS		SIZE A3	SEE CHART		SD-502352-001	2 OF 2

10 9 8 7 6 5 4 3 2 1

F
E
D
C
B
A

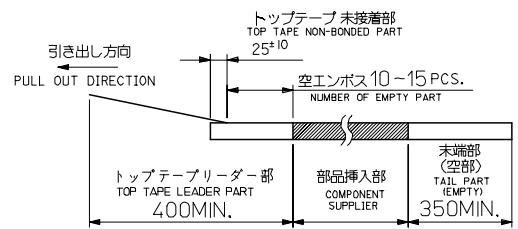
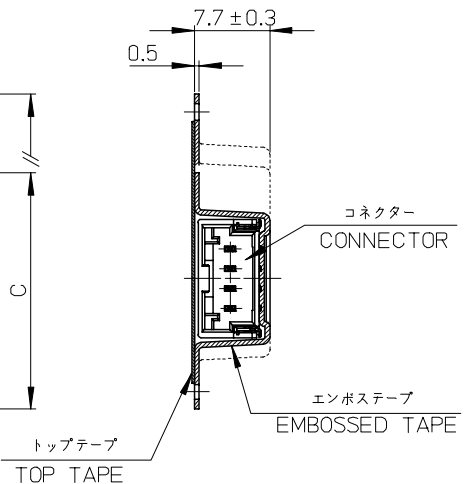
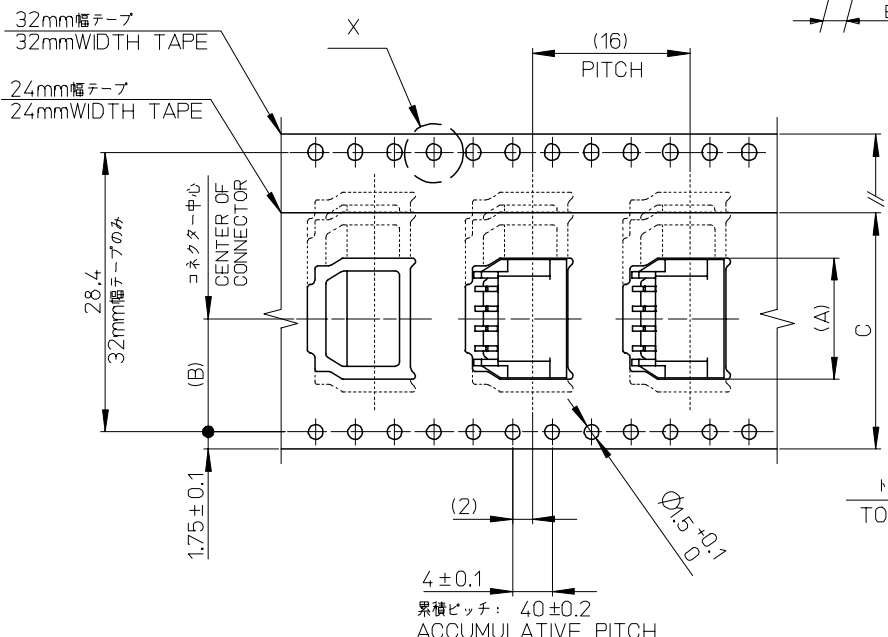


DETAIL Y



注記
NOTES

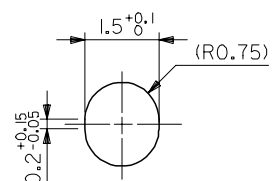
- 製品番号502352-**00 詳細寸法については、製品単体図面を参照下さい。
PART NO. 502352-**00 . SEE SALES DRAWING FOR CONNECTOR
- 梱包数量： 700個/リール
NUMBER OF CONNECTORS 700PCS/REEL
- リードテープ長さ
LEAD TAPE LENGHT



4. 材料

MATERIAL
 キャリアテープ: ポリスチレン
 CARRIER TAPE: POLYSTYRENE
 トップテープ: PET, PE, PEF
 TOP TAPE
 リール: ポリスチレン
 REEL: POLYSTYRENE

37.4	33.4	32	14.2	20.3	502352-0808	502352-0800	8
				16.3	502352-0608	502352-0600	6
29.4	25.4	24	11.5	12.3	502352-0408	502352-0400	4
				8.3	502352-0208	502352-0200	2
E	D	C	(B)	(A)	CONNECTOR	エンボス梱包品 製品番号 MATERIAL NO.	極数 CKT.



DETAIL X
(SCALE 10:1)

引き出し方向
PULL OUT DIRECTION

エンボステープ内の製品の向き
DIRECTION OF CONNECTOR
IN EMBOSSED TAPE

REVISED EC NO: J2008-0463 DRW:SHIBATA 2007/09/26 CHKD:KOMATSU 2007/09/27 APPR:AKANESHIGE 2007/09/27	GENERAL TOLERANCES (UNLESS SPECIFIED)		DIMENSION STYLE MM ONLY		SCALE ---	DESIGN UNITS METRIC	THIRD ANGLE PROJECTION
	10 UNDER	±0.2	DRAWN BY SHSHIBATA	DATE 2007/6/6	TITLE 2.0MM PITCH W/B CONN. WAFER ASSY EMBOSSED TAPE PACKAGE		
	10 OVER 30 UNDER	±0.25	CHECKED BY TAITO	DATE 2007/6/6	MOLEX INCORPORATED		
	30 OVER	±0.3	APPROVED BY AKANESHIGE	DATE 2007/6/6	DOCUMENT NO. SD-502352-002		
	ANGULAR	±1 °	MATERIAL NO.		SHEET NO. 1 OF 1		
A	DRAFT WHERE APPLICABLE MUST REMAIN WITHIN DIMENSIONS		SIZE A3		THIS DRAWING CONTAINS INFORMATION THAT IS PROPRIETARY TO MOLEX INCORPORATED AND SHOULD NOT BE USED WITHOUT WRITTEN PERMISSION		