

PLEASE CHECK WWW.MOLEX.COM FOR LATEST PART INFORMATION

Part Number: [0855635003](#)
Status: **Active**
Overview: [magnetic modular jacks](#)
Description: Modular Jack, Top Entry, Through Hole Intelligent Shunted, LCP 6/6

Documents:

[3D Model](#) [Product Specification PS-85563-002 \(PDF\)](#)
[Drawing \(PDF\)](#) [RoHS Certificate of Compliance \(PDF\)](#)

General

Product Family	Modular Jacks/Plugs
Series	85563
Comments	Top Entry
Component Type	PCB Jack
Magnetic	Yes
Overview	magnetic modular jacks
Performance Category	3
Power over Ethernet (PoE)	Non-PoE
Product Name	N/A

Physical

Boot Color	N/A
Color - Resin	Black
Durability (mating cycles max)	500
Inverted / Top Latch	No
Keying to Mating Part	N/A
Lightpipes/LEDs	None
Material - Metal	Brass
Material - Plating Mating	Gold
Material - Plating Termination	Tin
Material - Resin	High Temperature Thermoplastic
Orientation	Vertical (Top Entry)
PCB Locator	No
PCB Retention	Yes
PCB Thickness Recommended (in)	0.062 In
PCB Thickness Recommended (mm)	1.57 mm
Packaging Type	Tray
Panel Mount	N/A
Pitch - Mating Interface (in)	0.040 In
Pitch - Mating Interface (mm)	1.02 mm
Pitch - Term. Interface (in)	0.050 In
Pitch - Term. Interface (mm)	1.27 mm
Plating min: Mating (µin)	50.8
Plating min: Mating (µm)	1.27
Plating min: Termination (µin)	76
Plating min: Termination (µm)	1.9
Ports	1
Positions / Loaded Contacts	6/6
Surface Mount Compatible (SMC)	No
Temperature Range - Operating	-40°C to +80°C
Termination Interface: Style	Through Hole
Waterproof / Dustproof	No
Wire/Cable Type	N/A

Electrical

Current - Maximum per Contact	1.5A
-------------------------------	------

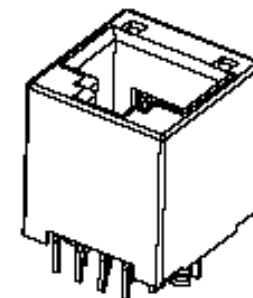


image - Reference only

Series

EU RoHS

**ELV and RoHS
Compliant**

REACH SVHC

Contains SVHC: No

Halogen-Free

Status

Not Reviewed

China RoHS



**Need more information on product
environmental compliance?**

Email productcompliance@molex.com
For a multiple part number RoHS Certificate of
Compliance, [click here](#)

Please visit the [Contact Us](#) section for any
non-product compliance questions.

Search Parts in this Series

85563Series

Mates With

FCC 68 Plugs [90075](#)

Grounding to PCB	No
Grounding to Panel	N/A
Shielded	No
Voltage - Maximum	125V AC (RMS)

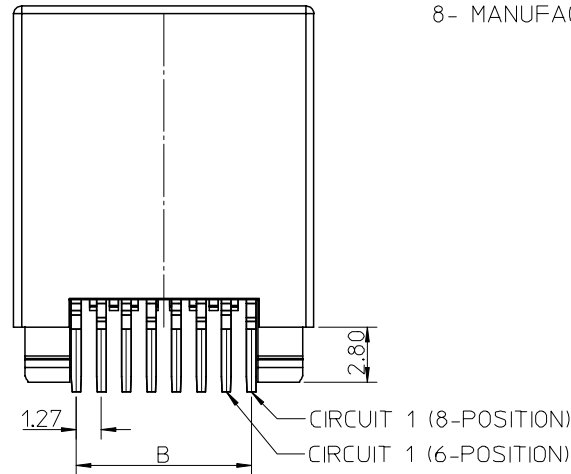
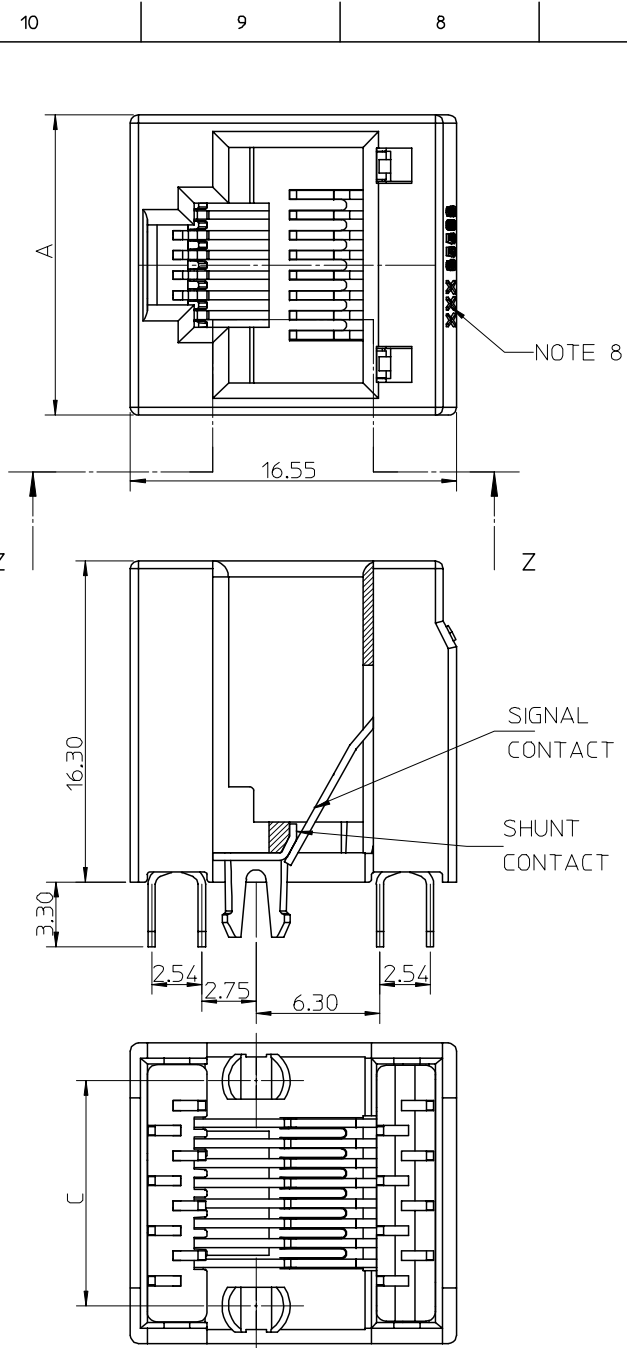
Material Info

Reference - Drawing Numbers

Packaging Specification	PK-95022
Product Specification	PS-85563-002
Sales Drawing	SD-85563-101

This document was generated on 05/26/2010

PLEASE CHECK WWW.MOLEX.COM FOR LATEST PART INFORMATION



NOTES:

1- MATERIAL:

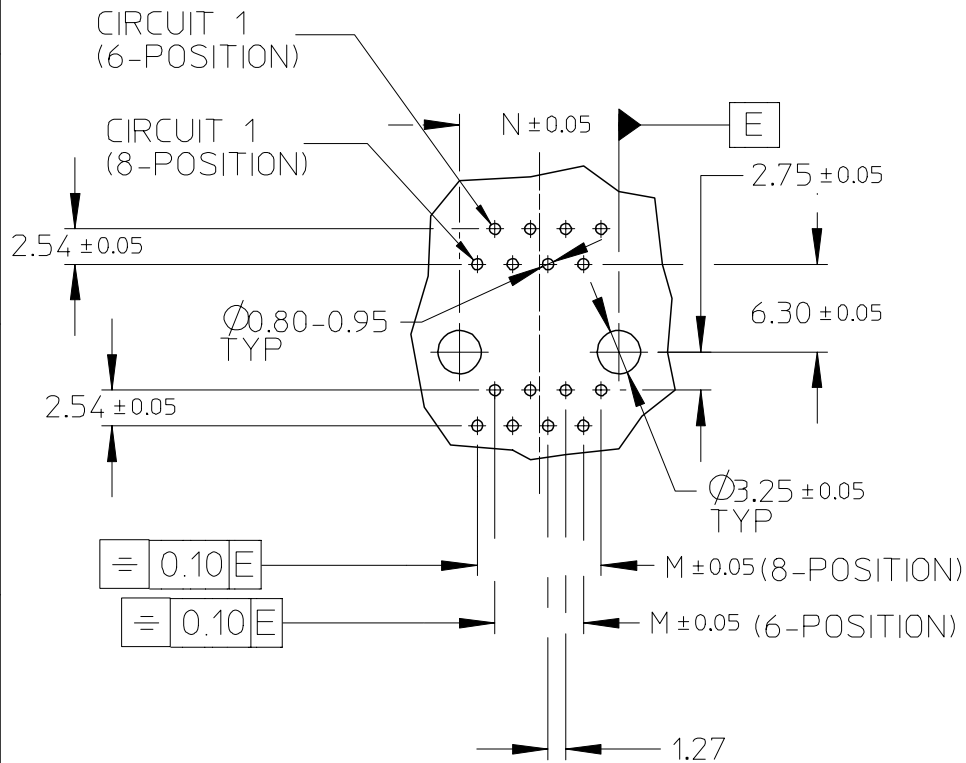
- HOUSING: LCP GLASS FILLED UL 94 V-0
COLOUR BLACK
- TERMINAL: TIN BRASS:
POST PLATE 0.00127-0.00152 GOLD IN CONTACT AREA
0.0019 MIN PURE TIN IN TAIL AREA BOTH OVER
0.00127 MIN NICKEL OVERALL.

- 2- PC BOARD THICKNESS: 1.57 (SEE LAYOUT SHEET 2)
- 3- JACK FOR MATING WITH F.C.C 68 PLUGS (90075 MOLEX SERIES)
- 4- PRODUCT SPECIFICATION: PS-85563-002
- 5- APPLICATION SPECIFICATION: AS-85513-001
- 6- PACKAGING SPECIFICATION: PF-95022. (TRAY PACKAGING)
- 7- FOR ILLUSTRATION PURPOSES A 8-CIRCUIT IS SHOWN.
- 8- MANUFACTURING I.D CAN BE MXF, MG OR MXI.

TYPE.	6 CKTS.	8 CKTS.
DIM		
A	13.21	15.24
B	6.35	8.89
C	10.16	11.43
PART No.	85563-5003	85563-5004

ORIGINAL LCP EC NO: E2008-0216 DRWN:DBYRNES 2007/11/14 CHKD: 2007/11/14 APPR:EOMAHONY 2007/11/14	QUALITY SYMBOLS	GENERAL TOLERANCES (UNLESS SPECIFIED)	DIMENSION STYLE MM ONLY	SCALE 4:1	DESIGN UNITS METRIC	THIRD ANGLE PROJECTION																																			
	$\nabla=0$ $\sphericalangle=0$	<table border="1"> <thead> <tr> <th></th> <th>mm</th> <th>INCH</th> </tr> </thead> <tbody> <tr> <td>4 PLACES</td> <td>± ---</td> <td>± ---</td> </tr> <tr> <td>3 PLACES</td> <td>± ---</td> <td>± ---</td> </tr> <tr> <td>2 PLACES</td> <td>± 0.25</td> <td>± ---</td> </tr> <tr> <td>1 PLACE</td> <td>± 0.35</td> <td>± ---</td> </tr> </tbody> </table>		mm	INCH	4 PLACES	± ---	± ---	3 PLACES	± ---	± ---	2 PLACES	± 0.25	± ---	1 PLACE	± 0.35	± ---	<table border="1"> <thead> <tr> <th>DRAWN BY</th> <th>DATE</th> <th>TITLE</th> </tr> </thead> <tbody> <tr> <td>DBYRNES</td> <td>2007/10/23</td> <td rowspan="2">TOP ENTRY THROUGH HOLE INTELLIGENT SHUNTED JACK LCP VERSION 6/6 AND 8/8</td> </tr> <tr> <td>CHECKED BY</td> <td>DATE</td> </tr> <tr> <td>EOMAHONY</td> <td>2007/10/24</td> <td rowspan="2">MOLEX INCORPORATED</td> </tr> <tr> <td>APPROVED BY</td> <td>DATE</td> </tr> <tr> <td>EOMAHONY</td> <td>2007/10/24</td> <td></td> </tr> </tbody> </table>	DRAWN BY	DATE	TITLE	DBYRNES	2007/10/23	TOP ENTRY THROUGH HOLE INTELLIGENT SHUNTED JACK LCP VERSION 6/6 AND 8/8	CHECKED BY	DATE	EOMAHONY	2007/10/24	MOLEX INCORPORATED	APPROVED BY	DATE	EOMAHONY	2007/10/24		<table border="1"> <thead> <tr> <th>MATERIAL NO.</th> <th>DOCUMENT NO.</th> <th>SHEET NO.</th> </tr> </thead> <tbody> <tr> <td></td> <td>SD-85563-101</td> <td>1 OF 2</td> </tr> </tbody> </table>	MATERIAL NO.	DOCUMENT NO.	SHEET NO.		SD-85563-101	1 OF 2
		mm	INCH																																						
	4 PLACES	± ---	± ---																																						
3 PLACES	± ---	± ---																																							
2 PLACES	± 0.25	± ---																																							
1 PLACE	± 0.35	± ---																																							
DRAWN BY	DATE	TITLE																																							
DBYRNES	2007/10/23	TOP ENTRY THROUGH HOLE INTELLIGENT SHUNTED JACK LCP VERSION 6/6 AND 8/8																																							
CHECKED BY	DATE																																								
EOMAHONY	2007/10/24	MOLEX INCORPORATED																																							
APPROVED BY	DATE																																								
EOMAHONY	2007/10/24																																								
MATERIAL NO.	DOCUMENT NO.	SHEET NO.																																							
	SD-85563-101	1 OF 2																																							
	DRAFT WHERE APPLICABLE MUST REMAIN WITHIN DIMENSIONS	SEE CHART																																							
			SIZE A3	THIS DRAWING CONTAINS INFORMATION THAT IS PROPRIETARY TO MOLEX INCORPORATED AND SHOULD NOT BE USED WITHOUT WRITTEN PERMISSION																																					

MOUNTING HOLE PATTERNS
(SEE FROM COMPONENT SIDE)



TYPE	6 CKTS.	8 CKTS.
DIM.		
M	6.35	8.89
N	10.16	11.43
Part-No.	85563-5003	85563-5004

ORIGINAL LCP EC NO: E2008-0216 DRWN:DBYRNES 2007/11/14 CHKD: 2007/11/14 APPR:EOMAHONY 2007/11/14 A	QUALITY SYMBOLS	GENERAL TOLERANCES (UNLESS SPECIFIED)		DIMENSION STYLE MM ONLY		SCALE 2:1	DESIGN UNITS METRIC	THIRD ANGLE PROJECTION
	▼=0 □=0	4 PLACES	± ---	± ---	DRAWN BY DBYRNES	DATE 2007/10/23	TITLE TOP ENTRY THROUGH HOLE INTELLIGENT SHUNTED JACK LCP VERSION 6/6 AND 8/8	
		3 PLACES	± ---	± ---	CHECKED BY EOMAHONY	DATE 2007/10/24	MOLEX INCORPORATED	
		2 PLACES	± 0.25	± ---	APPROVED BY EOMAHONY	DATE 2007/10/24	DOCUMENT NO. SD-85563-101	SHEET NO. 2 OF 2
		1 PLACE	± 0.35	± ---	MATERIAL NO. SEE CHART		THIS DRAWING CONTAINS INFORMATION THAT IS PROPRIETARY TO MOLEX INCORPORATED AND SHOULD NOT BE USED WITHOUT WRITTEN PERMISSION	
		ANGULAR ± 2 °		DRAFT WHERE APPLICABLE MUST REMAIN WITHIN DIMENSIONS				