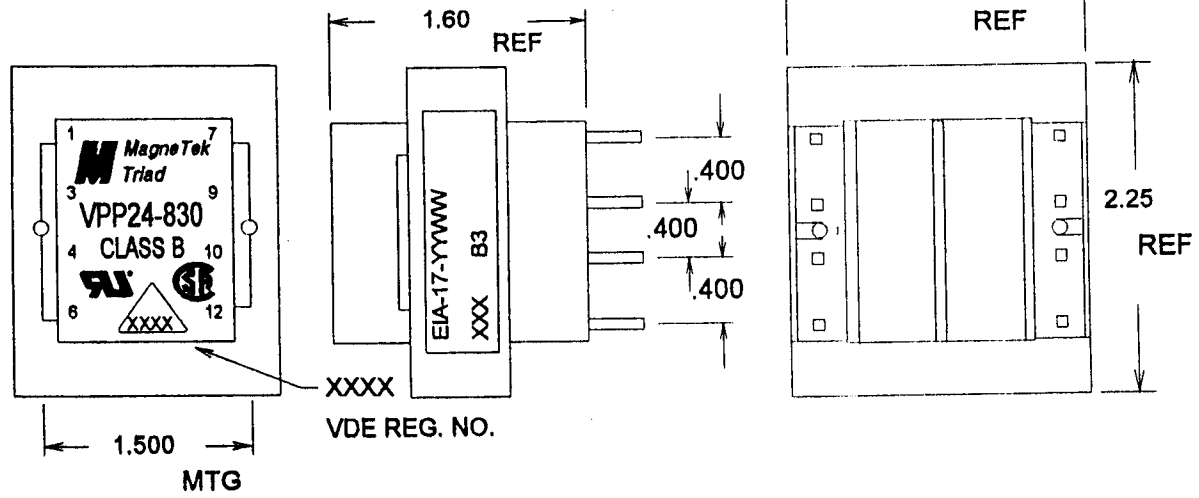


TOLERANCE UNLESS SPECIFIED = .XXX= +/- .005 .XX= +/- .015 FRACTIONS= +/- .032

24-830.DC2



## PRODUCTION TESTS

TURNS RATIO = 100%		
DC RESISTANCE IN OHMS	1-3 =	77 NOM
	4-6 =	90 NOM
	7-9 =	1.18 NOM
	10-12 =	1.4 NOM

MAX EXCITATION CURRENT = 0.030 A  
 APPLY 230V 60HZ 1-6 (3+4)  
 PRI WDGS 114.5 TO 115.5 V  
 SEC WDGS 14.1 TO 14.8 V

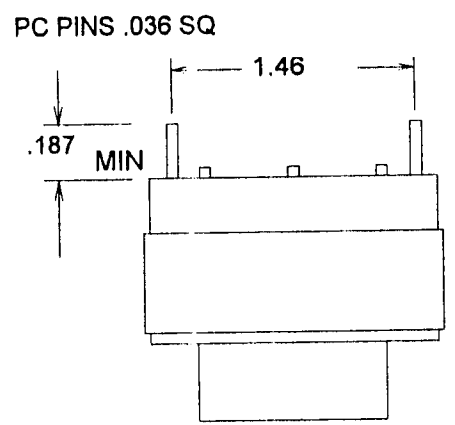
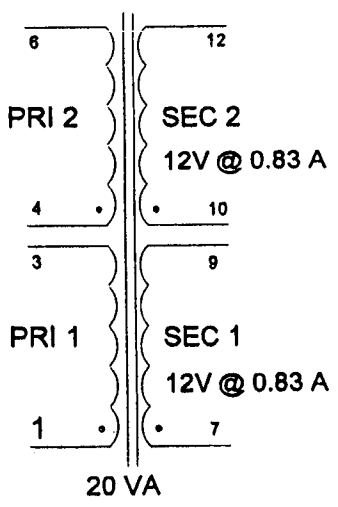
HIPOT: 4000V P-S  
 4000V P,S, TO CORE  
 600V P-P, S-S

IMPREGNATION NOTES: PREHEAT 2 HRS  
 PINS TO BE FREE OF IMPREGNATION.

## FINAL ASSEMBLY NOTES

**MagneTek**

**VPP24-830**



**METHOD** 1 X 1  
 LEAVE OFF LAST "I" PCS

**MARKING** SEE LABEL DETAIL ABOVE  
 APPLY PART NO. LABEL AFTER IMPREGNATION