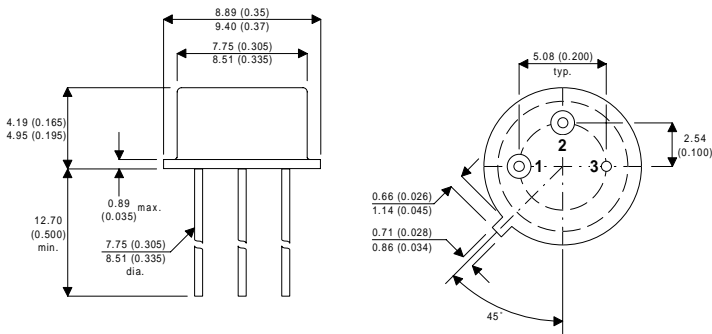


MECHANICAL DATA

Dimensions in mm



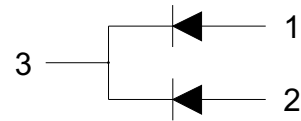
**DUAL COMMON CATHODE
SCHOTTKY BARRIER
RECTIFIER IN A
LOW PROFILE
HERMETIC TO39 PACKAGE**

FEATURES

- Hermetic Low Profile TO39
- $V_{RRM} = 150V$
- $I_{AV} = 6A$
- Low Forward Voltage
- Fast Reverse Recovery Time
- Screening Options Available

TO39 PACKAGE

1 = Anode1 2 = Anode 2 3 = Cathode 1, Cathode 2



ABSOLUTE MAXIMUM RATINGS ($T_{case} = 25^{\circ}C$ unless otherwise stated)

V_{RRM}	Maximum Repetitive Peak Reverse Voltage	150V
V_{RMS}	Maximum RMS Voltage	105V
V_{dc}	Maximum DC Blocking Voltage	150V
V_{pk}	Minimum Reverse Breakdown Voltage	160V
I_{AV}	Maximum Average DC Output Current (75°C)	6A
I_{FSM}	Non Repetitive Forward Surge Current (8.3ms)	125A
T_{stg}	Storage Temperature Range	- 55 to +175°C
T_j	Maximum Operating Junction Temperature	- 65 to +150°C
$R_{\theta JC}$	Thermal Resistance (Junction-Case)	TBA

ELECTRICAL CHARACTERISTICS

Parameter	Test Conditions	Min.	Typ.	Max.	Unit
V_F	Forward Voltage			1.0	V
I_R	Reverse Current	$I_F = 4A$	$T = 25^{\circ}C$	5	μA
		$V_R = 150V$	$T = 100^{\circ}C$	150	
t_{rr}	Maximum Reverse Recovery Time	$I_F = 1A$	$I_R = 1A$	30	ns
t_f	Forward Recovery Time	$I_F = 1A$ recovery to 1V		15	ns
C_j	Typical Junction Capacitance			45	pF