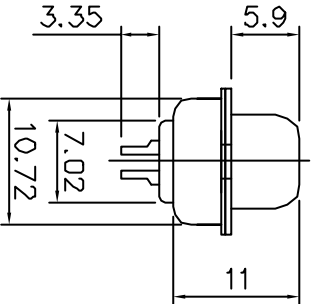
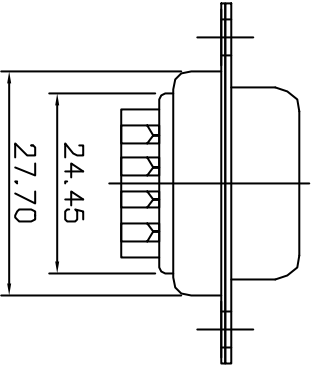
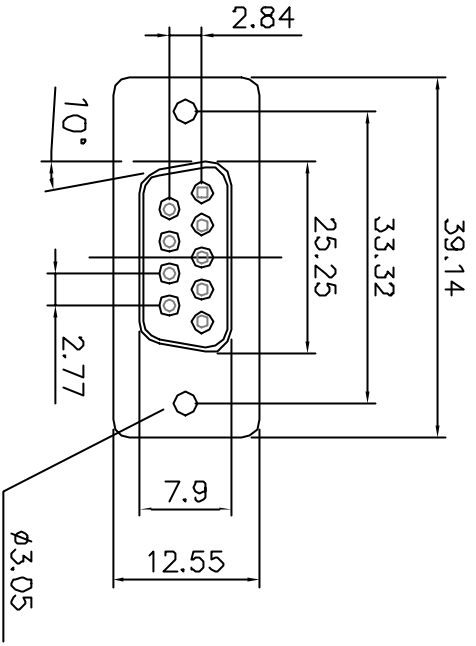


This document is the property of Amphenol Corporation and is delivered on the express condition that it is not to be disclosed, reproduced or used, in whole or in part, for the manufacture or sale by anyone other than Amphenol Corporation without its prior consent, and that no right is granted in disclosure or to use any trademark in this document.

FEMALE

Specifications

Contact Resistance: 30m ohms max. at DC 100mA
 Insulator Resistance: 1000M ohms min. at DC 500V
 Current Rating: 5 AMP
 Dielectric Withstanding
 Voltage: AC 1000V For 1 minute
 Operating Temperature: -55°C ~ +105°C
 Shell : steel, tin plated
 Contact: Brass
 Plating mating area = Selective gold over 50" Ni
 Tails = Tin over 50" Ni
 Housing: PBT & 30% Glass Fiber (UL 94V-0)



Drawing number	Contact plating
L 77SDA15S	Gold flash
L 177SDA15S	.15µ inches
L 77SDA15SC309	.30µ inches

TOLERANCE n/in	APPROVALS	DATE	TITLE
X.X	DRMAN	14/11/01	SD SERIES D-SUB CONNECTOR SOLDER CUP SOCKET
X.X	CR	14/11/01	
X.X	APPROVED	14/11/01	
X.X	DA	14/11/01	AMPHENOL AMPHENOL SOCAPEX Dole Plant
UNLESS OTHERWISE SPECIFIED		UNIT	SCALE N.A.
		MMI	Sheet 1 of 1
		SIZE	REV.
		A4	A
		FORM	
		L	
		-77SDA15S----	