

General Accessories

Transformers

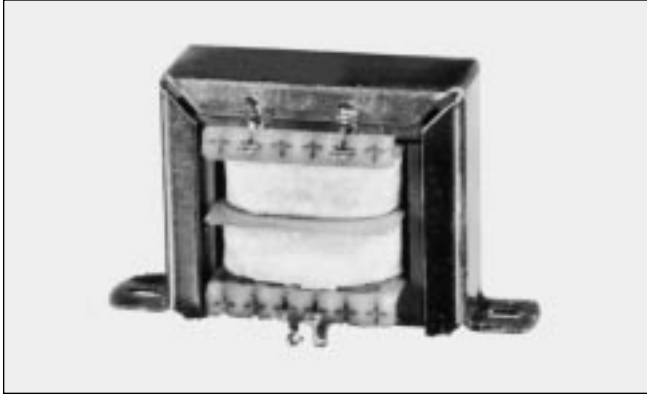
Type ST



Transformer type ST 012

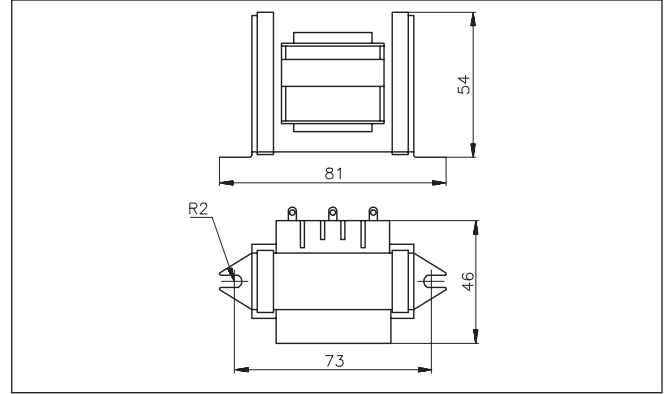
Where equipment needs a power supply differing from that of the mains, a transformer can be used to give a suitable alternating voltage.

ST 012



Primary circuit
Secondary circuit

220 or 380 VAC.
24 VAC, 0.5 A



Transformer types ST 024, ST 050, ST 100

ST 024
ST 050
ST 100



Primary circuit
Secondary circuit

220 or 380 VAC.
ST 024 24 VAC, 1 A
ST 050 24 VAC, 2 A
ST 100 24 VAC, 4 A

