

PLEASE CHECK WWW.MOLEX.COM FOR LATEST PART INFORMATION

Part Number: [0019092068](#)
Status: **Active**
Overview: [standard_093](#)
Description: 2.36mm (.093") Diameter Standard .093" Pin and Socket Plug Housing With Positive Latch, UL 94V-2, Panel Mount, 6 Circuits

Documents:

[3D Model](#) [Drawing \(PDF\)](#)
[Packaging Specification \(PDF\)](#) [RoHS Certificate of Compliance \(PDF\)](#)

Agency Certification

CSA LR19980
TUV R72081037
UL E29179

General

Product Family Crimp Housings
Series [3191](#)
Comments Polarized to Mating Part, With Mounting Ears
Overview [standard_093](#)
Product Name Standard .093"

Physical

Breakaway No
Circuits (maximum) 6
Circuits Detail 2x3
Color - Resin Natural
Flammability 94V-2
Gender Dual
Glow-Wire Compliant No
Keying to Mating Part None
Lock to Mating Part Yes
Material - Resin Nylon
Number of Rows 2
Packaging Type Bag
Panel Mount Yes
Pitch - Mating Interface (in) 0.264 In
Pitch - Mating Interface (mm) 6.71 mm
Polarized to Mating Part Yes
Stackable No
Temperature Range - Operating -40°C to +105°C

Electrical

Current - Maximum per Contact 9A

Material Info

Old Part Number 3191-6P

Reference - Drawing Numbers

Packaging Specification PK-3191-001
Sales Drawing SD-3191-6*

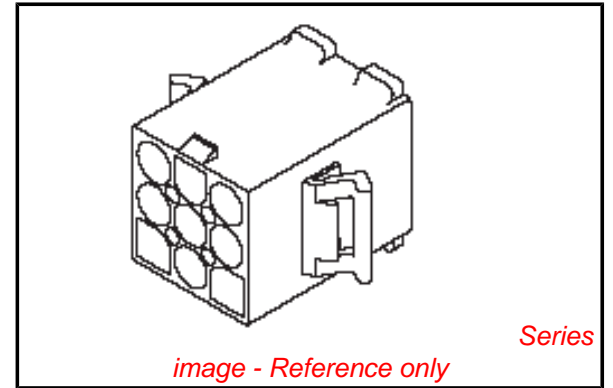


image - Reference only

EU RoHS

ELV and RoHS Compliant
REACH SVHC Contains SVHC: No
Halogen-Free Status
Not Reviewed

China RoHS



Need more information on product environmental compliance?

Email productcompliance@molex.com
For a multiple part number RoHS Certificate of Compliance, [click here](#)

Please visit the [Contact Us](#) section for any non-product compliance questions.

Search Parts in this Series

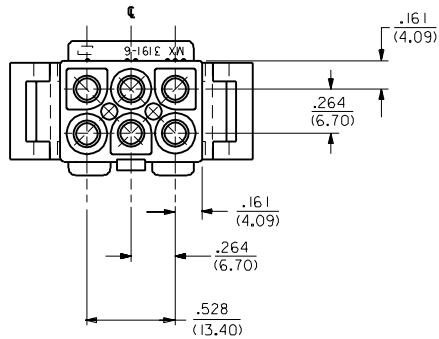
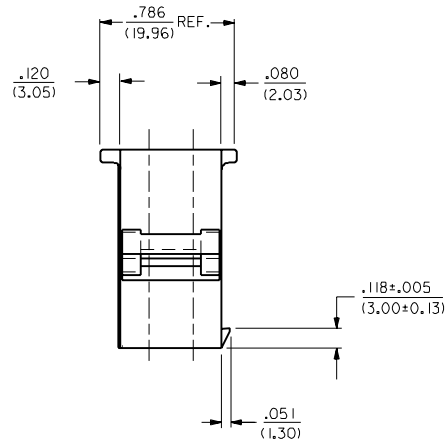
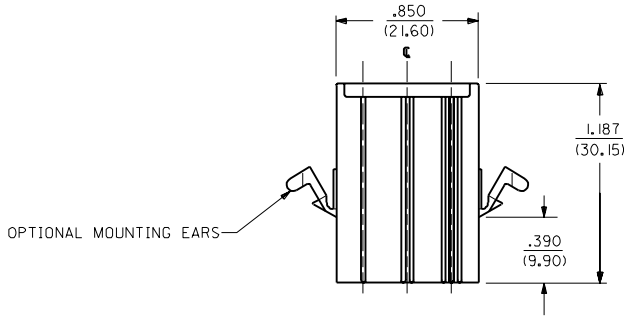
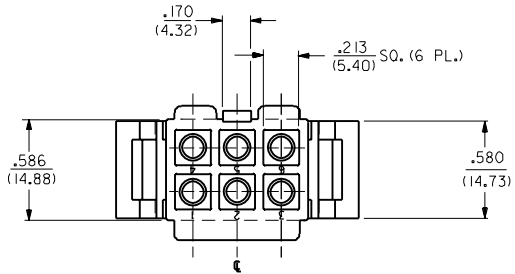
[3191Series](#)

Mates With

[3191](#) Pin and Socket Rectacle, [5219](#) Vertical PCB Header

Use With

[1189](#) Crimp Terminals, [1190](#) Crimp Terminals, [1380](#) Male Crimp Terminals, [1381](#) Female Crimp Terminals, [1433](#) Crimp Terminals, [1434](#) Male Crimp Terminals, [2605](#) , [2606](#) , [1973](#) , [2151](#) , [2273](#) , [2870](#) , [2871](#) , [4272](#) , Lin



PLUG

MI	ADD RAMP LENGTH ECN #U4 0293 3-1-94 RW
M	REVISED PER ECR # U90659 KBW 07-25-89 RW
L	ADDED STANDOFFS PER ECR UB 2271 GEP 11-30-88 RW
K	REV. & FINAL REL. ECR UB 1710 GEP 7-14-88 RW
J	REVISED & REDRAWN PER ECR UB 0122 2-2-88 SCHAFFER
MFG.	SH. REV. LTR. REVISIONS

DIMENSIONS SHOWN METRIC (INCH)		▽ = 0	▼ = 0	REVISE ONLY ON CAD SYSTEM
UNLESS OTHERWISE SPECIFIED TOLERANCES ANGULAR ± .04°		TITLE		
INCH METRIC		.093/(2.36) HOUSING PLUG AND RECEPTACLE 6 CKT. .264/(6.70) CTRS.		
3 PLACE ± .010	---	MOLEX INCORPORATED SHEET NO. DATE L15LEJLL. 60532 U.S.A. 1 OF 3 1/25/88		
2 PLACE ± .014	± 0.25	PART NO. DRWG. NO.		
1 PLACE ---	± 0.36	SEE CHART SD-3191-6*		
DRAFT WHERE APPLICABLE MUST REMAIN WITHIN DIMENSIONS		FILE NAME S31916.X1 1/25/88		
DRWG. BY: JUS	CHKD. BY: RW	THIS DRAWING CONTAINS INFORMATION THAT IS PROPRIETARY TO MOLEX INC. AND SHOULD NOT BE USED WITHOUT WRITTEN PERMISSION.		
APP'D. RAS	SCALE 2 : 1	SIZE CP C		

13 12 11 10 9 8 7 6 3191 4 3 2 1

PLUG		RECEPTACLE	
PART NO.	ENG. NO.	PART NO.	ENG. NO.
19-09-2068	3191-6P	19-09-1069	3191-6R1
19-09-2069	3191-6P1	19-09-1066	3191-6R1-201
19-09-2067	3191-6P-201	19-09-6060	3191-6R IRD
19-09-2066	3191-6P1-201	19-09-6069	3191-6R IBK
19-09-7069	3191-6PRD		
19-09-7068	3191-6PBK		

LEGEND:

3191-6****-*

CIRCUIT SIZE

P = PLUG

R = RECEPTACLE

EARS: BLANK = WITH PREBENT EARS (PLUG ONLY)

I = WITHOUT EARS

COLOR: BLANK = NATURAL COLOR

AM=AMBER BK=BLACK BU=BLUE

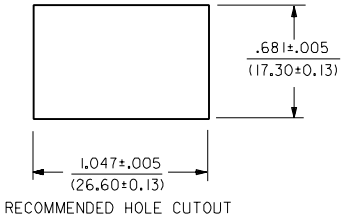
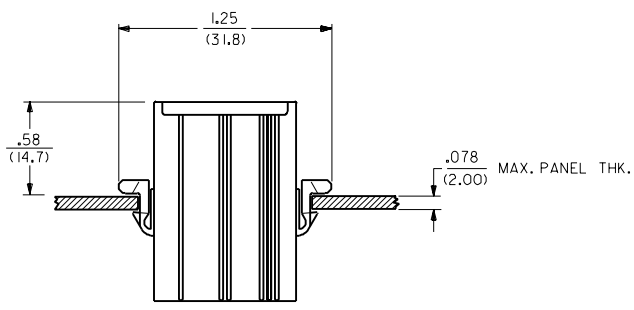
BN=BROWN GY=GRAY GN=GREEN

OR=ORANGE RD=RED YW=YELLOW

COLORS AVAILABLE ONLY IN 94V-2 MATERIAL

MATERIAL: BLANK=NYLON TYPE 6/6, 94V-2

201=NYLON TYPE 6/6, 94V-0



MOUNTING HOLE DETAIL

3191

J
I
H
G
F
E
D
C
B
A

J
I
H
G
F
E
D
C
B
A

DIMENSIONS SHOWN (METRIC) INCH		UNLESS OTHERWISE SPECIFIED TOLERANCES ANGLES ARE ± DPM		REVISIONS		REVISIONS		REVISIONS		REVISIONS		REVISIONS		REVISIONS		REVISIONS		REVISIONS		REVISIONS			
3 PLACE	± .010	---		M	SEE SHEET 1	L	SEE SHT. 1	K	SEE SHT. 1	J	SEE SHT. 1	DRAWING INFORMATION		DRAWING INFORMATION		DRAWING INFORMATION		DRAWING INFORMATION		DRAWING INFORMATION		DRAWING INFORMATION	
2 PLACE	± .014	± 0.25		DRAWING INFORMATION		DRAWING INFORMATION		DRAWING INFORMATION		DRAWING INFORMATION		DRAWING INFORMATION		DRAWING INFORMATION		DRAWING INFORMATION		DRAWING INFORMATION		DRAWING INFORMATION		DRAWING INFORMATION	
1 PLACE	---	± 0.36		DRAWING INFORMATION		DRAWING INFORMATION		DRAWING INFORMATION		DRAWING INFORMATION		DRAWING INFORMATION		DRAWING INFORMATION		DRAWING INFORMATION		DRAWING INFORMATION		DRAWING INFORMATION		DRAWING INFORMATION	
DRAFT WHERE APPLICABLE MUST REMAIN WITHIN DIMENSIONS				DRAWING INFORMATION		DRAWING INFORMATION		DRAWING INFORMATION		DRAWING INFORMATION		DRAWING INFORMATION		DRAWING INFORMATION		DRAWING INFORMATION		DRAWING INFORMATION		DRAWING INFORMATION		DRAWING INFORMATION	
DRAWN BY: JUS		CHK'D BY: RW		DRAWING INFORMATION		DRAWING INFORMATION		DRAWING INFORMATION		DRAWING INFORMATION		DRAWING INFORMATION		DRAWING INFORMATION		DRAWING INFORMATION		DRAWING INFORMATION		DRAWING INFORMATION		DRAWING INFORMATION	
APP'D BY: RAS		SCALE: --:--		DRAWING INFORMATION		DRAWING INFORMATION		DRAWING INFORMATION		DRAWING INFORMATION		DRAWING INFORMATION		DRAWING INFORMATION		DRAWING INFORMATION		DRAWING INFORMATION		DRAWING INFORMATION		DRAWING INFORMATION	
FILE NAME: S31916X3.DGN		SCALE: --:--		DRAWING INFORMATION		DRAWING INFORMATION		DRAWING INFORMATION		DRAWING INFORMATION		DRAWING INFORMATION		DRAWING INFORMATION		DRAWING INFORMATION		DRAWING INFORMATION		DRAWING INFORMATION		DRAWING INFORMATION	
SEE CHART		SD-3191-6*		DRAWING INFORMATION		DRAWING INFORMATION		DRAWING INFORMATION		DRAWING INFORMATION		DRAWING INFORMATION		DRAWING INFORMATION		DRAWING INFORMATION		DRAWING INFORMATION		DRAWING INFORMATION		DRAWING INFORMATION	
MOLEX INCORPORATED		60532		DRAWING INFORMATION		DRAWING INFORMATION		DRAWING INFORMATION		DRAWING INFORMATION		DRAWING INFORMATION		DRAWING INFORMATION		DRAWING INFORMATION		DRAWING INFORMATION		DRAWING INFORMATION		DRAWING INFORMATION	
LITTLE, J.L.L.		U.S.A.		DRAWING INFORMATION		DRAWING INFORMATION		DRAWING INFORMATION		DRAWING INFORMATION		DRAWING INFORMATION		DRAWING INFORMATION		DRAWING INFORMATION		DRAWING INFORMATION		DRAWING INFORMATION		DRAWING INFORMATION	
SHEET NO. 3		DATE 1/22/88		DRAWING INFORMATION		DRAWING INFORMATION		DRAWING INFORMATION		DRAWING INFORMATION		DRAWING INFORMATION		DRAWING INFORMATION		DRAWING INFORMATION		DRAWING INFORMATION		DRAWING INFORMATION		DRAWING INFORMATION	
THIS DRAWING CONTAINS INFORMATION THAT IS PROPRIETARY TO MOLEX INC. AND SHOULD NOT BE USED WITHOUT WRITTEN PERMISSION		CP		DRAWING INFORMATION		DRAWING INFORMATION		DRAWING INFORMATION		DRAWING INFORMATION		DRAWING INFORMATION		DRAWING INFORMATION		DRAWING INFORMATION		DRAWING INFORMATION		DRAWING INFORMATION		DRAWING INFORMATION	

13 12 11 10 9 8 7 6 5 4 3 2 1