

PLEASE CHECK WWW.MOLEX.COM FOR LATEST PART INFORMATION

Part Number: [0353630860](#)
Status: **Active**
Overview: [sherlock](#)
Description: 2.00mm (.079") Pitch Sherlock™ Wire-to-Board Header, Right Angle, with Positive Lock, 8 Circuits, Lead-free

Documents:

[3D Model](#) [Product Specification PS-35507-003 \(PDF\)](#)
[Drawing \(PDF\)](#) [RoHS Certificate of Compliance \(PDF\)](#)

General

Product Family	PCB Headers
Series	35363
Application	Wire-to-Board
MolexKits	Yes
Overview	sherlock
Product Name	Sherlock™

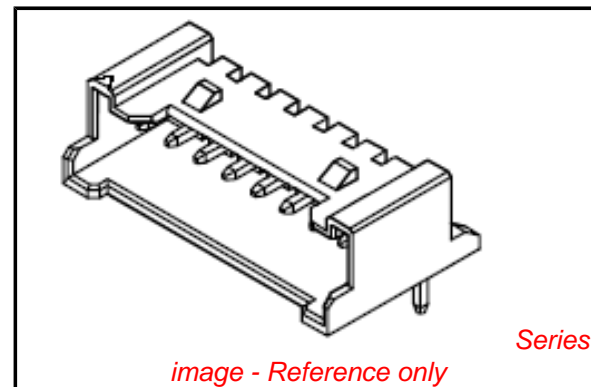
Physical

Breakaway	No
Circuits (Loaded)	8
Circuits (maximum)	8
Color - Resin	Natural
Durability (mating cycles max)	30
First Mate / Last Break	No
Glow-Wire Compliant	No
Guide to Mating Part	No
Keying to Mating Part	None
Lock to Mating Part	Yes
Material - Plating Mating	Tin
Material - Plating Termination	Tin
Material - Resin	Nylon
Number of Rows	1
Orientation	Right Angle
PC Tail Length (in)	0.126 In
PC Tail Length (mm)	3.20 mm
PCB Locator	No
PCB Retention	Yes
PCB Thickness Recommended (in)	0.062 In
PCB Thickness Recommended (mm)	1.60 mm
Packaging Type	Bag
Pitch - Mating Interface (in)	0.079 In
Pitch - Mating Interface (mm)	2.00 mm
Polarized to Mating Part	Yes
Polarized to PCB	No
Shrouded	Partial
Stackable	No
Surface Mount Compatible (SMC)	No
Temperature Range - Operating	-40°C to +105°C
Termination Interface: Style	Through Hole

Electrical

Current - Maximum per Contact	2A
Voltage - Maximum	125V

Material Info



EU RoHS

ELV and RoHS Compliant
REACH SVHC
 Not Reviewed
Halogen-Free Status

China RoHS



Need more information on product environmental compliance?

Email productcompliance@molex.com
 For a multiple part number RoHS Certificate of Compliance, [click here](#)

Please visit the [Contact Us](#) section for any non-product compliance questions.

Search Parts in this Series

[35363Series](#)

Mates With

[35507 Sherlock™ Wire-to-Board Housing](#)

Reference - Drawing Numbers

Packaging Specification

Product Specification

Sales Drawing

PK-35363-002

PS-35507-003, RPS-35507-005, RPS-35507-007,
RPS-35507-009, RPS-35507-010, RPS-35507-011

SD-35363-002

This document was generated on 06/07/2010

PLEASE CHECK WWW.MOLEX.COM FOR LATEST PART INFORMATION

LEAD FREE

DWG. NO. SD-35363-002

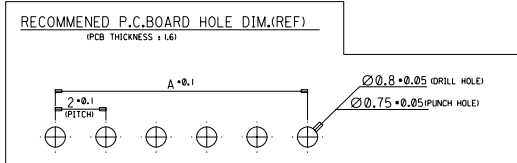
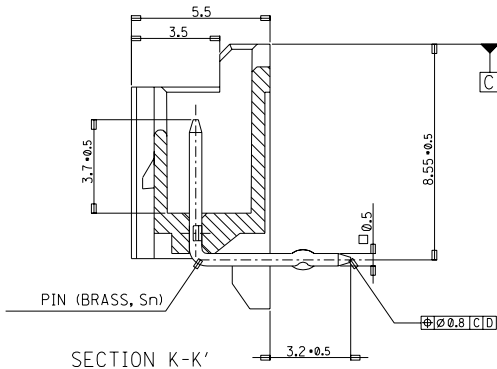
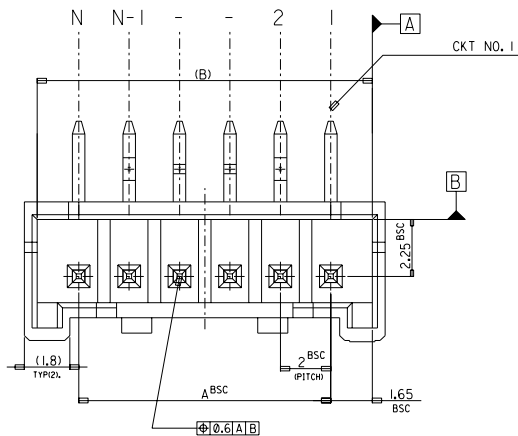
SIMILAR ITEM

PROJECT NO.

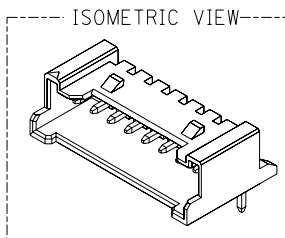
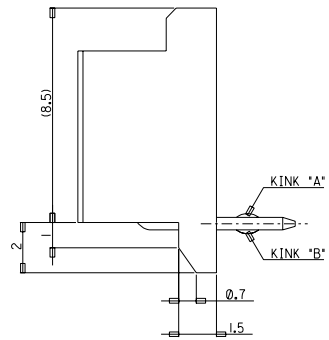
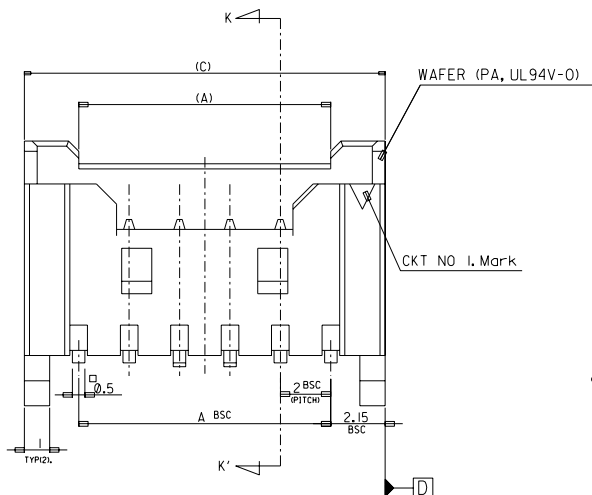
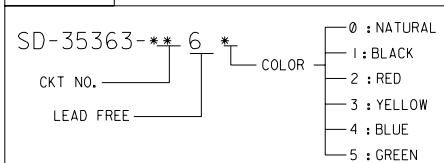
C

B

DO NOT SCALE DRAWING
DIMENSION IN METRIC



LEGEND



32.3	31.3	28	-156*	-156*	15
30.3	29.3	26	-146*	-146*	14
28.3	27.3	24	-136*	-136*	13
26.3	25.3	22	-126*	-126*	12
24.3	23.3	20	-116*	-116*	11
22.3	21.3	18	-106*	-106*	10
20.3	19.3	16	-096*	-096*	9
18.3	17.3	14	-086*	-086*	8
16.3	15.3	12	-076*	-076*	7
14.3	13.3	10	-066*	-066*	6
12.3	12.3	8	-056*	-056*	5
10.3	9.3	6	35363046*	35363-046*	4
(C)	(B)	A	MATERIAL NO.	ENG. NO.	CKT

- NOTES
- MATERIAL : WAFER : POLYAMIDE(PA), NO GLASS, UL94V-0
PIN : BRASS
 - FINISHES : TERMINAL : Sn 2*3um OVERALL
 - PRODUCT SPECIFICATION : PS-35507-003
 - MATING HOUSING : 35507-**-0*
MATING TERMINAL : 50212-8000
 - KINK

CKT NO	1	2	3	4	5	N-2	N-1	N
6 CKT OVER	-	A	B	-	-	B	A	-
5 CKT	A	B	-	B	A			
4 CKT	A	B	B	A				

30 over	±0.3
10 over 30 under	±0.25
10 under	±0.2
ANGLE	±3°
GENERAL TOLERANCE	

Release
EC NO. KOR2004-037
DRWN: YSOOKIM 04/02/24
CHK: JKOH
APPR: CWLEE

MAJOR
CRITICAL

QUALITY SYMBOLS

GENERAL TOLERANCES: (UNLESS SPECIFIED)

	mm	INCH
4 PLACES	±0.	±.
3 PLACES	±0.	±.
2 PLACES	±0.	±.
1 PLACE	±0.	±.

ANGULAR: ±

DRAFT WHERE APPLICABLE MUST REMAIN WITHIN DIMENSIONS

SCALE 1:1	DESIGN UNITS <input checked="" type="checkbox"/> mm <input type="checkbox"/> INCH	DIMENSIONS: <input type="checkbox"/> mm <input type="checkbox"/> INCH <input checked="" type="checkbox"/> mm ONLY	SHT	REV
DRAWN BY & DATE YSOOKIM 96/09/11		THIRD ANGLE PROJECTION		
CHECKED BY & DATE J.K.Oh 96/09/11		TITLE: NEW 2.0 W/B CONN WAFER ASSY (R/A) (LEAD FREE)		
APPROVED BY & DATE C.W.Lee 96/09/11		MOLEX MOLEX INCORPORATED		
CAD FILENAME SD35363-002S1.DGN	MATERIAL NO. SEE NOTE	DRAWING NO. SD-35363-002	SHEET NO. 1 OF 3	
THIS DRAWING CONTAINS INFORMATION THAT IS PROPRIETARY TO MOLEX INCORPORATED AND SHOULD NOT BE USED WITHOUT WRITTEN PERMISSION.				SIZE B

A

B

C

D

E

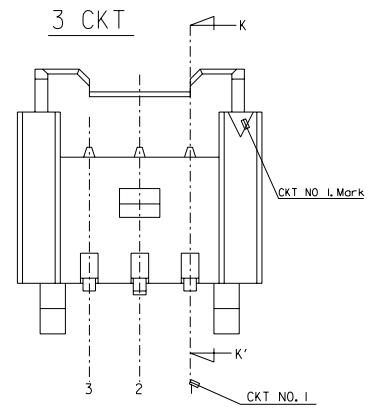
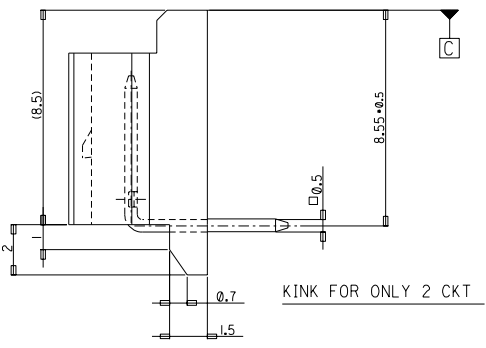
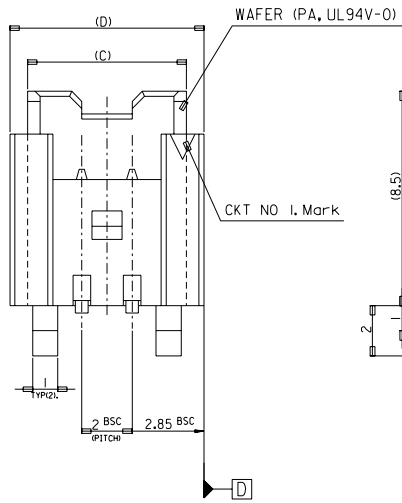
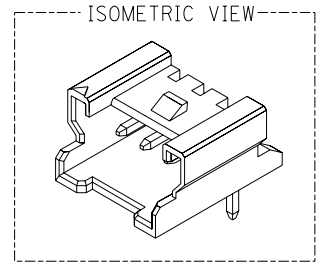
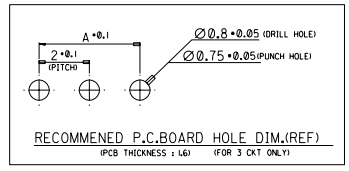
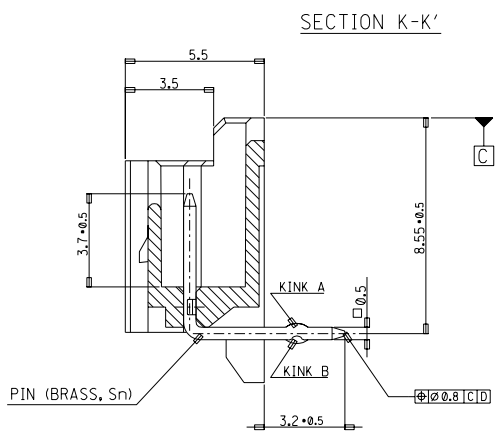
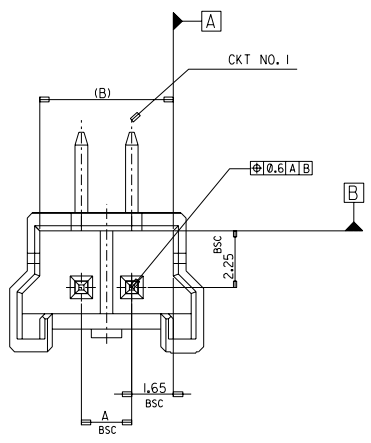
F

DWG. NO. SD-35363-002
 SIMILAR ITEM
 PROJECT NO.
 C
 B
 DO NOT SCALE DRAWING DIMENSION IN METRIC

8 7 6 5 4 3 2

LEAD FREE

FOR 2 & 3 CKTS.



LEGEND

SD-35363-***6* COLOR

- 0 : NATURAL
- 1 : BLACK
- 2 : RED
- 3 : YELLOW
- 4 : BLUE
- 5 : GREEN

9.7	8.3	7.3	4	35363036*	-036*	3
7.7	6.3	5.3	2	35363026*	35363-026*	2
(D)	(C)	(B)	A	MATERIAL NO.	ENG. NO.	CKT

- NOTES**
- MATERIAL : WAFER : POLYAMIDE(PA), NO GLASS, UL94V-0
PIN : BRASS
 - FINISHES : TERMINAL : Sn 2+3um OVERALL
 - PRODUCT SPECIFICATION : PS-35507-003
 - MATING HOUSING : 35507-***0*
MATING TERMINAL : 50212-8000
 - KINK

CKT NO	1	2	3
2 CKT	NONE	KINK	
3 CKT	A	B	A

30 over	+0.3
10 over 30 under	±0.25
10 under	±0.2
ANGLE	±3°
GENERAL TOLERANCE	A

Release
 EC NO. KOR2004-0137
 DRWN: YSOOKIM 04/02/24
 CHK: JKOH
 APPR: CWLEE

MAJOR
 CRITICAL

DESCRIPTION

REV

QUALITY SYMBOLS

GENERAL TOLERANCES: (UNLESS SPECIFIED)

	mm	INCH
4 PLACES	±0.	±.
3 PLACES	±0.	±.
2 PLACES	±0.	±.
1 PLACE	±0.	±.

ANGULAR: ±

DRAFT WHERE APPLICABLE MUST REMAIN WITHIN DIMENSIONS

SCALE 1:1

DESIGN UNITS mm INCH

THIRD ANGLE PROJECTION

DIMENSIONS: mm INCH mm ONLY

SHT REV

REVISE ON CAD ONLY

DRAWN BY & DATE
YSOOKIM 96/09/11

CHECKED BY & DATE
J.K.Oh 96/09/11

APPROVED BY & DATE
C.W.Lee 96/09/11

CAD FILENAME
SD35363-001S2.DGN

TITLE:
NEW 2.0 W/B CONN
WAFER ASSY (R/A) (LEAD FREE)

MATERIAL NO. SEE NOTE

DRAWING NO. SD-35363-002

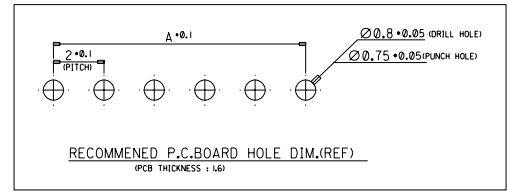
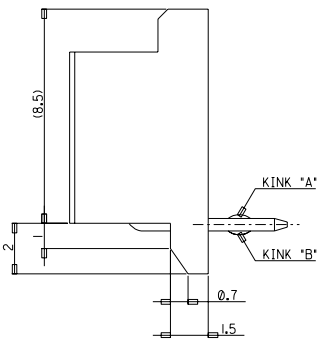
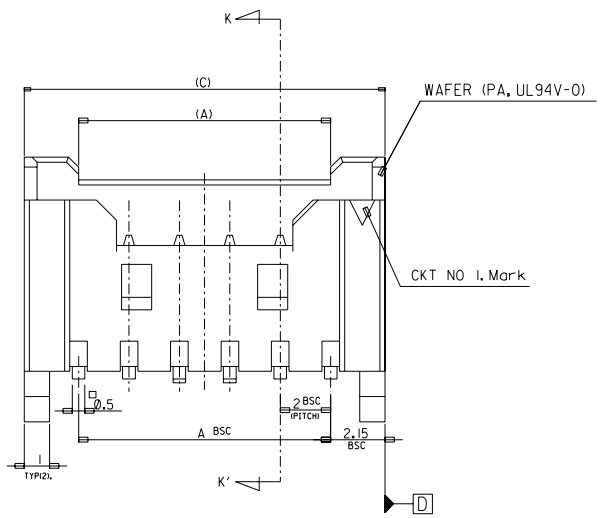
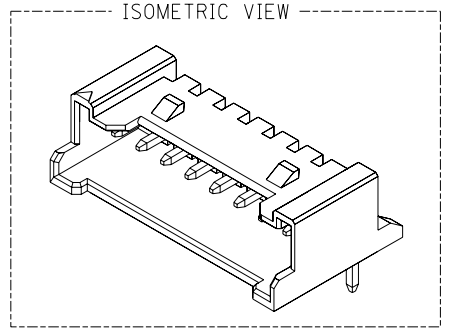
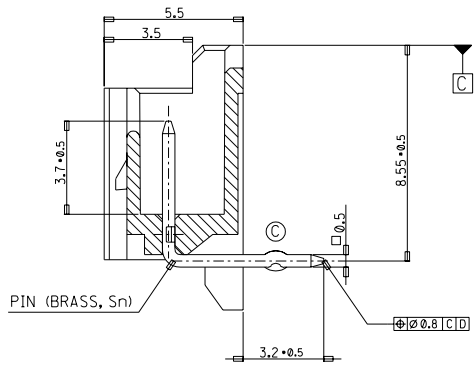
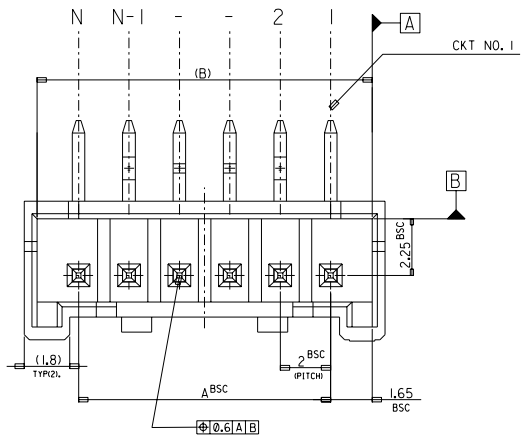
SHEET NO. 2 OF 3

THIS DRAWING CONTAINS INFORMATION THAT IS PROPRIETARY TO MOLEX INCORPORATED AND SHOULD NOT BE USED WITHOUT WRITTEN PERMISSION.

SIZE B

8 7 6 5 4 3 2 MX-A3

LEAD FREE



LEGEND	
SD-35363-**6*	COLOR
0	NATURAL
1	BLACK
2	RED
3	YELLOW
4	BLUE
5	GREEN

42.3	41.3	38	35363206*	35363-206*	20
(C)	(B)	A	MATERIAL NO.	ENG. NO.	CKT

- NOTES
- MATERIAL : WAFER : POLYAMIDE(PA), NO GLASS, UL94V-0
PIN : BRASS
 - FINISHES : TERMINAL : Sn 2±3um OVERALL
 - PRODUCT SPECIFICATION : PS-35507-003
 - MATING HOUSING : 35507-**-0
MATING TERMINAL : 50212-8000
 - KINK

CKT NO	1	2	3	4	N-3	N-2	N-1	N
20	-	A	B	-	-	B	A	-

30 over	±0.3
10 over 30 under	±0.25
10 under	±0.2
ANGLE	±3°
GENERAL TOLERANCE	

Release	EC NO.	MAJOR	QUALITY SYMBOLS
KOR2004-0137		CRITICAL	
DRWN: YSOOKIM 04/02/24			
CHK: JKOH			
APPR: CWLEE			
REV	A		

GENERAL TOLERANCES: (UNLESS SPECIFIED)	
mm	INCH
4 PLACES	±0.1
3 PLACES	±0.1
2 PLACES	±0.1
1 PLACE	±0.1
ANGULAR: ±	
DRAFT WHERE APPLICABLE MUST REMAIN WITHIN DIMENSIONS	

SCALE 1:1	DESIGN UNITS <input checked="" type="checkbox"/> mm <input type="checkbox"/> INCH
DRAWN BY & DATE	
Y.SOOKIM 98/04/23	
CHECKED BY & DATE	
J.K.Oh 98/04/23	
APPROVED BY & DATE	
C.W.Lee 98/04/23	
CAD FILENAME	SD35363-002S3.DGN

DIMENSIONS: <input type="checkbox"/> mm <input type="checkbox"/> INCH <input checked="" type="checkbox"/> mm ONLY		SHT	REV
THIRD ANGLE PROJECTION			
TITLE: NEW 2.0 W/B CONN WAFER ASSY (R/A) (LEAD FREE)			
MOLEX INCORPORATED			
CAD FILENAME	MATERIAL NO.	DRAWING NO.	SHEET NO.
SD35363-002S3.DGN	SEE NOTE	SD-35363-002	3 OF 3
THIS DRAWING CONTAINS INFORMATION THAT IS PROPRIETARY TO MOLEX INCORPORATED AND SHOULD NOT BE USED WITHOUT WRITTEN PERMISSION.			SIZE B

DO NOT SCALE DRAWING DIMENSION IN METRIC

PROJECT NO. SIMILAR ITEM DWG. NO. SD-35363-002

F E D C B A